

## Vertical Shiplap Weatherboard - 45mm Cavity on Flexible Underlay

Drawing	Sheet Name	Date
<b>Typical Details</b>		
RKV45-FU-00	Index V1	02.04.2019
RKV45-FU-REF	Batten Setout	02.04.2019
RKV-SETOUT	Weatherboard Setout	02.04.2019
RKV45-BATT	RKV 45mm Cavity Battens	02.04.2019
RKV45-FLG	RKV 45mm Cavity Flashings	02.04.2019
RKFASCIA	Fascia Profiles	02.04.2019
RKMOULD 01	RK Profiles	02.04.2019
RKMOULD 02	RK Profiles	02.04.2019
RKMOULD 03	RK Corners in Use	02.04.2019
RKNAIL	RK Nails	02.04.2019
<b>Window Details</b>		
RKV45-FU-01	Aluminium Head Detail	02.04.2019
RKV45-FU-01A	3D Aluminium Head Detail	02.04.2019
RKV45-FU-02	Aluminium Jamb Detail	02.04.2019
RKV45-FU-02A	3D Aluminium Jamb Detail	02.04.2019
RKV45-FU-02B	Aluminium Jamb Detail	02.04.2019
RKV45-FU-03	Aluminium Sill Detail	02.04.2019
RKV45-FU-03A	3D Aluminium Sill Detail	02.04.2019
<b>Internal Corner Details</b>		
RKV45-FU-11	Internal Corner Detail - Option 1	02.04.2019
RKV45-FU-12	Internal Corner Detail - Option 2	02.04.2019
<b>External Corner Details</b>		
RKV45-FU-21	External Corner Detail - Option 1	02.04.2019
RKV45-FU-22	External Corner Detail - Option 2	02.04.2019
RKV45-FU-23	External Corner Detail - Option 3	02.04.2019
RKV45-FU-24	External Corner Detail - Option 4	02.04.2019
RKV45-FU-25	External Corner Detail - Option 5	02.04.2019
RKV45-FU-26	External Corner Detail - Option 6	02.04.2019
RKV45-FU-27	External Corner Detail - Option 7	02.04.2019
RKV45-FU-28	External Corner Detail - Option 8	02.04.2019
RKV45-FU-30	External Corner Detail - Option 9	02.04.2019
<b>Horizontal Details</b>		
RKV45-FU-31	Pipe Penetration Detail	02.04.2019
<b>Vertical Details</b>		
RKV45-FU-41	Bottom Plate Detail	02.04.2019
RKV45-FU-42	Top Plate to Soffit Detail	02.04.2019
RKV45-FU-43	Barge Detail	02.04.2019
RKV45-FU-44	Soffit Detail	02.04.2019
RKV45-FU-45	Parapet Detail	02.04.2019
RKV45-FU-46	Scarf Joint Detail	02.04.2019
RKV45-FU-47	Structural Cavity Batten Detail	02.04.2019
RKV45-FU-48	Batten Details	02.04.2019
RKV45-FU-51	Nail Fixing Detail	02.04.2019
RKV45-FU-52	Nail Fixing Detail (Paint Finish Only)	02.04.2019



www.rosenfeldkidson.co.nz

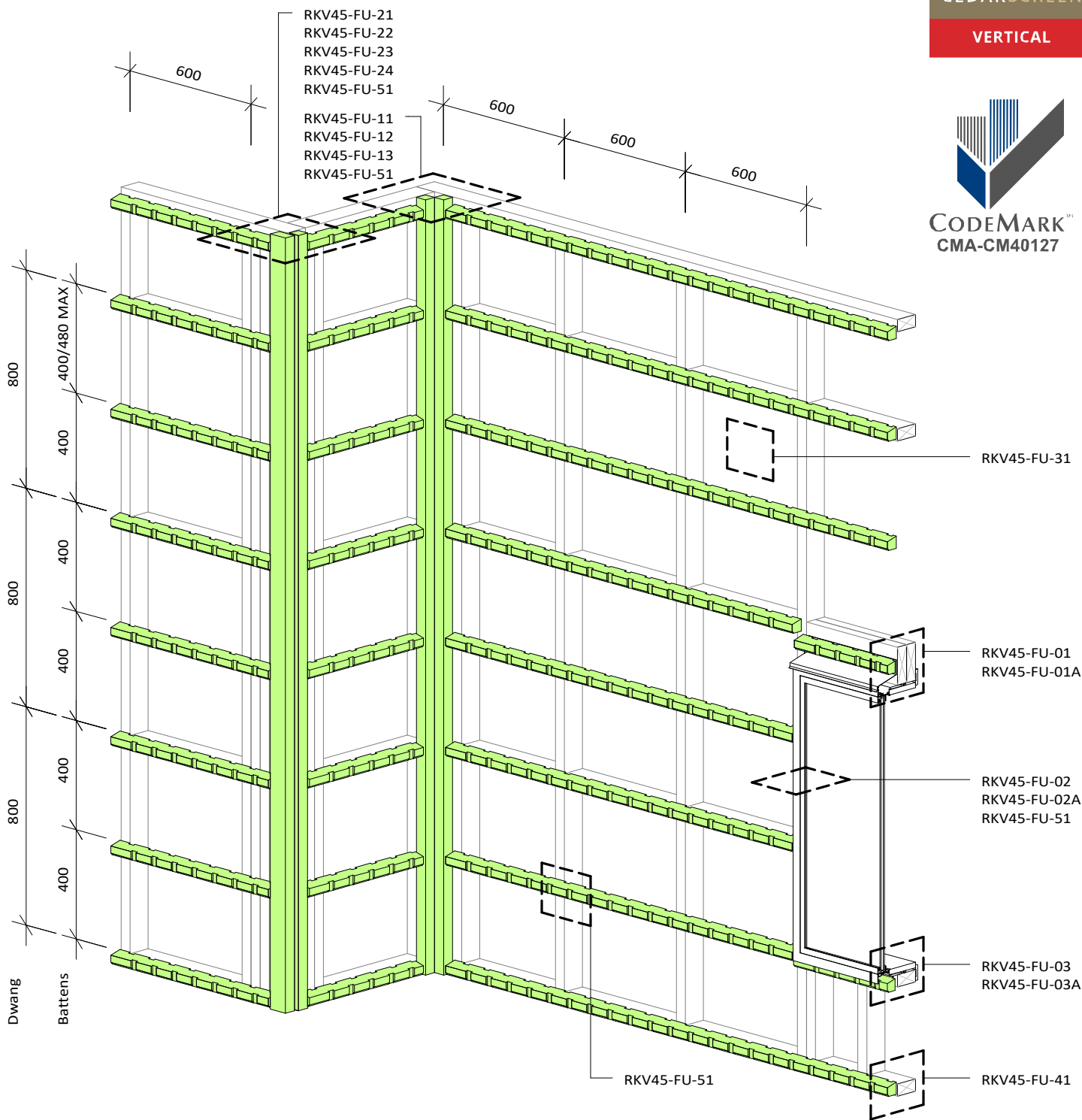
Postal address: PO Box 621,  
Shortland Street, Auckland 1140

**Auckland Branch:**  
T: +64 9 573 0503  
F: +64 9 573 0504  
513 Mt Wellington Highway  
Mt Wellington, Auckland 1060

**Christchurch Branch:**  
T: +64 3 349 3316  
F: +64 3 349 3317  
15 Edmonton Road  
Hornby, Christchurch 8042

Title	<b>Index V1</b>
Drawing	<b>RKV45-FU-00</b>
Scale	@ A4
Date	02.04.2019

1. Scope as per Clauses 1.0 and 9.4 E2/AS1
2. Profiles as per NZS 3617 Branz Bulletin 411
3. Fixings as per Table 24 E2/AS1
4. Compatibility of materials as per Tables 20-22 E2/AS1
5. Flashing as per Clause 4.0 E2/AS1
6. Rigid and flexible underlay as per Table 23 and Clauses 9.1.5 to 9.1.7 E2/AS1 or proprietary approved alternative
7. All weatherboards to be factory oiled to all faces and weathergrooves prior to installation use and maintain with Dryden products only.
8. The weatherboard system relies on the joinery meeting the requirements of NZS 4211 for the relevant building windzone or wind pressure.
9. Timber to NZBC B2 Durability B2.3.1 (b), Western Red Cedar, Larch and Truwood®



www.rosenfeldkidson.co.nz

Postal address: PO Box 621,  
Shortland Street, Auckland 1140

**Auckland Branch:**

T: +64 9 573 0503  
F: +64 9 573 0504  
513 Mt Wellington Highway  
Mt Wellington, Auckland 1060

**Christchurch Branch:**

T: +64 3 349 3316  
F: +64 3 349 3317  
15 Edmonton Road  
Hornby, Christchurch 8042

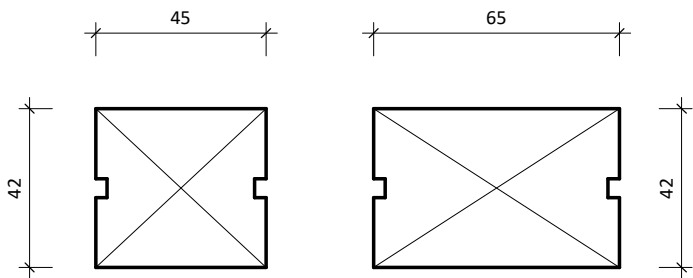
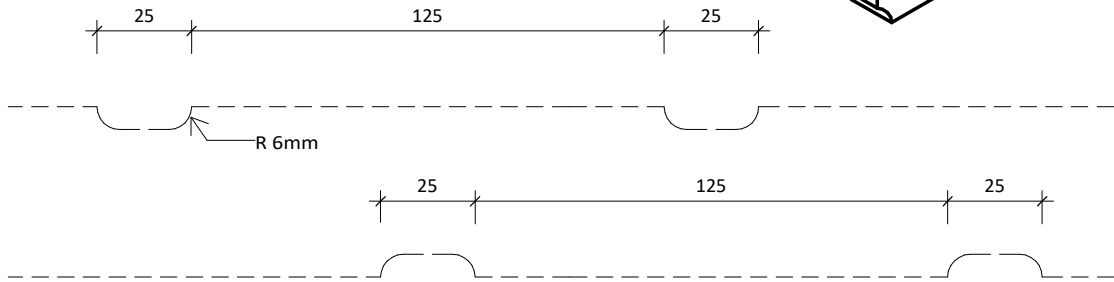
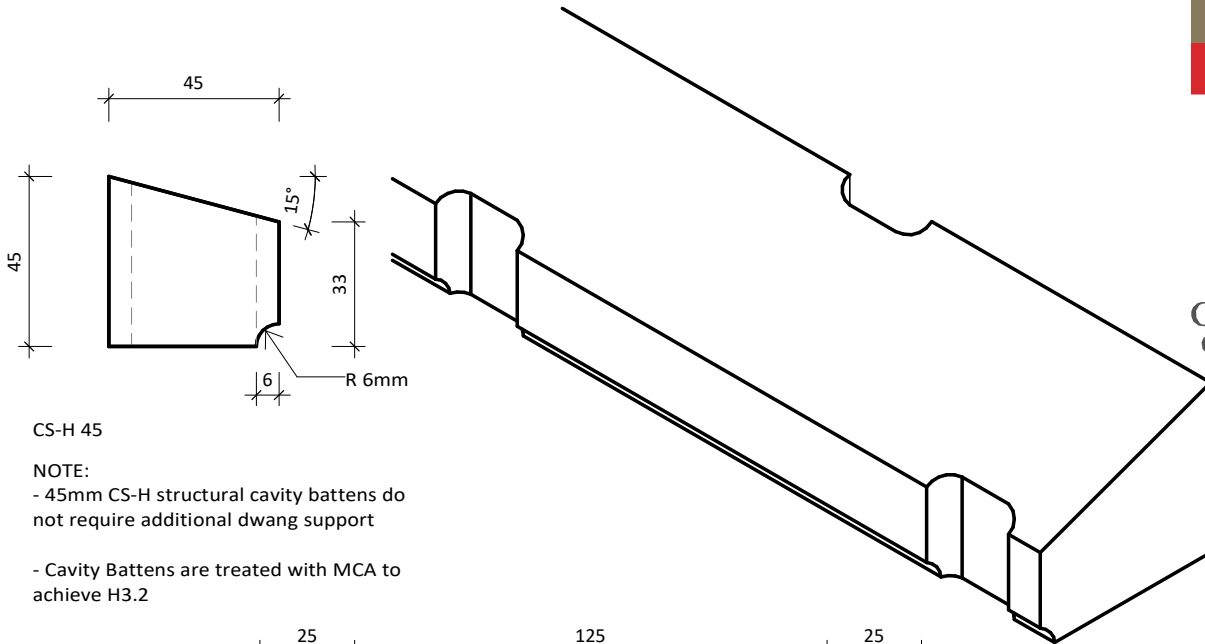
Title **Batten Setout**

Drawing **RKV45-FU-REF**

Scale 1 : 20 @ A4 Date 02.04.2019



1. Scope as per Clauses 1.0 and 9.4 E2/AS1
2. Profiles as per NZS 3617 Branz Bulletin 411
3. Fixings as per Table 24 E2/AS1
4. Compatibility of materials as per Tables 20-22 E2/AS1
5. Flashing as per Clause 4.0 E2/AS1
6. Rigid and flexible underlay as per Table 23 and Clauses 9.1.5 to 9.1.7 E2/AS1 or proprietary approved alternative
7. All weatherboards to be factory oiled to all faces and weathergrooves prior to installation use and maintain with Dryden products only.
8. The weatherboard system relies on the joinery meeting the requirements of NZS 4211 for the relevant building windzone or wind pressure.
9. Timber to NZBC B2 Durability B2.3.1 (b), Western Red Cedar, Larch and Truwood®



CS-V 45

CS-V 45



www.rosenfeldkidson.co.nz

Postal address: PO Box 621,  
Shortland Street, Auckland 1140

**Auckland Branch:**  
 T: +64 9 573 0503  
 F: +64 9 573 0504  
 513 Mt Wellington Highway  
 Mt Wellington, Auckland 1060

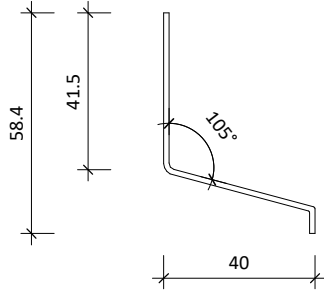
**Christchurch Branch:**  
 T: +64 3 349 3316  
 F: +64 3 349 3317  
 15 Edmonton Road  
 Hornby, Christchurch 8042

Title **RKV 45mm Cavity Battens**

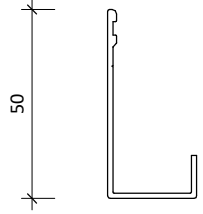
Drawing **RKV45-BATT**

Scale 1 : 2 @ A4 Date 02.04.2019

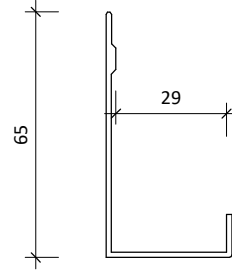
1. Scope as per Clauses 1.0 and 9.4 E2/AS1
2. Profiles as per NZS 3617 Branz Bulletin 411
3. Fixings as per Table 24 E2/AS1
4. Compatibility of materials as per Tables 20-22 E2/AS1
5. Flashing as per Clause 4.0 E2/AS1
6. Rigid and flexible underlay as per Table 23 and Clauses 9.1.5 to 9.1.7 E2/AS1 or proprietary approved alternative
7. All weatherboards to be factory oiled to all faces and weathergrooves prior to installation use and maintain with Dryden products only.
8. The weatherboard system relies on the joinery meeting the requirements of NZS 4211 for the relevant building windzone or wind pressure.
9. Timber to NZBC B2 Durability B2.3.1 (b), Western Red Cedar, Larch and Truwood®



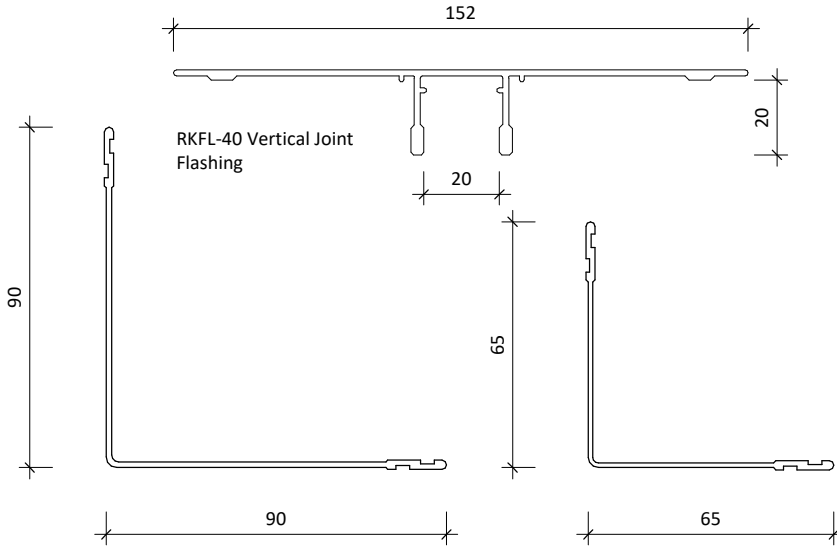
RKFL-14 41.50x40mm Cavity closer. Tack cavity closer @ 600mm crs



RKFL11-18.5 powder coated aluminium jamb flashing.



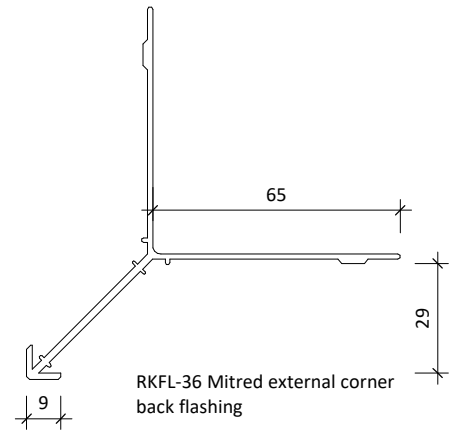
RKFL-17 powder coated aluminium jamb flashing.



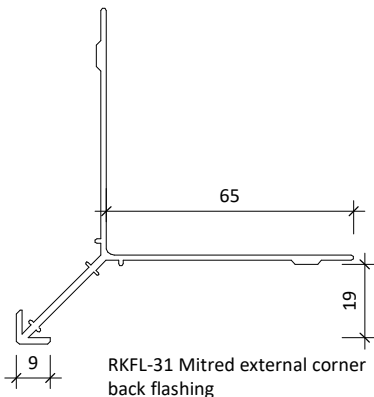
RKFL-40 Vertical Joint Flashing

90x90mm internal/ external corner back flashing

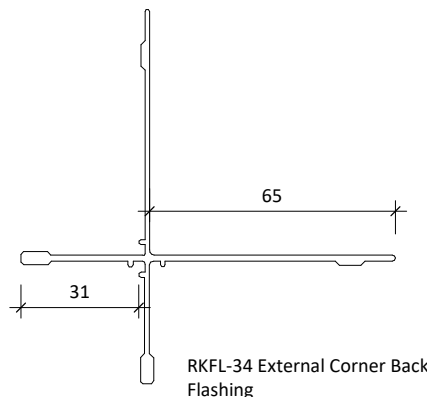
65x65mm internal/ external corner back flashing



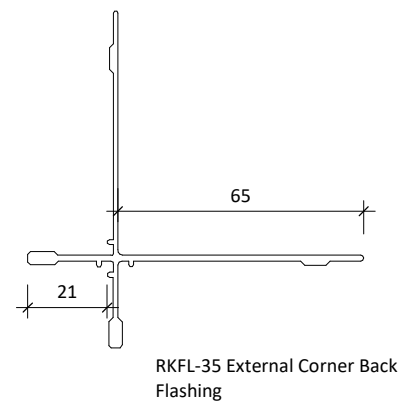
RKFL-36 Mitred external corner back flashing



RKFL-31 Mitred external corner back flashing



RKFL-34 External Corner Back Flashing



RKFL-35 External Corner Back Flashing



www.rosenfeldkidson.co.nz

Postal address: PO Box 621,  
Shortland Street, Auckland 1140

**Auckland Branch:**  
T: +64 9 573 0503  
F: +64 9 573 0504  
513 Mt Wellington Highway  
Mt Wellington, Auckland 1060

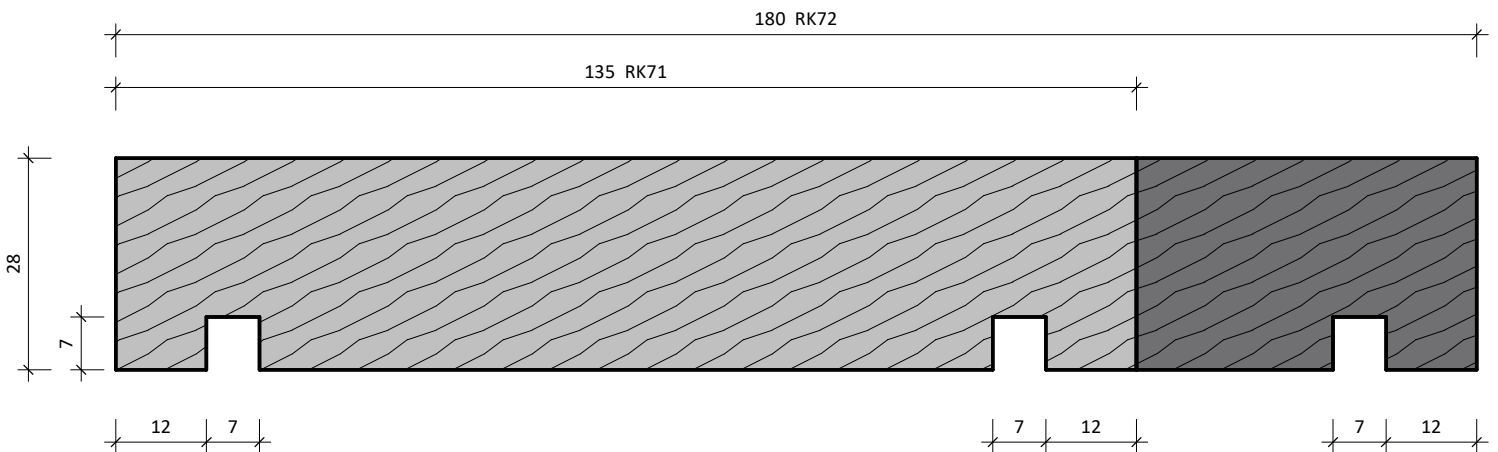
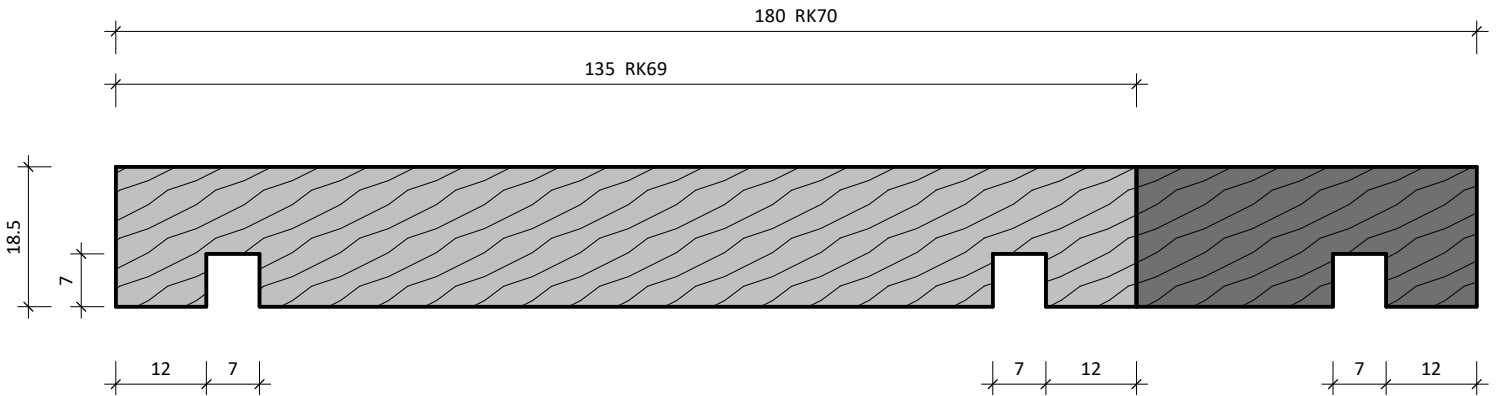
**Christchurch Branch:**  
T: +64 3 349 3316  
F: +64 3 349 3317  
15 Edmonton Road  
Hornby, Christchurch 8042

Title **RKV 45mm Cavity Flashings**

Drawing **RKV45-FLG**

Scale 1 : 2 @ A4 Date 02.04.2019

1. Scope as per Clauses 1.0 and 9.4 E2/AS1
2. Profiles as per NZS 3617 Branz Bulletin 411
3. Fixings as per Table 24 E2/AS1
4. Compatibility of materials as per Tables 20-22 E2/AS1
5. Flashing as per Clause 4.0 E2/AS1
6. Rigid and flexible underlay as per Table 23 and Clauses 9.1.5 to 9.1.7 E2/AS1 or proprietary approved alternative
7. All weatherboards to be factory oiled to all faces and weathergrooves prior to installation use and maintain with Dryden products only.
8. The weatherboard system relies on the joinery meeting the requirements of NZS 4211 for the relevant building windzone or wind pressure.
9. Timber to NZBC B2 Durability B2.3.1 (b), Western Red Cedar, Larch and Truwood®



[www.rosenfeldkidson.co.nz](http://www.rosenfeldkidson.co.nz)

Postal address: PO Box 621,  
Shortland Street, Auckland 1140

**Auckland Branch:**

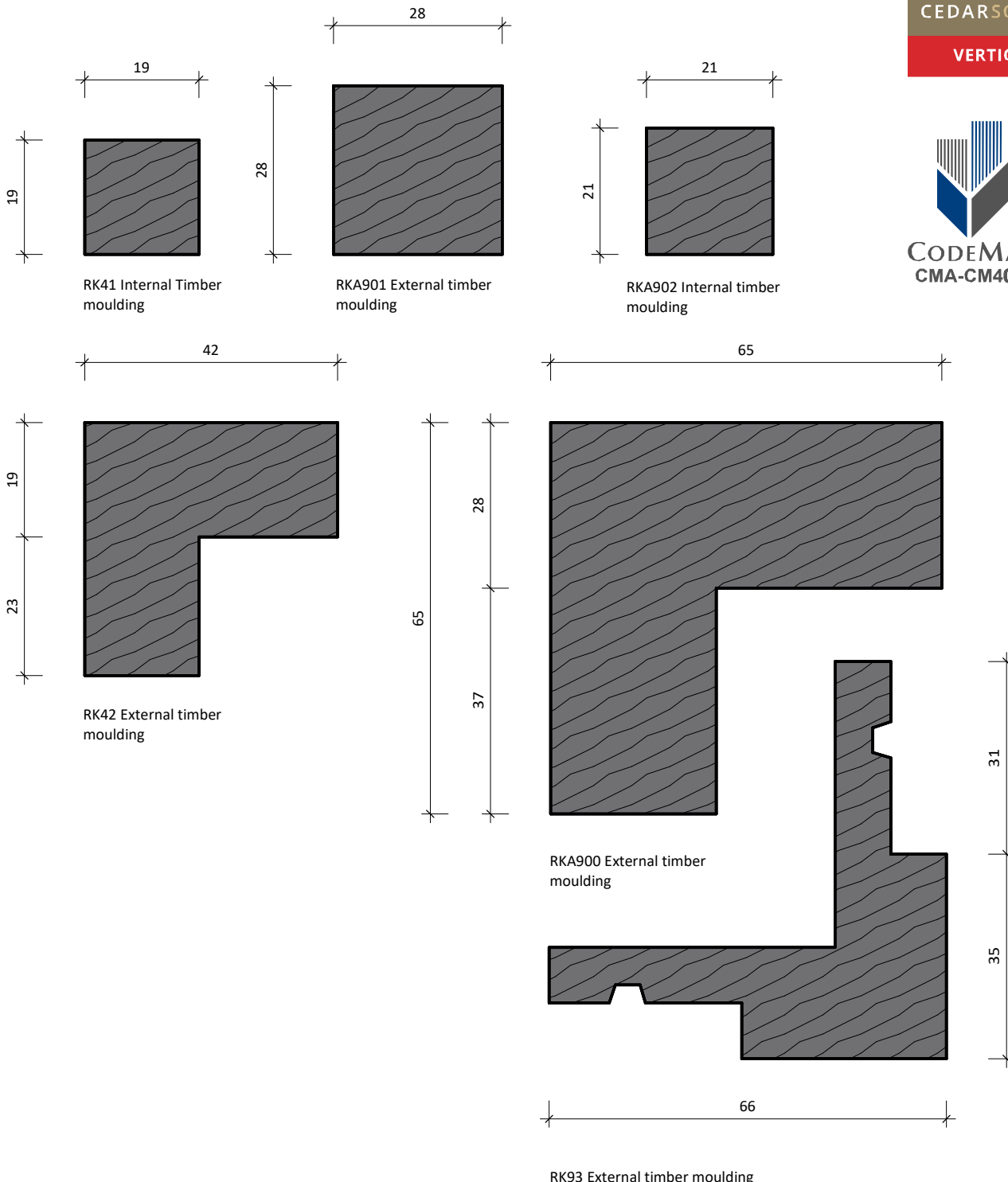
T: +64 9 573 0503  
F: +64 9 573 0504  
513 Mt Wellington Highway  
Mt Wellington, Auckland 1060

**Christchurch Branch:**

T: +64 3 349 3316  
F: +64 3 349 3317  
15 Edmonton Road  
Hornby, Christchurch 8042

Title	<b>Fascia Profiles</b>		
Drawing	<b>RKFASCIA</b>		
Scale	1 : 1 @ A4	Date	02.04.2019

1. Scope as per Clauses 1.0 and 9.4 E2/AS1
2. Profiles as per NZS 3617 Branz Bulletin 411
3. Fixings as per Table 24 E2/AS1
4. Compatibility of materials as per Tables 20-22 E2/AS1
5. Flashing as per Clause 4.0 E2/AS1
6. Rigid and flexible underlay as per Table 23 and Clauses 9.1.5 to 9.1.7 E2/AS1 or proprietary approved alternative
7. All weatherboards to be factory oiled to all faces and weathergrooves prior to installation use and maintain with Dryden products only.
8. The weatherboard system relies on the joinery meeting the requirements of NZS 4211 for the relevant building windzone or wind pressure.
9. Timber to NZBC B2 Durability B2.3.1 (b), Western Red Cedar, Larch and Truwood®



**Options:**

- DF (Dressed face)
- BSF (Band sawn face)



www.rosenfeldkidson.co.nz

Postal address: PO Box 621,  
Shortland Street, Auckland 1140

**Auckland Branch:**

T: +64 9 573 0503  
F: +64 9 573 0504  
513 Mt Wellington Highway  
Mt Wellington, Auckland 1060

**Christchurch Branch:**

T: +64 3 349 3316  
F: +64 3 349 3317  
15 Edmonton Road  
Hornby, Christchurch 8042

Title **RK Profiles**

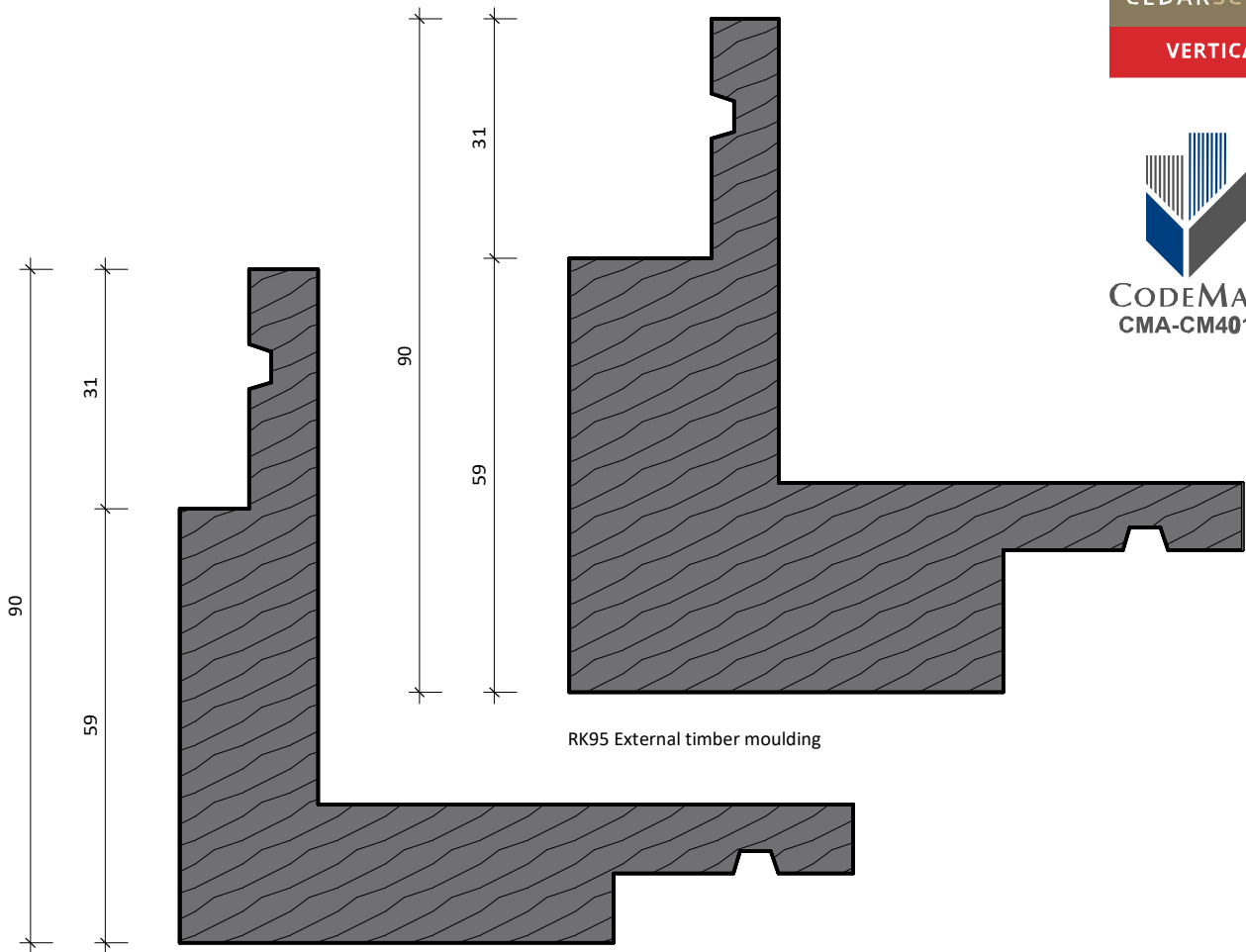
Drawing

**RKMOULD 01**

Scale 1 : 1 @ A4

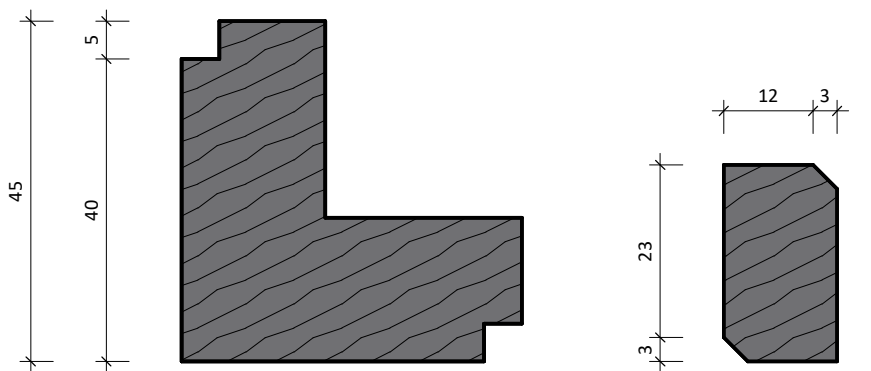
Date 02.04.2019

1. Scope as per Clauses 1.0 and 9.4 E2/AS1
2. Profiles as per NZS 3617 Branz Bulletin 411
3. Fixings as per Table 24 E2/AS1
4. Compatibility of materials as per Tables 20-22 E2/AS1
5. Flashing as per Clause 4.0 E2/AS1
6. Rigid and flexible underlay as per Table 23 and Clauses 9.1.5 to 9.1.7 E2/AS1 or proprietary approved alternative
7. All weatherboards to be factory oiled to all faces and weathergrooves prior to installation use and maintain with Dryden products only.
8. The weatherboard system relies on the joinery meeting the requirements of NZS 4211 for the relevant building windzone or wind pressure.
9. Timber to NZBC B2 Durability B2.3.1 (b), Western Red Cedar, Larch and Truwood®



RK94 External timber moulding

RK95 External timber moulding



RK97 External timber moulding

RK33 Scotia mould

Options:

- DF (Dressed face)
- BSF (Band sawn face)



[www.rosenfeldkidson.co.nz](http://www.rosenfeldkidson.co.nz)

Postal address: PO Box 621,  
Shortland Street, Auckland 1140

Auckland Branch:

T: +64 9 573 0503  
F: +64 9 573 0504  
513 Mt Wellington Highway  
Mt Wellington, Auckland 1060

Christchurch Branch:

T: +64 3 349 3316  
F: +64 3 349 3317  
15 Edmonton Road  
Hornby, Christchurch 8042

Title **RK Profiles**

Drawing

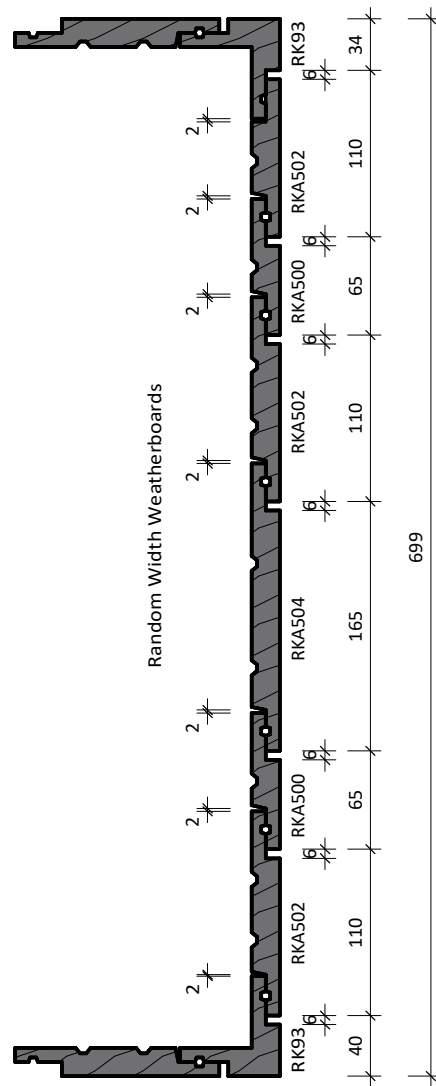
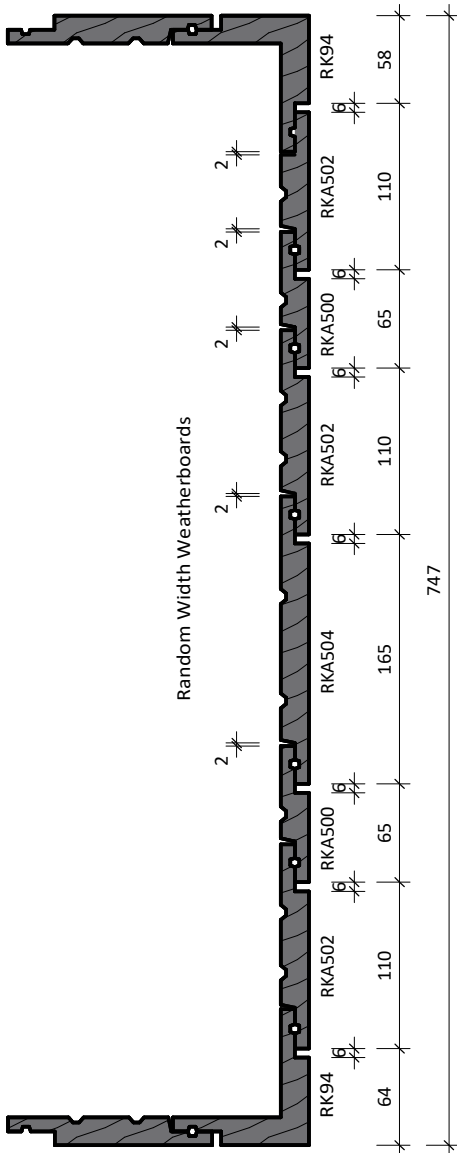
**RKMOULD 02**

Scale 1 : 1 @ A4

Date 02.04.2019



1. Scope as per Clauses 1.0 and 9.4 E2/AS1
2. Profiles as per NZS 3617 Branz Bulletin 411
3. Fixings as per Table 24 E2/AS1
4. Compatibility of materials as per Tables 20-22 E2/AS1
5. Flashing as per Clause 4.0 E2/AS1
6. Rigid and flexible underlay as per Table 23 and Clauses 9.1.5 to 9.1.7 E2/AS1 or proprietary approved alternative
7. All weatherboards to be factory oiled to all faces and weathergrooves prior to installation use and maintain with Dryden products only.
8. The weatherboard system relies on the joinery meeting the requirements of NZS 4211 for the relevant building windzone or wind pressure.
9. Timber to NZBC B2 Durability B2.3.1 (b), Western Red Cedar, Larch and Truwood®



www.rosenfeldkidson.co.nz

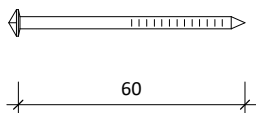
Postal address: PO Box 621,  
Shortland Street, Auckland 1140

**Auckland Branch:**  
T: +64 9 573 0503  
F: +64 9 573 0504  
513 Mt Wellington Highway  
Mt Wellington, Auckland 1060

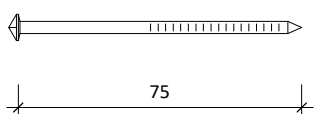
**Christchurch Branch:**  
T: +64 3 349 3316  
F: +64 3 349 3317  
15 Edmonton Road  
Hornby, Christchurch 8042

Title	RK Corners in Use		
Drawing	RKMould 03		
Scale	1 : 5 @ A4	Date	02.04.2019

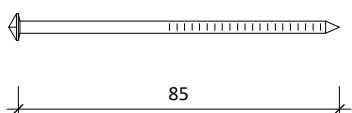
1. Scope as per Clauses 1.0 and 9.4 E2/AS1
2. Profiles as per NZS 3617 Branz Bulletin 411
3. Fixings as per Table 24 E2/AS1
4. Compatibility of materials as per Tables 20-22 E2/AS1
5. Flashing as per Clause 4.0 E2/AS1
6. Rigid and flexible underlay as per Table 23 and Clauses 9.1.5 to 9.1.7 E2/AS1 or proprietary approved alternative
7. All weatherboards to be factory oiled to all faces and weathergrooves prior to installation use and maintain with Dryden products only.
8. The weatherboard system relies on the joinery meeting the requirements of NZS 4211 for the relevant building windzone or wind pressure.
9. Timber to NZBC B2 Durability B2.3.1 (b), Western Red Cedar, Larch and Truwood®



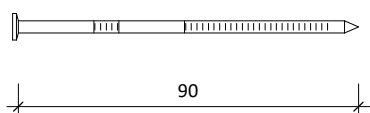
60 x 3.15mm For fixing weatherboard into structural battens only.



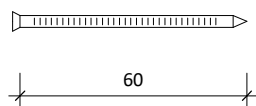
Flexible underlay 75 x 3.15mm



Rigid underlay 85 x 3.15mm

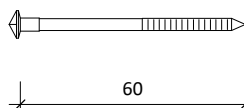


Structural batten fixing.  
90 x 3.30mm Stainless steel 316 Annular groove

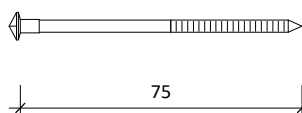


Cavity fixed 60 x 3.30mm Stainless steel nail  
Jolthead nail for paint finish weatherboards.

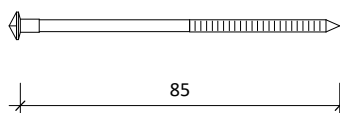
RK Plug Nail Range



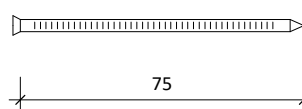
Cedarscreen Plug Nail 60 x 3.15mm



Cedarscreen Plug Nail 75 x 3.15mm



Cedarscreen Plug Nail 85 x 3.15mm



Cavity fixed 75 x 3.30mm Stainless steel nail  
Jolthead nail for paint finish weatherboards.



Options:

- Silicon bronze annular grooved
- Stainless steel 316 grade annular grooved
- All fixings to be annular groove



www.rosenfeldkidson.co.nz

Postal address: PO Box 621,  
Shortland Street, Auckland 1140

**Auckland Branch:**  
T: +64 9 573 0503  
F: +64 9 573 0504  
513 Mt Wellington Highway  
Mt Wellington, Auckland 1060

**Christchurch Branch:**  
T: +64 3 349 3316  
F: +64 3 349 3317  
15 Edmonton Road  
Hornby, Christchurch 8042

Title **RK Nails**

Drawing **RKNAIL**

Scale 1 : 2 @ A4 Date 02.04.2019

1. Scope as per Clauses 1.0 and 9.4 E2/AS1
2. Profiles as per NZS 3617 Branz Bulletin 411
3. Fixings as per Table 24 E2/AS1
4. Compatibility of materials as per Tables 20-22 E2/AS1
5. Flashing as per Clause 4.0 E2/AS1
6. Rigid and flexible underlay as per Table 23 and Clauses 9.1.5 to 9.1.7 E2/AS1 or proprietary approved alternative
7. All weatherboards to be factory oiled to all faces and weathergrooves prior to installation use and maintain with Dryden products only.
8. The weatherboard system relies on the joinery meeting the requirements of NZS 4211 for the relevant building windzone or wind pressure.
9. Timber to NZBC B2 Durability B2.3.1 (b), Western Red Cedar, Larch and Truwood®



CS-H 45 Horizontal timber cavity batten. Fixed horizontal @ 400 - 480mm crs max. Structurally fixed to vertical framing @ 600 crs max

75mm Cover to flashing for extra high wind zones

For very high and extra high wind zone only head flashing is bedded on continuous bead of sealant. Refer Page 104 fig 71 E2/AS1 Flexible flashing tape over flexible wall underlay. As per Clause 9.1.5 (a) (b) and figure 72A and 72B E2/AS1

Window joinery supplied by others

Line of jamb scriber

Flexible wall underlay. As per Table 23 and Clause 9.1.5 to 9.1.7.1 E2/AS1

RK55 Vertical shi lap weatherboard  
Flashing tape over head flashing

Timber framing

Internal wall lining

RKFL-14 41.50x40mm Cavity closer. Tack cavity closer @ 600mm crs

Proprietary prefolded head flashing with 15° fall

Head flashing turned up to form stop end

Continuous air seal

Temporary packer

interactive assembly instructions available  
<http://wksp.nz/rk-v45-fu01-03>



get WorkingSpec from Apple App Store or Google Play



[www.rosenfeldkidson.co.nz](http://www.rosenfeldkidson.co.nz)

Postal address: PO Box 621,  
Shortland Street, Auckland 1140

**Auckland Branch:**

T: +64 9 573 0503

F: +64 9 573 0504

513 Mt Wellington Highway

Mt Wellington, Auckland 1060

**Christchurch Branch:**

T: +64 3 349 3316

F: +64 3 349 3317

15 Edmonton Road

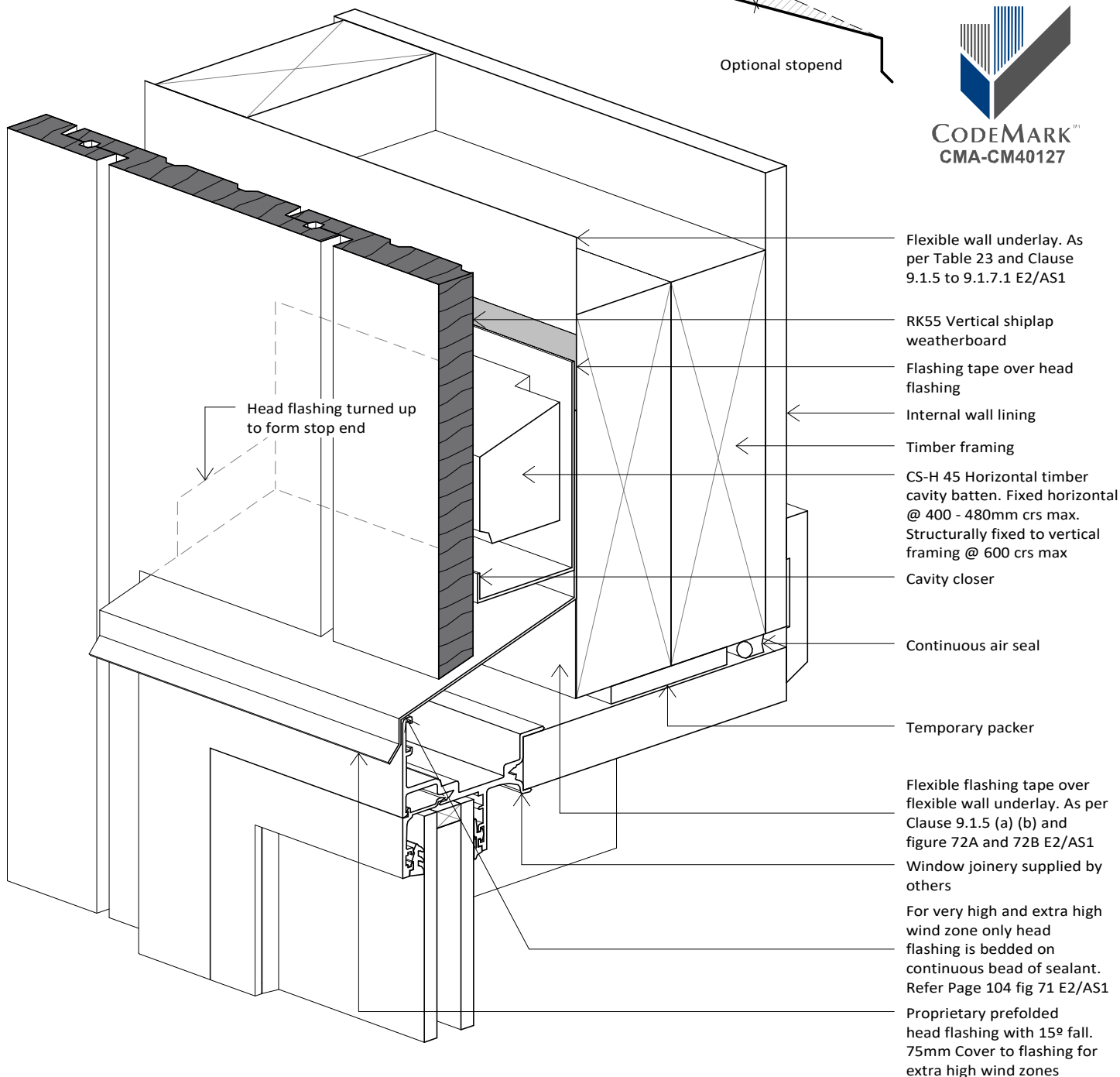
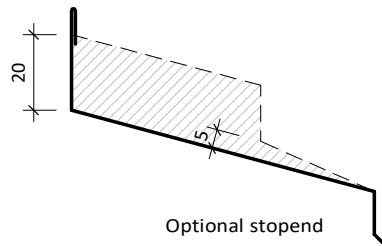
Hornby, Christchurch 8042

Title **Aluminium Head Detail**

Drawing **RKV45-FU-01**

Scale 1 : 2 @ A4 Date 02.04.2019

1. Scope as per Clauses 1.0 and 9.4 E2/AS1
2. Profiles as per NZS 3617 Branz Bulletin 411
3. Fixings as per Table 24 E2/AS1
4. Compatibility of materials as per Tables 20-22 E2/AS1
5. Flashing as per Clause 4.0 E2/AS1
6. Rigid and flexible underlay as per Table 23 and Clauses 9.1.5 to 9.1.7 E2/AS1 or proprietary approved alternative
7. All weatherboards to be factory oiled to all faces and weathergrooves prior to installation use and maintain with Dryden products only.
8. The weatherboard system relies on the joinery meeting the requirements of NZS 4211 for the relevant building windzone or wind pressure.
9. Timber to NZBC B2 Durability B2.3.1 (b), Western Red Cedar, Larch and Truwood®



www.rosenfeldkidson.co.nz

Postal address: PO Box 621,  
Shortland Street, Auckland 1140

**Auckland Branch:**  
T: +64 9 573 0503  
F: +64 9 573 0504  
513 Mt Wellington Highway  
Mt Wellington, Auckland 1060

**Christchurch Branch:**  
T: +64 3 349 3316  
F: +64 3 349 3317  
15 Edmonton Road  
Hornby, Christchurch 8042

Title **3D Aluminium Head Detail**

Drawing **RKV45-FU-01A**

Scale 1 : 2 @ A4 Date 02.04.2019

1. Scope as per Clauses 1.0 and 9.4 E2/AS1
2. Profiles as per NZS 3617 Branz Bulletin 411
3. Fixings as per Table 24 E2/AS1
4. Compatibility of materials as per Tables 20-22 E2/AS1
5. Flashing as per Clause 4.0 E2/AS1
6. Rigid and flexible underlay as per Table 23 and Clauses 9.1.5 to 9.1.7 E2/AS1 or proprietary approved alternative
7. All weatherboards to be factory oiled to all faces and weathergrooves prior to installation use and maintain with Dryden products only.
8. The weatherboard system relies on the joinery meeting the requirements of NZS 4211 for the relevant building windzone or wind pressure.
9. Timber to NZBC B2 Durability B2.3.1 (b), Western Red Cedar, Larch and Truwood®



CS-H 45 Horizontal timber cavity batten. Fixed horizontal @ 400 - 480mm crs max. Structurally fixed to vertical framing @ 600 crs max

Timber framing

Internal wall lining

Timber packer

Continuous air seal

Flexible flashing tape over flexible wall underlay. As per Clause 9.1.5 (a) (b) and figure 72A and 72B E2/AS1

Flexible wall underlay. As per Table 23 and Clause 9.1.5 to 9.1.7.1 E2/AS1

RK55 Vertical shiplap weatherboard

CS-V 45 Vertical timber cavity batten

Sealant

RK12 Optional Scriber

10mm | 20 mm | 20 mm  
Min  
Min  
Past Scriber

Compressible foam tape seal

RKF11-18.5 powder coated aluminium jamb flashing.

Window joinery supplied by others

Line of head flashing above

interactive assembly instructions available  
<http://wksp.nz/rk-v45-fu01-03>



get WorkingSpec from Apple App Store or Google Play



[www.rosenfeldkidson.co.nz](http://www.rosenfeldkidson.co.nz)

Postal address: PO Box 621, Shortland Street, Auckland 1140

Auckland Branch:

T: +64 9 573 0503

F: +64 9 573 0504

513 Mt Wellington Highway

Mt Wellington, Auckland 1060

Christchurch Branch:

T: +64 3 349 3316

F: +64 3 349 3317

15 Edmonton Road

Hornby, Christchurch 8042

Title **Aluminium Jamb Detail**

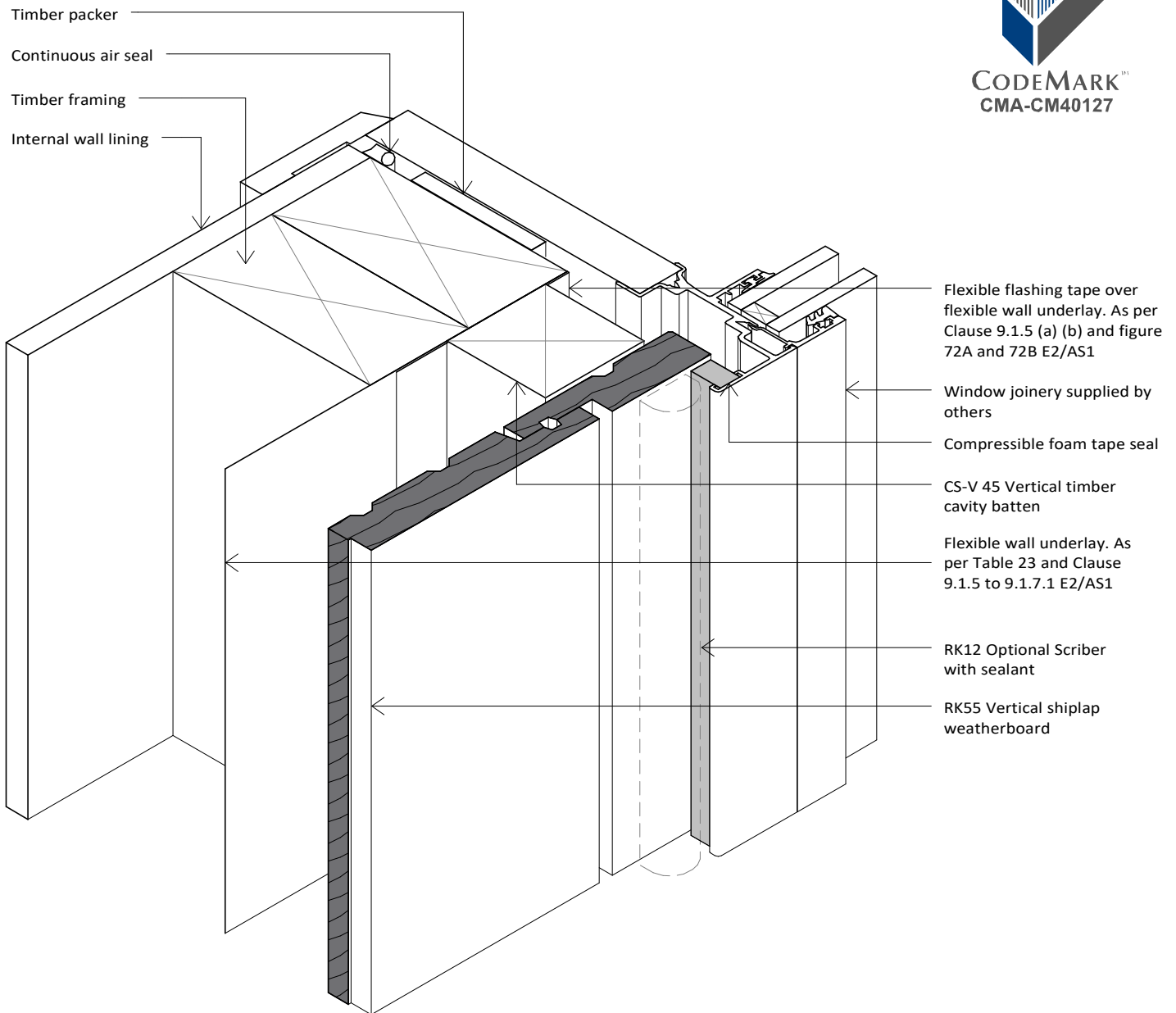
Drawing

**RKV45-FU-02**

Scale 1 : 2 @ A4

Date 02.04.2019

1. Scope as per Clauses 1.0 and 9.4 E2/AS1
2. Profiles as per NZS 3617 Branz Bulletin 411
3. Fixings as per Table 24 E2/AS1
4. Compatibility of materials as per Tables 20-22 E2/AS1
5. Flashing as per Clause 4.0 E2/AS1
6. Rigid and flexible underlay as per Table 23 and Clauses 9.1.5 to 9.1.7 E2/AS1 or proprietary approved alternative
7. All weatherboards to be factory oiled to all faces and weathergrooves prior to installation use and maintain with Dryden products only.
8. The weatherboard system relies on the joinery meeting the requirements of NZS 4211 for the relevant building windzone or wind pressure.
9. Timber to NZBC B2 Durability B2.3.1 (b), Western Red Cedar, Larch and Truwood®



www.rosenfeldkidson.co.nz

Postal address: PO Box 621,  
Shortland Street, Auckland 1140

**Auckland Branch:**

T: +64 9 573 0503  
F: +64 9 573 0504  
513 Mt Wellington Highway  
Mt Wellington, Auckland 1060

**Christchurch Branch:**

T: +64 3 349 3316  
F: +64 3 349 3317  
15 Edmonton Road  
Hornby, Christchurch 8042

Title	<b>3D Aluminium Jamb Detail</b>		
Drawing	<b>RKV45-FU-02A</b>		
Scale	1 : 2 @ A4	Date	02.04.2019



1. Scope as per Clauses 1.0 and 9.4 E2/AS1
2. Profiles as per NZS 3617 Branz Bulletin 411
3. Fixings as per Table 24 E2/AS1
4. Compatibility of materials as per Tables 20-22 E2/AS1
5. Flashing as per Clause 4.0 E2/AS1
6. Rigid and flexible underlay as per Table 23 and Clauses 9.1.5 to 9.1.7 E2/AS1 or proprietary approved alternative
7. All weatherboards to be factory oiled to all faces and weathergrooves prior to installation use and maintain with Dryden products only.
8. The weatherboard system relies on the joinery meeting the requirements of NZS 4211 for the relevant building windzone or wind pressure.
9. Timber to NZBC B2 Durability B2.3.1 (b), Western Red Cedar, Larch and Truwood®



Flexible flashing tape over flexible wall underlay. As per Clause 9.1.5 (a) (b) and figure 72A and 72B E2/AS1

Timber packer

Continuous air seal

Timber framing

Internal wall lining

Window joinery supplied by others

10 mm Min

Support bar to suit joinery type and weight

CS-H 45 Horizontal timber cavity batten. Fixed horizontal @ 400 - 480mm crs max. Structurally fixed to vertical framing @ 600 crs max

RK55 Vertical shi lap weatherboard

Flexible wall underlay. As per Table 23 and Clause 9.1.5 to 9.1.7.1 E2/AS1

interactive assembly instructions available  
<http://wksp.nz/rk-v45-fu01-03>



get WorkingSpec from Apple App Store or Google Play



[www.rosenfeldkidson.co.nz](http://www.rosenfeldkidson.co.nz)

Postal address: PO Box 621, Shortland Street, Auckland 1140

**Auckland Branch:**

T: +64 9 573 0503  
 F: +64 9 573 0504  
 513 Mt Wellington Highway  
 Mt Wellington, Auckland 1060

**Christchurch Branch:**

T: +64 3 349 3316  
 F: +64 3 349 3317  
 15 Edmonton Road  
 Hornby, Christchurch 8042

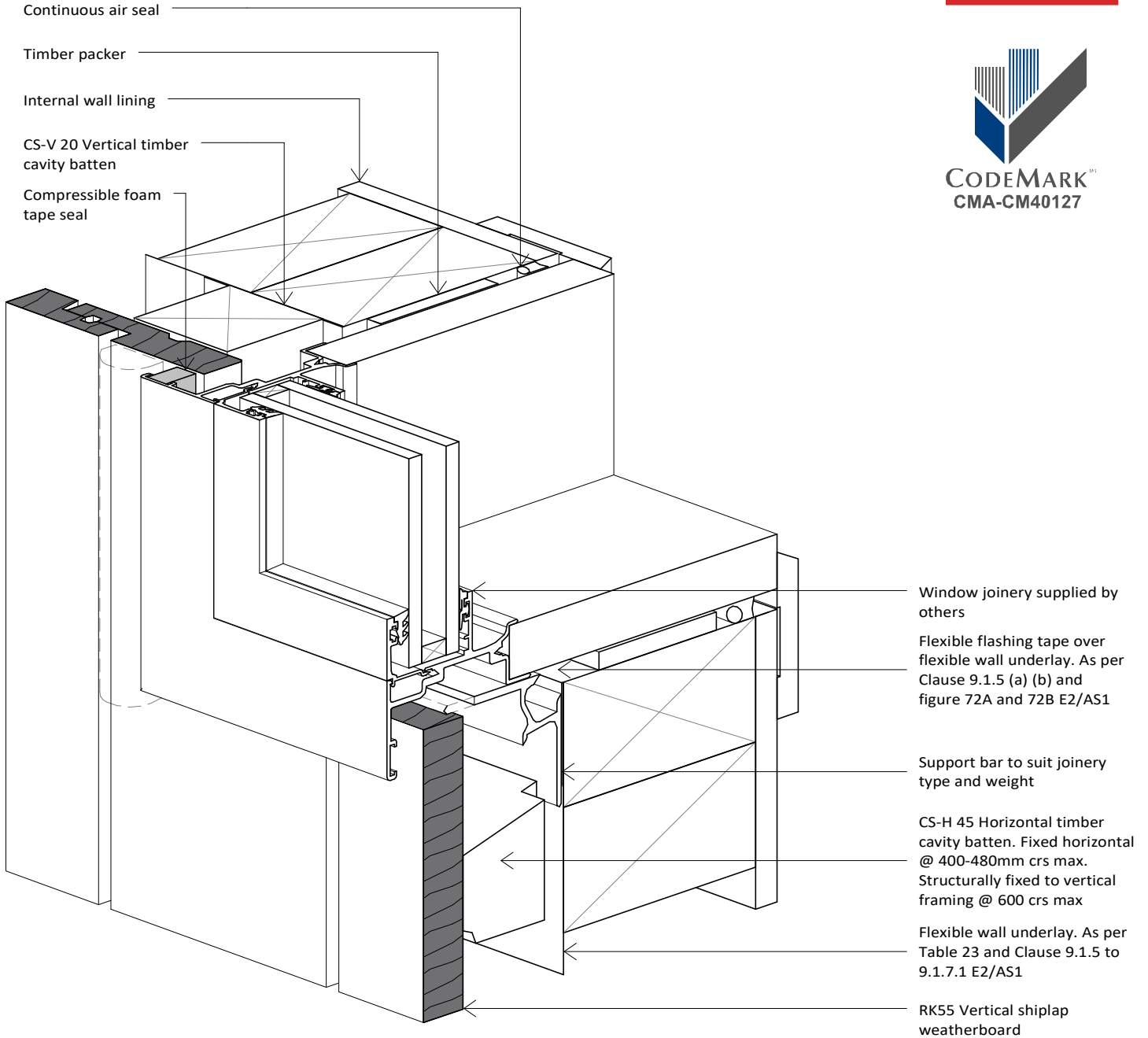
Title **Aluminium Sill Detail**

Drawing **RKV45-FU-03**

Scale 1 : 2 @ A4 Date 02.04.2019



1. Scope as per Clauses 1.0 and 9.4 E2/AS1
2. Profiles as per NZS 3617 Branz Bulletin 411
3. Fixings as per Table 24 E2/AS1
4. Compatibility of materials as per Tables 20-22 E2/AS1
5. Flashing as per Clause 4.0 E2/AS1
6. Rigid and flexible underlay as per Table 23 and Clauses 9.1.5 to 9.1.7 E2/AS1 or proprietary approved alternative
7. All weatherboards to be factory oiled to all faces and weathergrooves prior to installation use and maintain with Dryden products only.
8. The weatherboard system relies on the joinery meeting the requirements of NZS 4211 for the relevant building windzone or wind pressure.
9. Timber to NZBC B2 Durability B2.3.1 (b), Western Red Cedar, Larch and Truwood®



www.rosenfeldkidson.co.nz

Postal address: PO Box 621,  
Shortland Street, Auckland 1140

**Auckland Branch:**  
T: +64 9 573 0503  
F: +64 9 573 0504  
513 Mt Wellington Highway  
Mt Wellington, Auckland 1060

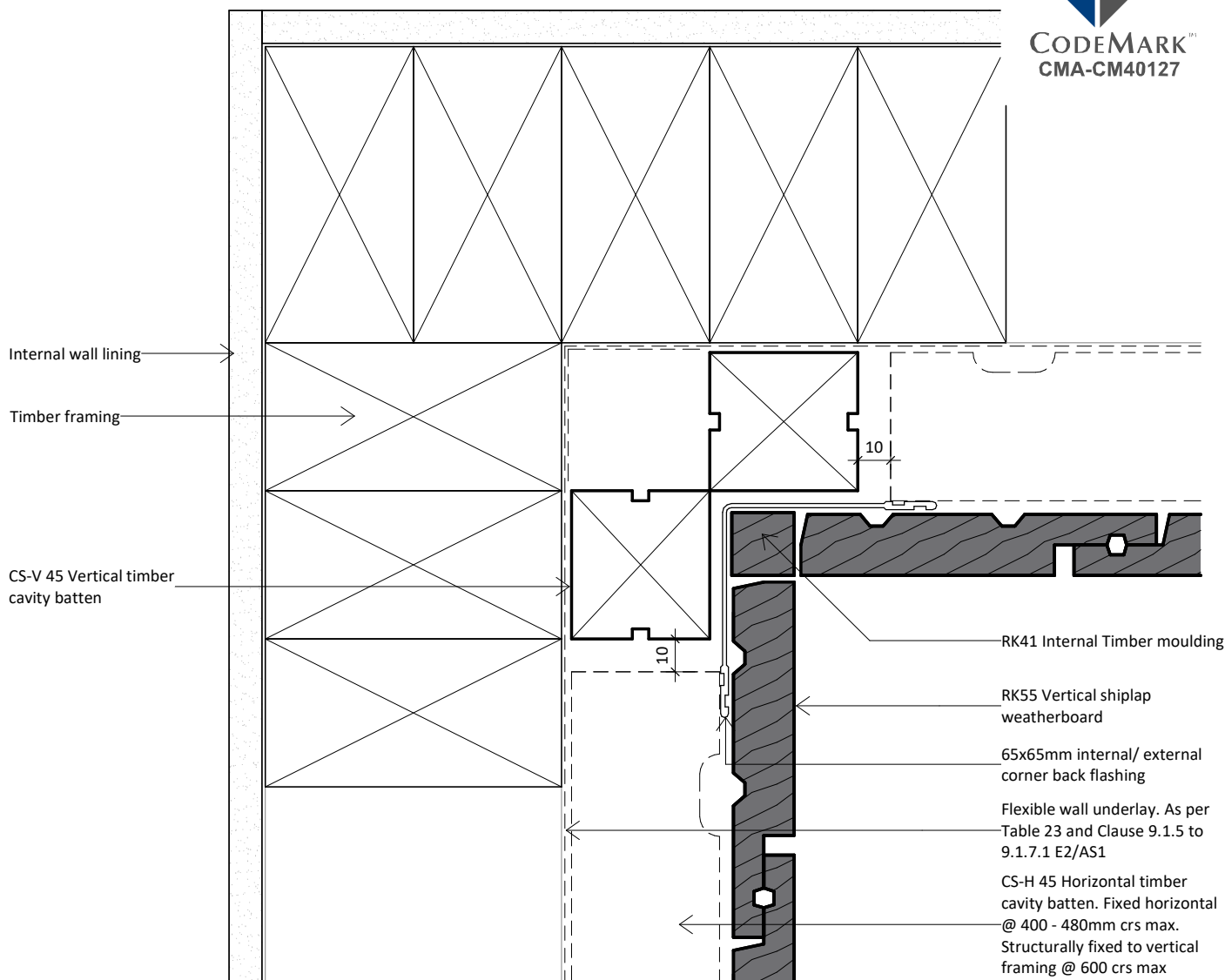
**Christchurch Branch:**  
T: +64 3 349 3316  
F: +64 3 349 3317  
15 Edmonton Road  
Hornby, Christchurch 8042

Title **3D Aluminium Sill Detail**

Drawing **RKV45-FU-03A**

Scale 1 : 2 @ A4 Date 02.04.2019

1. Scope as per Clauses 1.0 and 9.4 E2/AS1
2. Profiles as per NZS 3617 Branz Bulletin 411
3. Fixings as per Table 24 E2/AS1
4. Compatibility of materials as per Tables 20-22 E2/AS1
5. Flashing as per Clause 4.0 E2/AS1
6. Rigid and flexible underlay as per Table 23 and Clauses 9.1.5 to 9.1.7 E2/AS1 or proprietary approved alternative
7. All weatherboards to be factory oiled to all faces and weathergrooves prior to installation use and maintain with Dryden products only.
8. The weatherboard system relies on the joinery meeting the requirements of NZS 4211 for the relevant building windzone or wind pressure.
9. Timber to NZBC B2 Durability B2.3.1 (b), Western Red Cedar, Larch and Truwood®



www.rosenfeldkidson.co.nz

Postal address: PO Box 621,  
Shortland Street, Auckland 1140

**Auckland Branch:**  
T: +64 9 573 0503  
F: +64 9 573 0504  
513 Mt Wellington Highway  
Mt Wellington, Auckland 1060

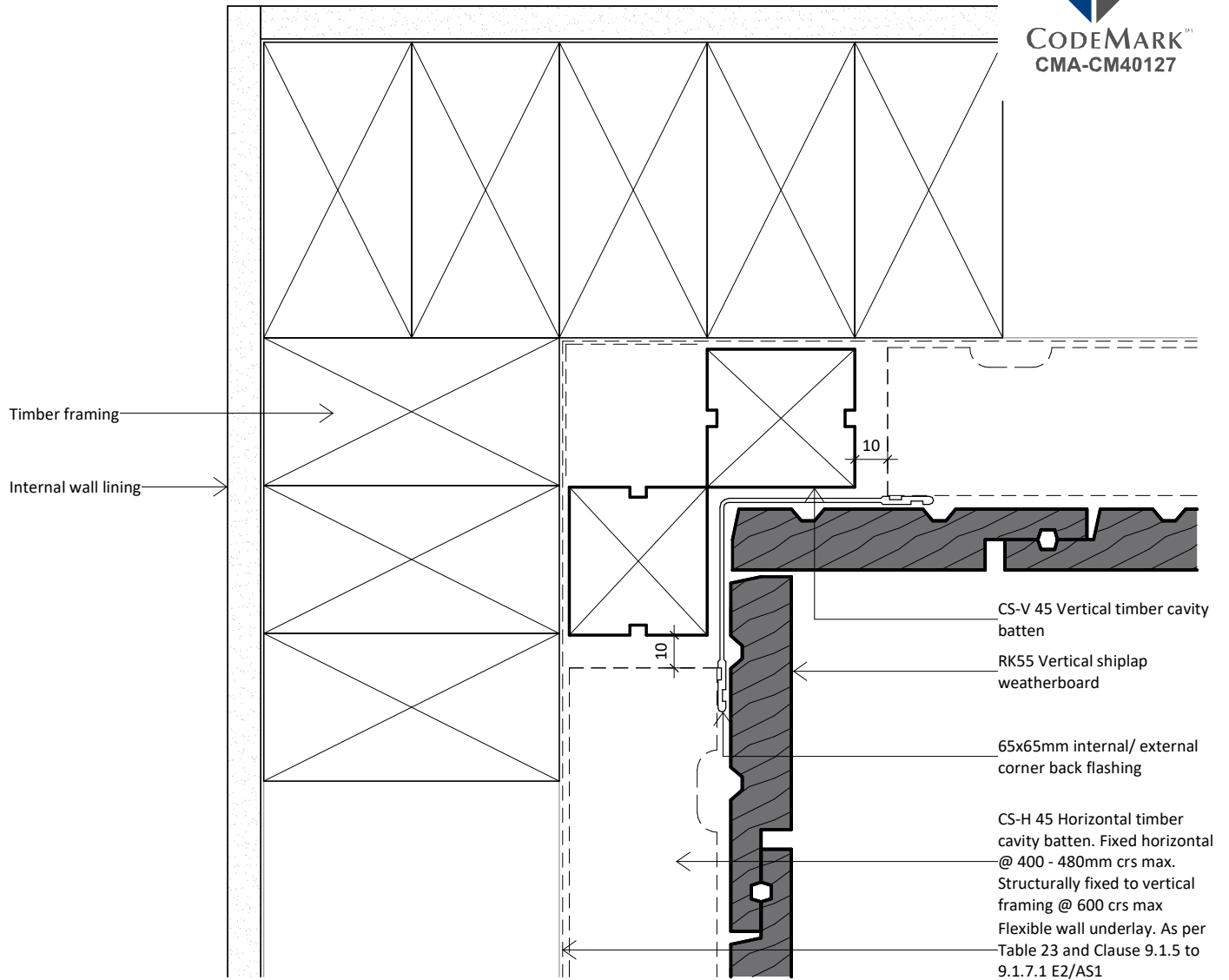
**Christchurch Branch:**  
T: +64 3 349 3316  
F: +64 3 349 3317  
15 Edmonton Road  
Hornby, Christchurch 8042

Title **Internal Corner Detail - Option 1**

Drawing **RKV45-FU-11**

Scale 1 : 2 @ A4 Date 02.04.2019

1. Scope as per Clauses 1.0 and 9.4 E2/AS1
2. Profiles as per NZS 3617 Branz Bulletin 411
3. Fixings as per Table 24 E2/AS1
4. Compatibility of materials as per Tables 20-22 E2/AS1
5. Flashing as per Clause 4.0 E2/AS1
6. Rigid and flexible underlay as per Table 23 and Clauses 9.1.5 to 9.1.7 E2/AS1 or proprietary approved alternative
7. All weatherboards to be factory oiled to all faces and weathergrooves prior to installation use and maintain with Dryden products only.
8. The weatherboard system relies on the joinery meeting the requirements of NZS 4211 for the relevant building windzone or wind pressure.
9. Timber to NZBC B2 Durability B2.3.1 (b), Western Red Cedar, Larch and Truwood®



www.rosenfeldkidson.co.nz

Postal address: PO Box 621,  
Shortland Street, Auckland 1140

**Auckland Branch:**

T: +64 9 573 0503  
F: +64 9 573 0504  
513 Mt Wellington Highway  
Mt Wellington, Auckland 1060

**Christchurch Branch:**

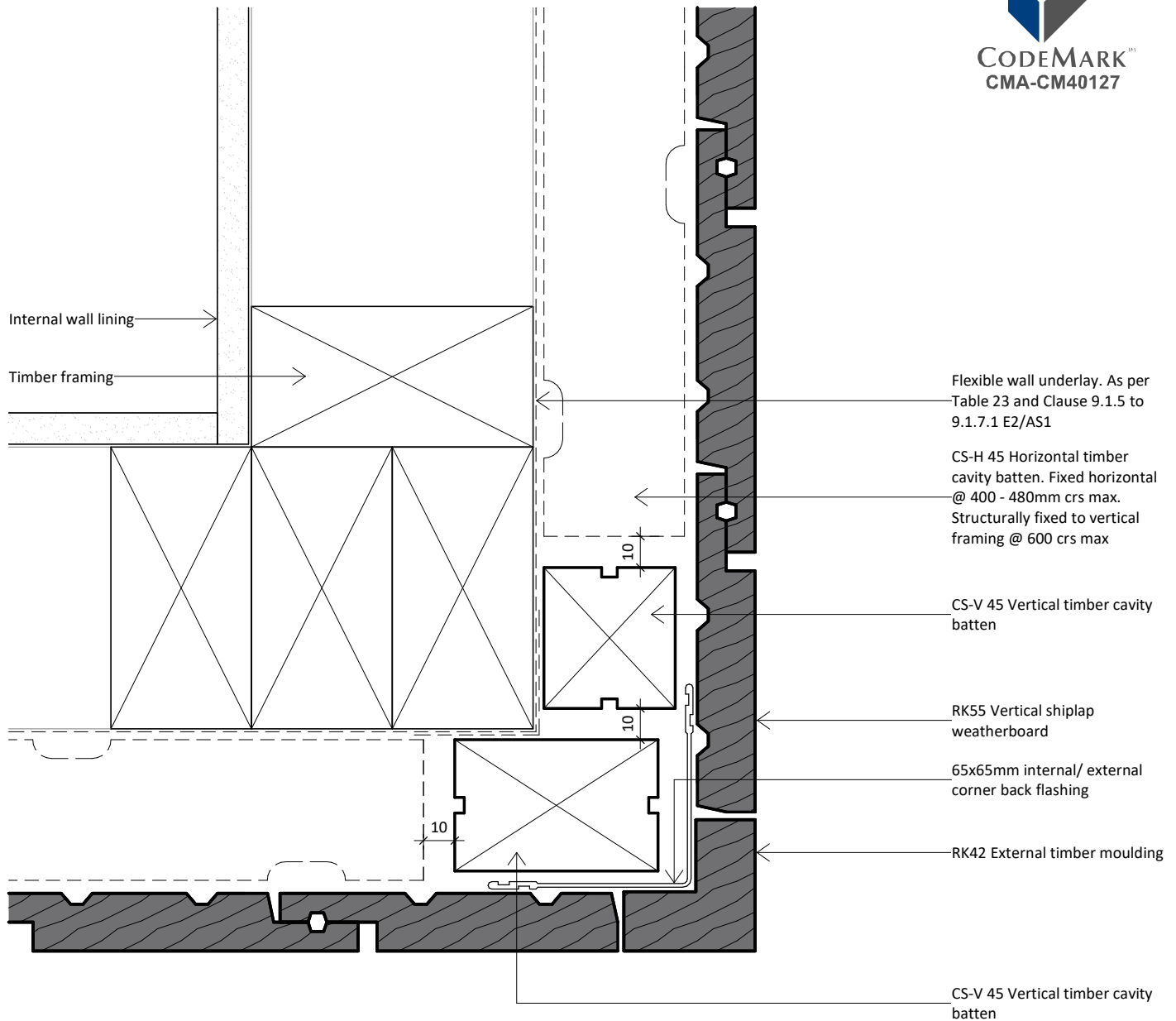
T: +64 3 349 3316  
F: +64 3 349 3317  
15 Edmonton Road  
Hornby, Christchurch 8042

Title **Internal Corner Detail - Option 2**

Drawing **RKV45-FU-12**

Scale 1 : 2 @ A4 Date 02.04.2019

1. Scope as per Clauses 1.0 and 9.4 E2/AS1
2. Profiles as per NZS 3617 Branz Bulletin 411
3. Fixings as per Table 24 E2/AS1
4. Compatibility of materials as per Tables 20-22 E2/AS1
5. Flashing as per Clause 4.0 E2/AS1
6. Rigid and flexible underlay as per Table 23 and Clauses 9.1.5 to 9.1.7 E2/AS1 or proprietary approved alternative
7. All weatherboards to be factory oiled to all faces and weathergrooves prior to installation use and maintain with Dryden products only.
8. The weatherboard system relies on the joinery meeting the requirements of NZS 4211 for the relevant building windzone or wind pressure.
9. Timber to NZBC B2 Durability B2.3.1 (b), Western Red Cedar, Larch and Truwood®



www.rosenfeldkidson.co.nz

Postal address: PO Box 621,  
Shortland Street, Auckland 1140

**Auckland Branch:**

T: +64 9 573 0503  
F: +64 9 573 0504  
513 Mt Wellington Highway  
Mt Wellington, Auckland 1060

**Christchurch Branch:**

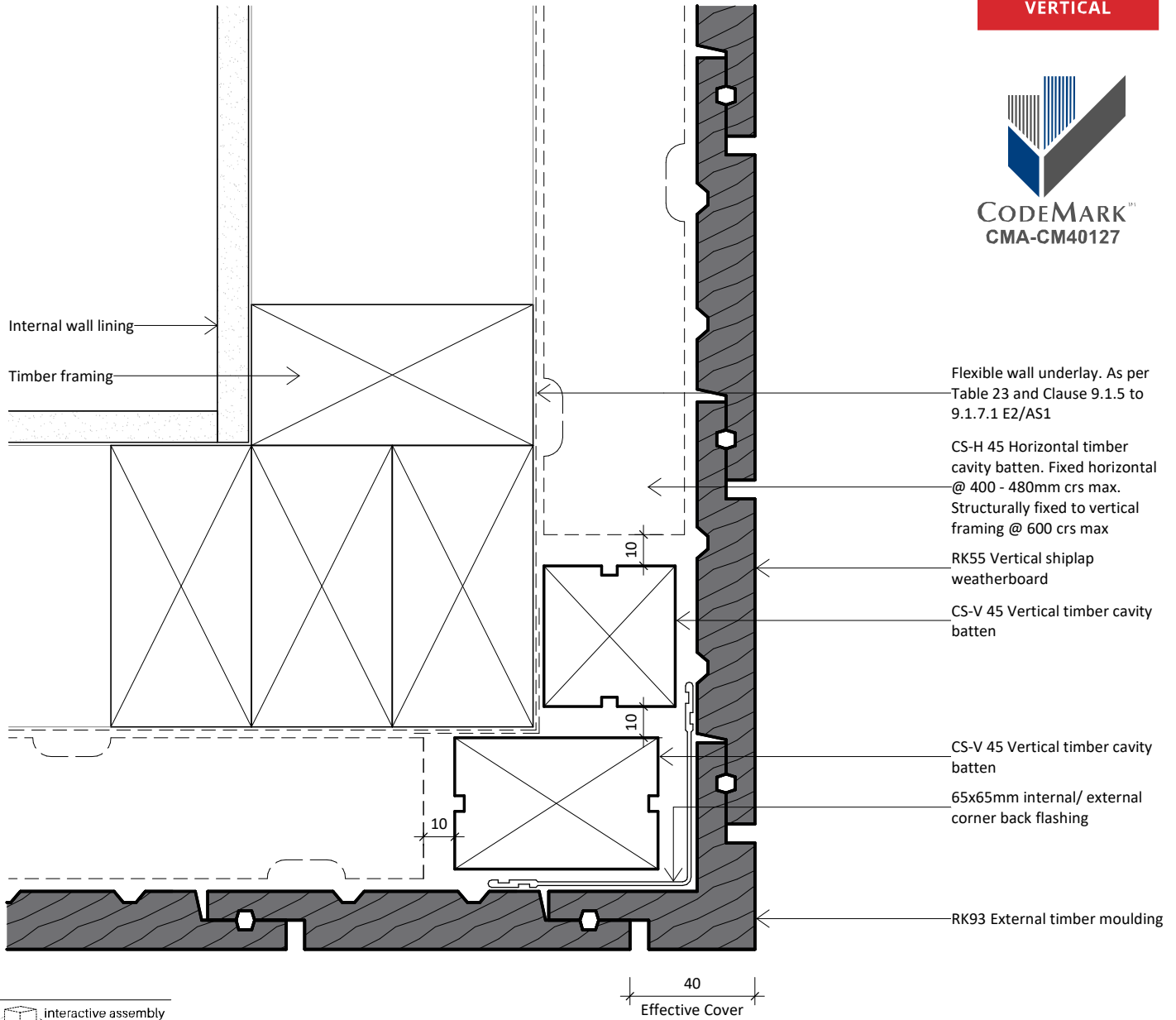
T: +64 3 349 3316  
F: +64 3 349 3317  
15 Edmonton Road  
Hornby, Christchurch 8042

Title **External Corner Detail - Option 1**

Drawing **RKV45-FU-21**

Scale 1 : 2 @ A4 Date 02.04.2019

1. Scope as per Clauses 1.0 and 9.4 E2/AS1
2. Profiles as per NZS 3617 Branz Bulletin 411
3. Fixings as per Table 24 E2/AS1
4. Compatibility of materials as per Tables 20-22 E2/AS1
5. Flashing as per Clause 4.0 E2/AS1
6. Rigid and flexible underlay as per Table 23 and Clauses 9.1.5 to 9.1.7 E2/AS1 or proprietary approved alternative
7. All weatherboards to be factory oiled to all faces and weathergrooves prior to installation use and maintain with Dryden products only.
8. The weatherboard system relies on the joinery meeting the requirements of NZS 4211 for the relevant building windzone or wind pressure.
9. Timber to NZBC B2 Durability B2.3.1 (b), Western Red Cedar, Larch and Truwood®



interactive assembly instructions available  
<http://wksp.nz/rk-v45-fu22>



get WorkingSpec from Apple App Store or Google Play



[www.rosenfeldkidson.co.nz](http://www.rosenfeldkidson.co.nz)

Postal address: PO Box 621,  
Shortland Street, Auckland 1140

**Auckland Branch:**  
 T: +64 9 573 0503  
 F: +64 9 573 0504  
 513 Mt Wellington Highway  
 Mt Wellington, Auckland 1060

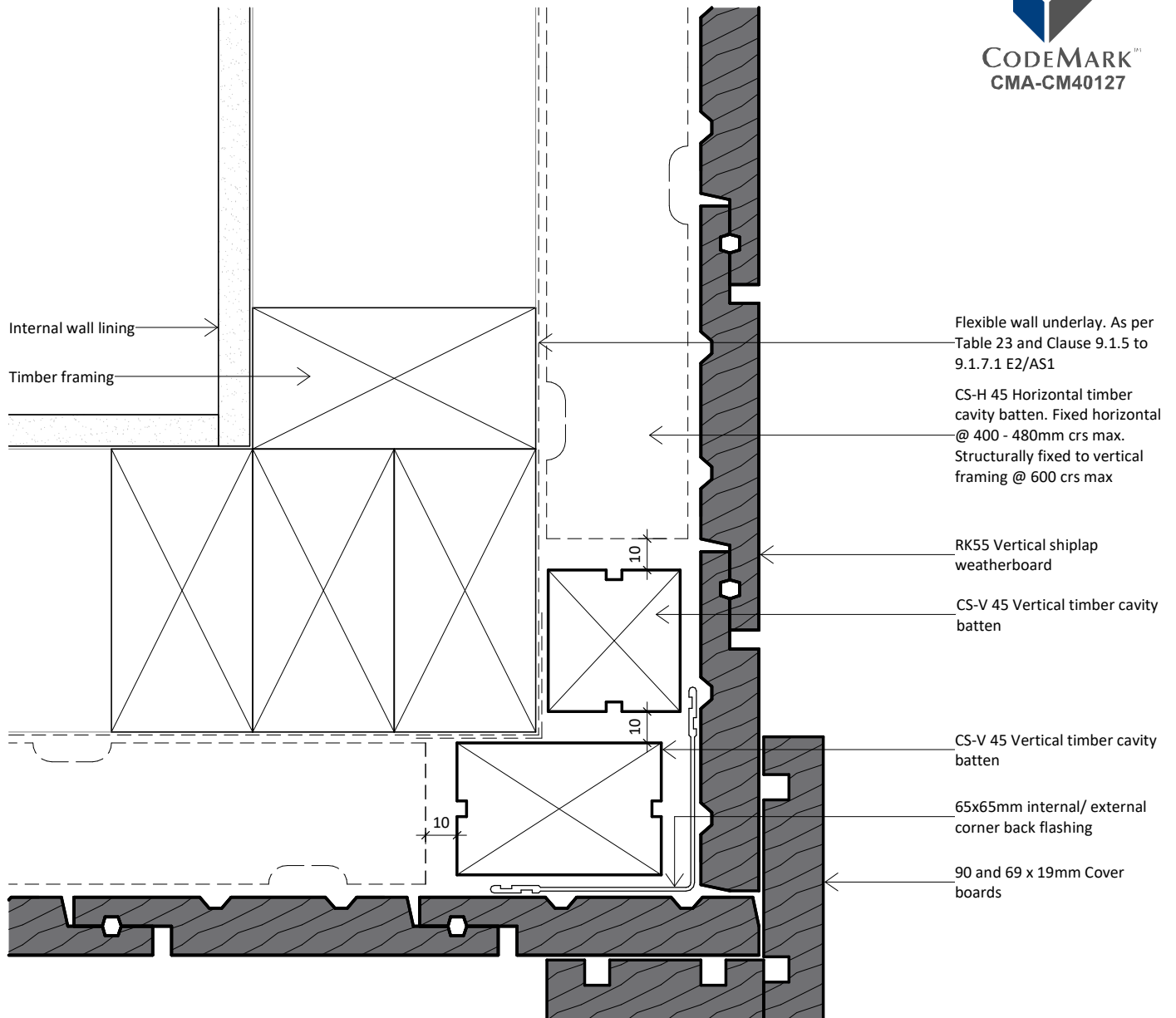
**Christchurch Branch:**  
 T: +64 3 349 3316  
 F: +64 3 349 3317  
 15 Edmonton Road  
 Hornby, Christchurch 8042

Title **External Corner Detail - Option 2**

Drawing **RKV45-FU-22**

Scale 1 : 2 @ A4 Date 02.04.2019

1. Scope as per Clauses 1.0 and 9.4 E2/AS1
2. Profiles as per NZS 3617 Branz Bulletin 411
3. Fixings as per Table 24 E2/AS1
4. Compatibility of materials as per Tables 20-22 E2/AS1
5. Flashing as per Clause 4.0 E2/AS1
6. Rigid and flexible underlay as per Table 23 and Clauses 9.1.5 to 9.1.7 E2/AS1 or proprietary approved alternative
7. All weatherboards to be factory oiled to all faces and weathergrooves prior to installation use and maintain with Dryden products only.
8. The weatherboard system relies on the joinery meeting the requirements of NZS 4211 for the relevant building windzone or wind pressure.
9. Timber to NZBC B2 Durability B2.3.1 (b), Western Red Cedar, Larch and Truwood®



www.rosenfeldkidson.co.nz

Postal address: PO Box 621,  
Shortland Street, Auckland 1140

**Auckland Branch:**  
T: +64 9 573 0503  
F: +64 9 573 0504  
513 Mt Wellington Highway  
Mt Wellington, Auckland 1060

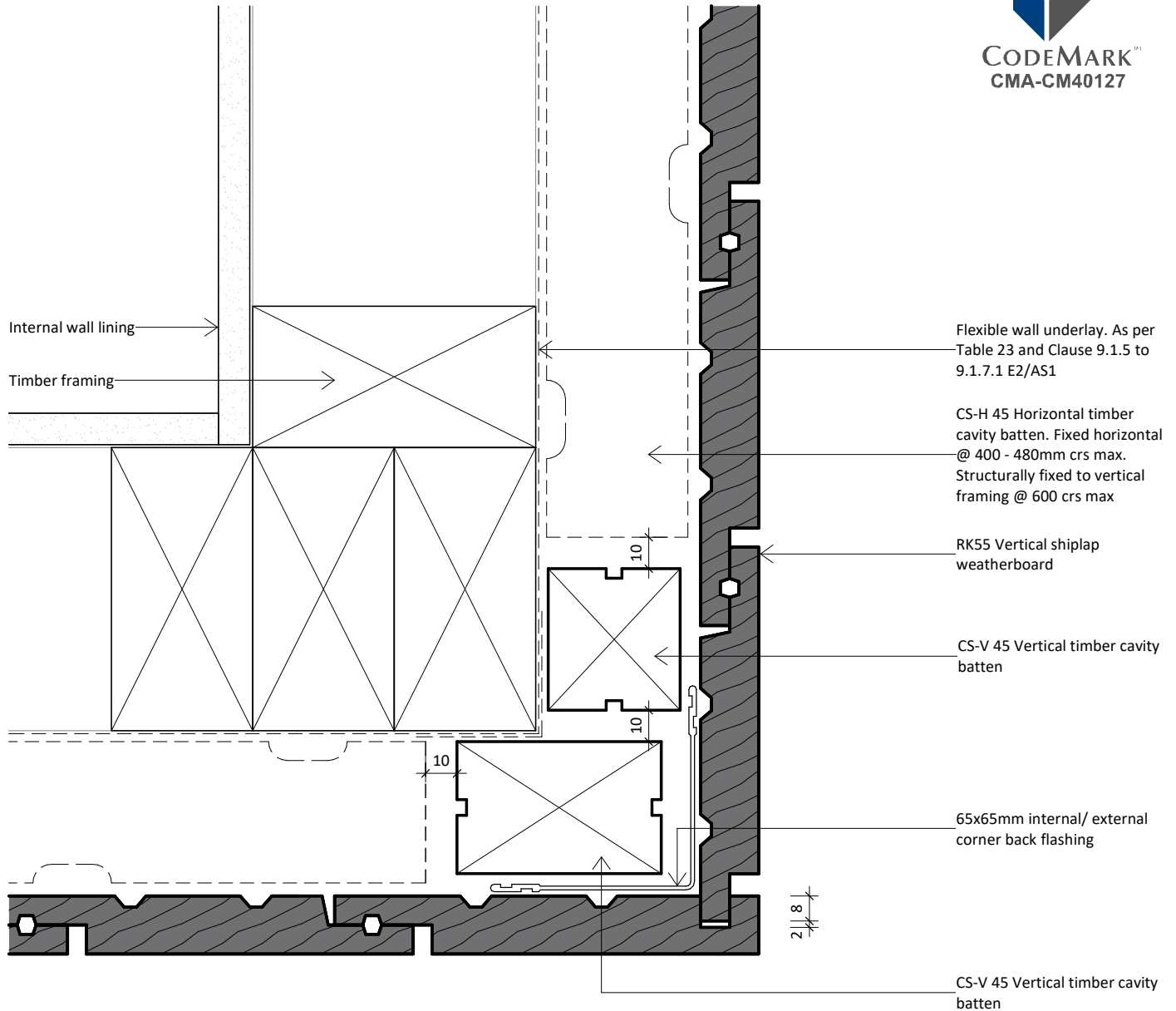
**Christchurch Branch:**  
T: +64 3 349 3316  
F: +64 3 349 3317  
15 Edmonton Road  
Hornby, Christchurch 8042

Title **External Corner Detail - Option 3**

Drawing **RKV45-FU-23**

Scale 1 : 2 @ A4 Date 02.04.2019

1. Scope as per Clauses 1.0 and 9.4 E2/AS1
2. Profiles as per NZS 3617 Branz Bulletin 411
3. Fixings as per Table 24 E2/AS1
4. Compatibility of materials as per Tables 20-22 E2/AS1
5. Flashing as per Clause 4.0 E2/AS1
6. Rigid and flexible underlay as per Table 23 and Clauses 9.1.5 to 9.1.7 E2/AS1 or proprietary approved alternative
7. All weatherboards to be factory oiled to all faces and weathergrooves prior to installation use and maintain with Dryden products only.
8. The weatherboard system relies on the joinery meeting the requirements of NZS 4211 for the relevant building windzone or wind pressure.
9. Timber to NZBC B2 Durability B2.3.1 (b), Western Red Cedar, Larch and Truwood®



www.rosenfeldkidson.co.nz

Postal address: PO Box 621,  
Shortland Street, Auckland 1140

**Auckland Branch:**  
T: +64 9 573 0503  
F: +64 9 573 0504  
513 Mt Wellington Highway  
Mt Wellington, Auckland 1060

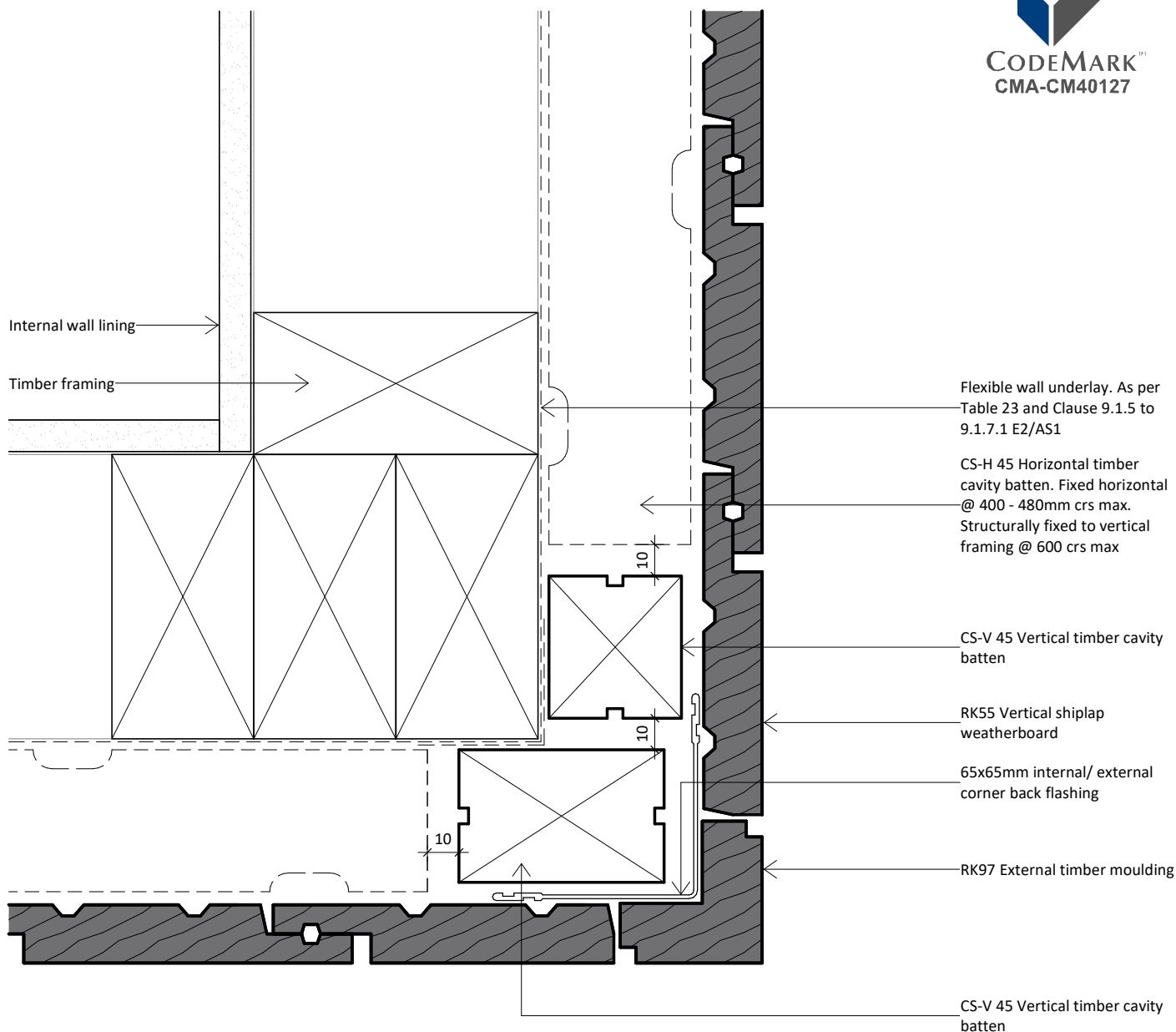
**Christchurch Branch:**  
T: +64 3 349 3316  
F: +64 3 349 3317  
15 Edmonton Road  
Hornby, Christchurch 8042

Title **External Corner Detail - Option 4**

Drawing **RKV45-FU-24**

Scale 1 : 2 @ A4 Date 02.04.2019

1. Scope as per Clauses 1.0 and 9.4 E2/AS1
2. Profiles as per NZS 3617 Branz Bulletin 411
3. Fixings as per Table 24 E2/AS1
4. Compatibility of materials as per Tables 20-22 E2/AS1
5. Flashing as per Clause 4.0 E2/AS1
6. Rigid and flexible underlay as per Table 23 and Clauses 9.1.5 to 9.1.7 E2/AS1 or proprietary approved alternative
7. All weatherboards to be factory oiled to all faces and weathergrooves prior to installation use and maintain with Dryden products only.
8. The weatherboard system relies on the joinery meeting the requirements of NZS 4211 for the relevant building windzone or wind pressure.
9. Timber to NZBC B2 Durability B2.3.1 (b), Western Red Cedar, Larch and Truwood®



www.rosenfeldkidson.co.nz

Postal address: PO Box 621,  
Shortland Street, Auckland 1140

**Auckland Branch:**  
T: +64 9 573 0503  
F: +64 9 573 0504  
513 Mt Wellington Highway  
Mt Wellington, Auckland 1060

**Christchurch Branch:**  
T: +64 3 349 3316  
F: +64 3 349 3317  
15 Edmonton Road  
Hornby, Christchurch 8042

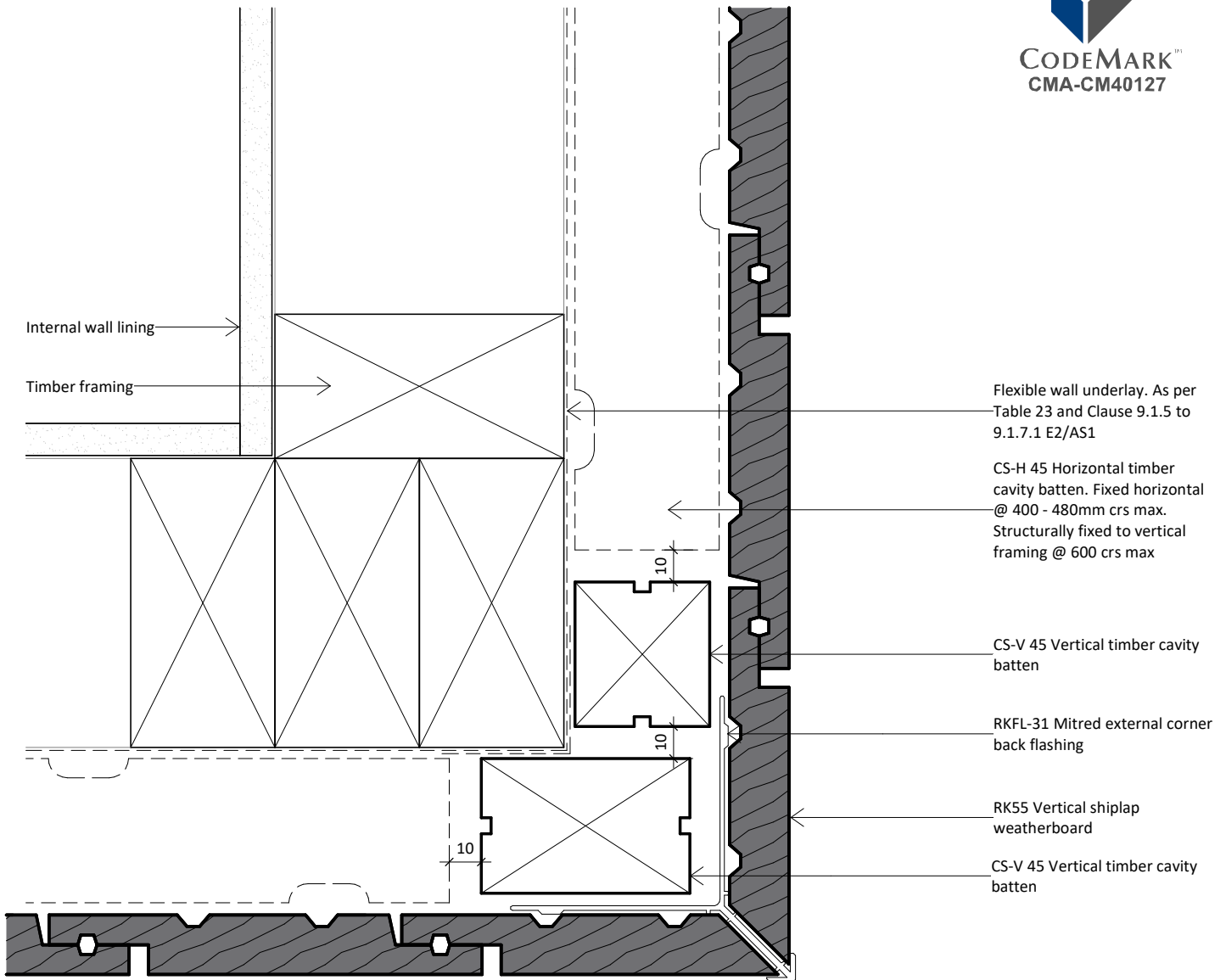
Title **External Corner Detail - Option 5**

Drawing **RKV45-FU-25**

Scale 1 : 2 @ A4 Date 02.04.2019



1. Scope as per Clauses 1.0 and 9.4 E2/AS1
2. Profiles as per NZS 3617 Branz Bulletin 411
3. Fixings as per Table 24 E2/AS1
4. Compatibility of materials as per Tables 20-22 E2/AS1
5. Flashing as per Clause 4.0 E2/AS1
6. Rigid and flexible underlay as per Table 23 and Clauses 9.1.5 to 9.1.7 E2/AS1 or proprietary approved alternative
7. All weatherboards to be factory oiled to all faces and weathergrooves prior to installation use and maintain with Dryden products only.
8. The weatherboard system relies on the joinery meeting the requirements of NZS 4211 for the relevant building windzone or wind pressure.
9. Timber to NZBC B2 Durability B2.3.1 (b), Western Red Cedar, Larch and Truwood®



www.rosenfeldkidson.co.nz

Postal address: PO Box 621,  
Shortland Street, Auckland 1140

**Auckland Branch:**

T: +64 9 573 0503  
F: +64 9 573 0504  
513 Mt Wellington Highway  
Mt Wellington, Auckland 1060

**Christchurch Branch:**

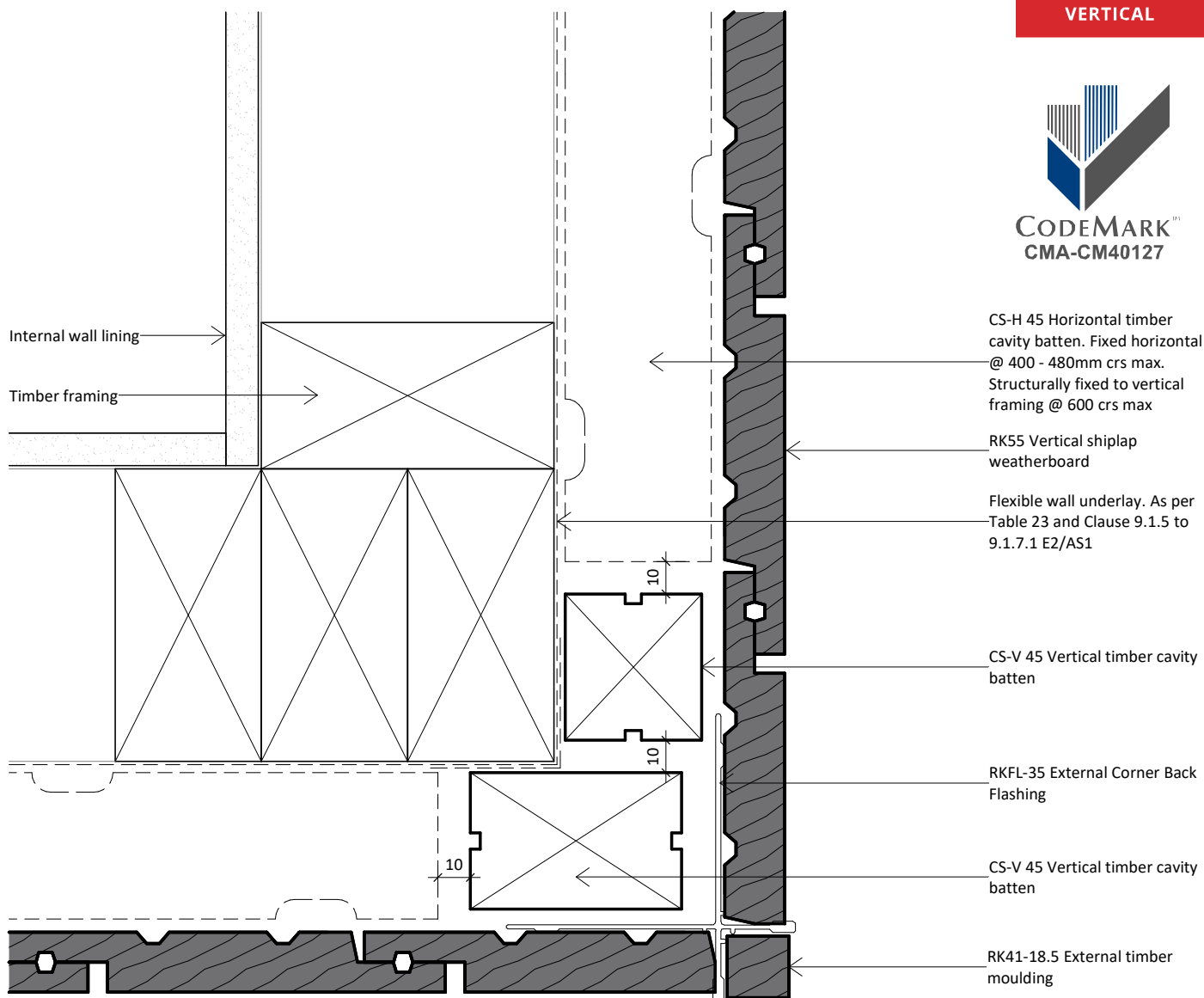
T: +64 3 349 3316  
F: +64 3 349 3317  
15 Edmonton Road  
Hornby, Christchurch 8042

Title **External Corner Detail - Option 6**

Drawing **RKV45-FU-26**

Scale 1 : 2 @ A4 Date 02.04.2019

1. Scope as per Clauses 1.0 and 9.4 E2/AS1
2. Profiles as per NZS 3617 Branz Bulletin 411
3. Fixings as per Table 24 E2/AS1
4. Compatibility of materials as per Tables 20-22 E2/AS1
5. Flashing as per Clause 4.0 E2/AS1
6. Rigid and flexible underlay as per Table 23 and Clauses 9.1.5 to 9.1.7 E2/AS1 or proprietary approved alternative
7. All weatherboards to be factory oiled to all faces and weathergrooves prior to installation use and maintain with Dryden products only.
8. The weatherboard system relies on the joinery meeting the requirements of NZS 4211 for the relevant building windzone or wind pressure.
9. Timber to NZBC B2 Durability B2.3.1 (b), Western Red Cedar, Larch and Truwood®



interactive assembly instructions available  
<http://wksp.nz/rk-v45-fu27>



get WorkingSpec from Apple App Store or Google Play



[www.rosenfeldkidson.co.nz](http://www.rosenfeldkidson.co.nz)

Postal address: PO Box 621,  
Shortland Street, Auckland 1140

**Auckland Branch:**  
 T: +64 9 573 0503  
 F: +64 9 573 0504  
 513 Mt Wellington Highway  
 Mt Wellington, Auckland 1060

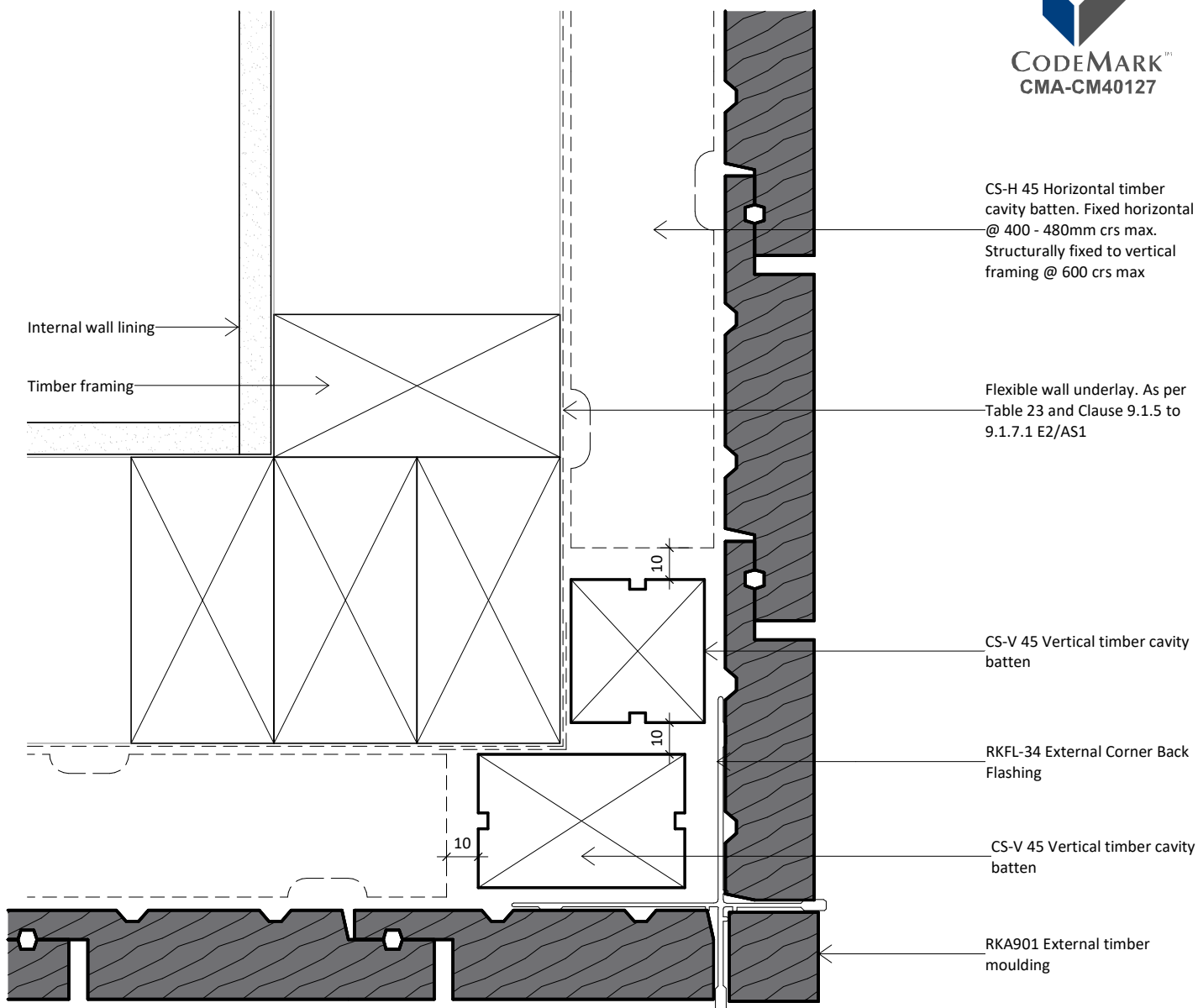
**Christchurch Branch:**  
 T: +64 3 349 3316  
 F: +64 3 349 3317  
 15 Edmonton Road  
 Hornby, Christchurch 8042

Title **External Corner Detail - Option 7**

Drawing **RKV45-FU-27**

Scale 1 : 2 @ A4 Date 02.04.2019

1. Scope as per Clauses 1.0 and 9.4 E2/AS1
2. Profiles as per NZS 3617 Branz Bulletin 411
3. Fixings as per Table 24 E2/AS1
4. Compatibility of materials as per Tables 20-22 E2/AS1
5. Flashing as per Clause 4.0 E2/AS1
6. Rigid and flexible underlay as per Table 23 and Clauses 9.1.5 to 9.1.7 E2/AS1 or proprietary approved alternative
7. All weatherboards to be factory oiled to all faces and weathergrooves prior to installation use and maintain with Dryden products only.
8. The weatherboard system relies on the joinery meeting the requirements of NZS 4211 for the relevant building windzone or wind pressure.
9. Timber to NZBC B2 Durability B2.3.1 (b), Western Red Cedar, Larch and Truwood®



www.rosenfeldkidson.co.nz

Postal address: PO Box 621,  
Shortland Street, Auckland 1140

**Auckland Branch:**

T: +64 9 573 0503  
F: +64 9 573 0504  
513 Mt Wellington Highway  
Mt Wellington, Auckland 1060

**Christchurch Branch:**

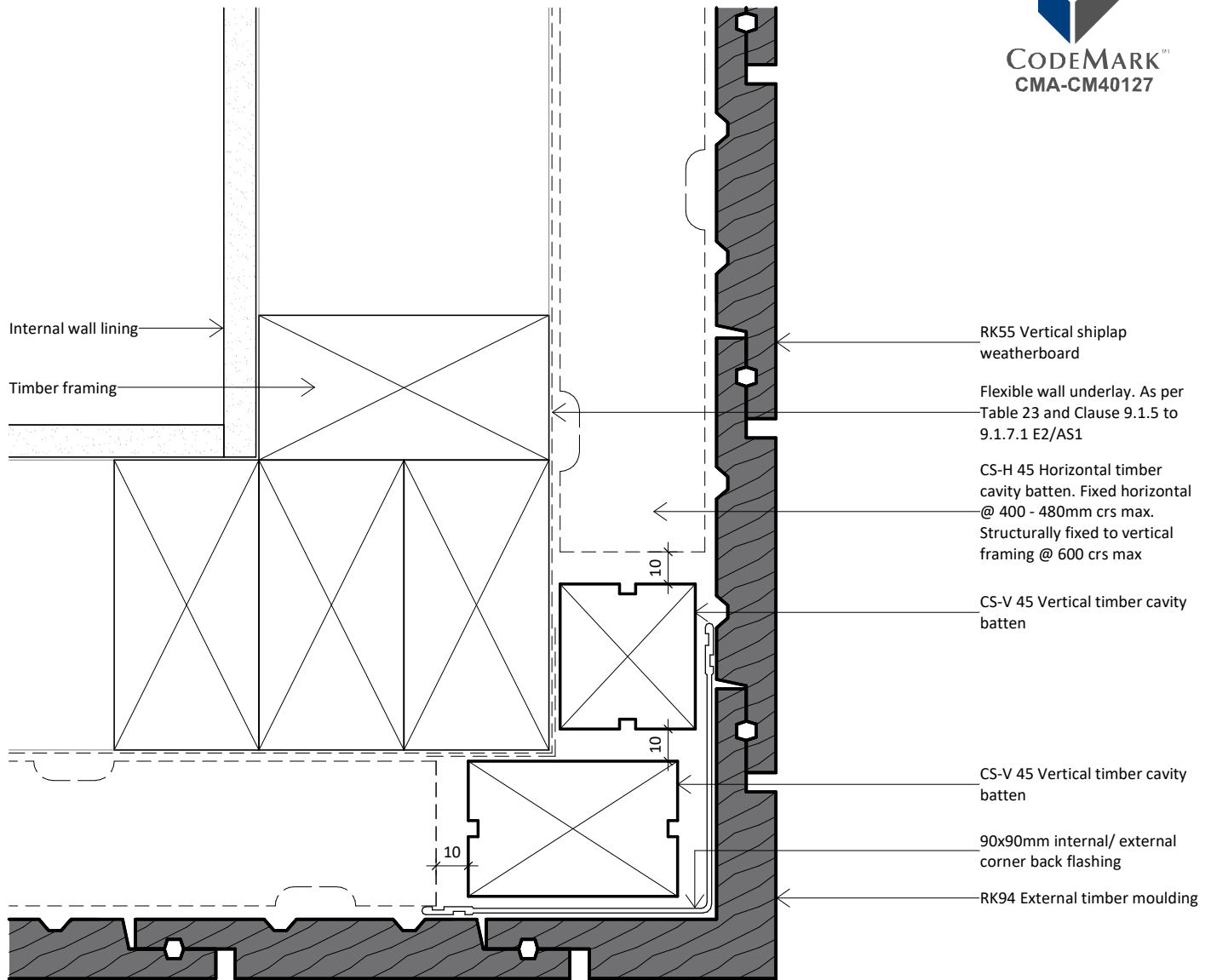
T: +64 3 349 3316  
F: +64 3 349 3317  
15 Edmonton Road  
Hornby, Christchurch 8042

Title **External Corner Detail -  
Option 8**

Drawing **RKV45-FU-28**

Scale 1 : 2 @ A4 Date 02.04.2019

1. Scope as per Clauses 1.0 and 9.4 E2/AS1
2. Profiles as per NZS 3617 Branz Bulletin 411
3. Fixings as per Table 24 E2/AS1
4. Compatibility of materials as per Tables 20-22 E2/AS1
5. Flashing as per Clause 4.0 E2/AS1
6. Rigid and flexible underlay as per Table 23 and Clauses 9.1.5 to 9.1.7 E2/AS1 or proprietary approved alternative
7. All weatherboards to be factory oiled to all faces and weathergrooves prior to installation use and maintain with Dryden products only.
8. The weatherboard system relies on the joinery meeting the requirements of NZS 4211 for the relevant building windzone or wind pressure.
9. Timber to NZBC B2 Durability B2.3.1 (b), Western Red Cedar, Larch and Truwood®



www.rosenfeldkidson.co.nz

Postal address: PO Box 621,  
Shortland Street, Auckland 1140

**Auckland Branch:**

T: +64 9 573 0503  
F: +64 9 573 0504  
513 Mt Wellington Highway  
Mt Wellington, Auckland 1060

**Christchurch Branch:**

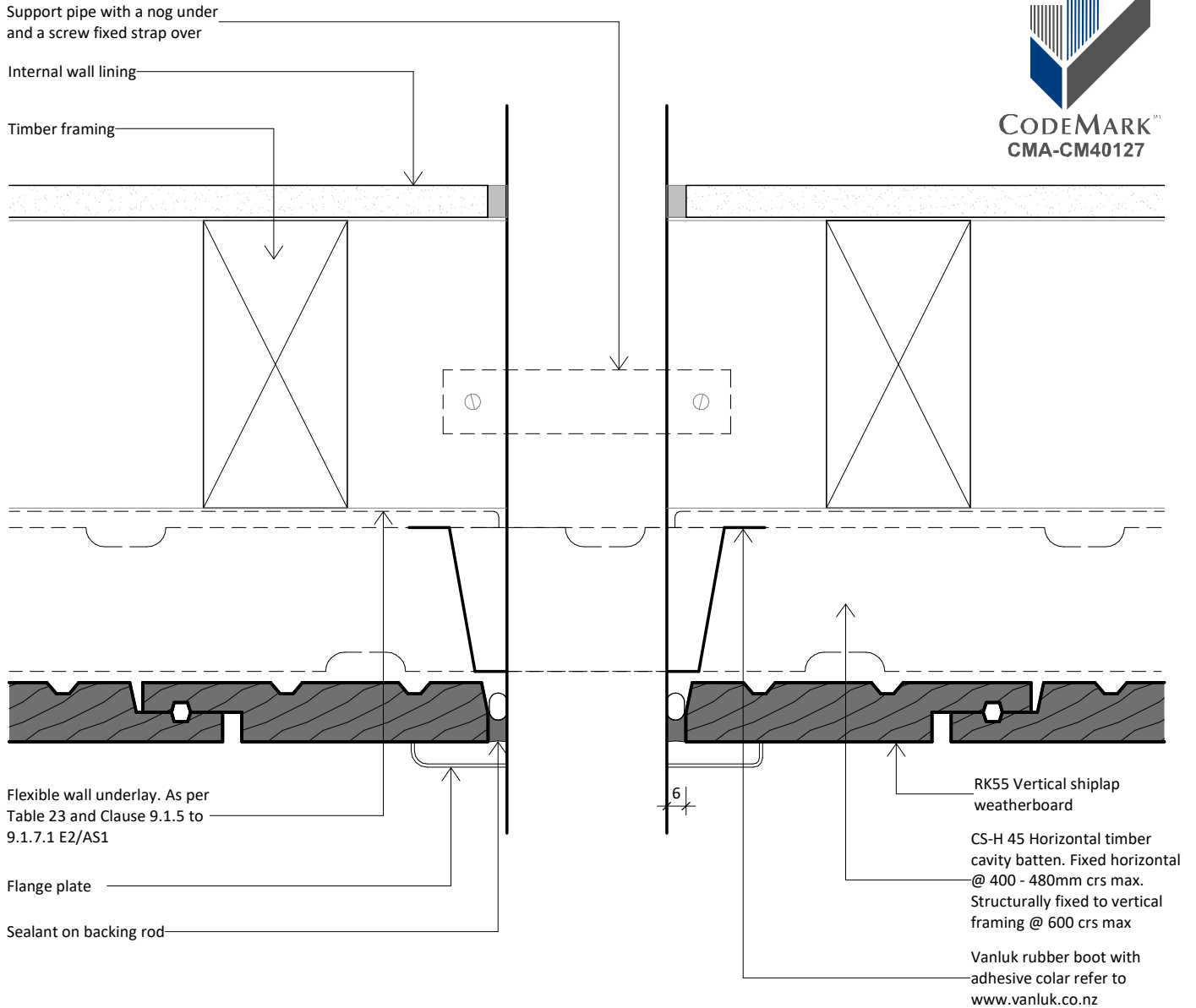
T: +64 3 349 3316  
F: +64 3 349 3317  
15 Edmonton Road  
Hornby, Christchurch 8042

Title **External Corner Detail -  
Option 9**

Drawing **RKV45-FU-30**

Scale 1 : 2 @ A4 Date 02.04.2019

1. Scope as per Clauses 1.0 and 9.4 E2/AS1
2. Profiles as per NZS 3617 Branz Bulletin 411
3. Fixings as per Table 24 E2/AS1
4. Compatibility of materials as per Tables 20-22 E2/AS1
5. Flashing as per Clause 4.0 E2/AS1
6. Rigid and flexible underlay as per Table 23 and Clauses 9.1.5 to 9.1.7 E2/AS1 or proprietary approved alternative
7. All weatherboards to be factory oiled to all faces and weathergrooves prior to installation use and maintain with Dryden products only.
8. The weatherboard system relies on the joinery meeting the requirements of NZS 4211 for the relevant building windzone or wind pressure.
9. Timber to NZBC B2 Durability B2.3.1 (b), Western Red Cedar, Larch and Truwood®



[www.rosenfeldkidson.co.nz](http://www.rosenfeldkidson.co.nz)

Postal address: PO Box 621,  
Shortland Street, Auckland 1140

**Auckland Branch:**  
T: +64 9 573 0503  
F: +64 9 573 0504  
513 Mt Wellington Highway  
Mt Wellington, Auckland 1060

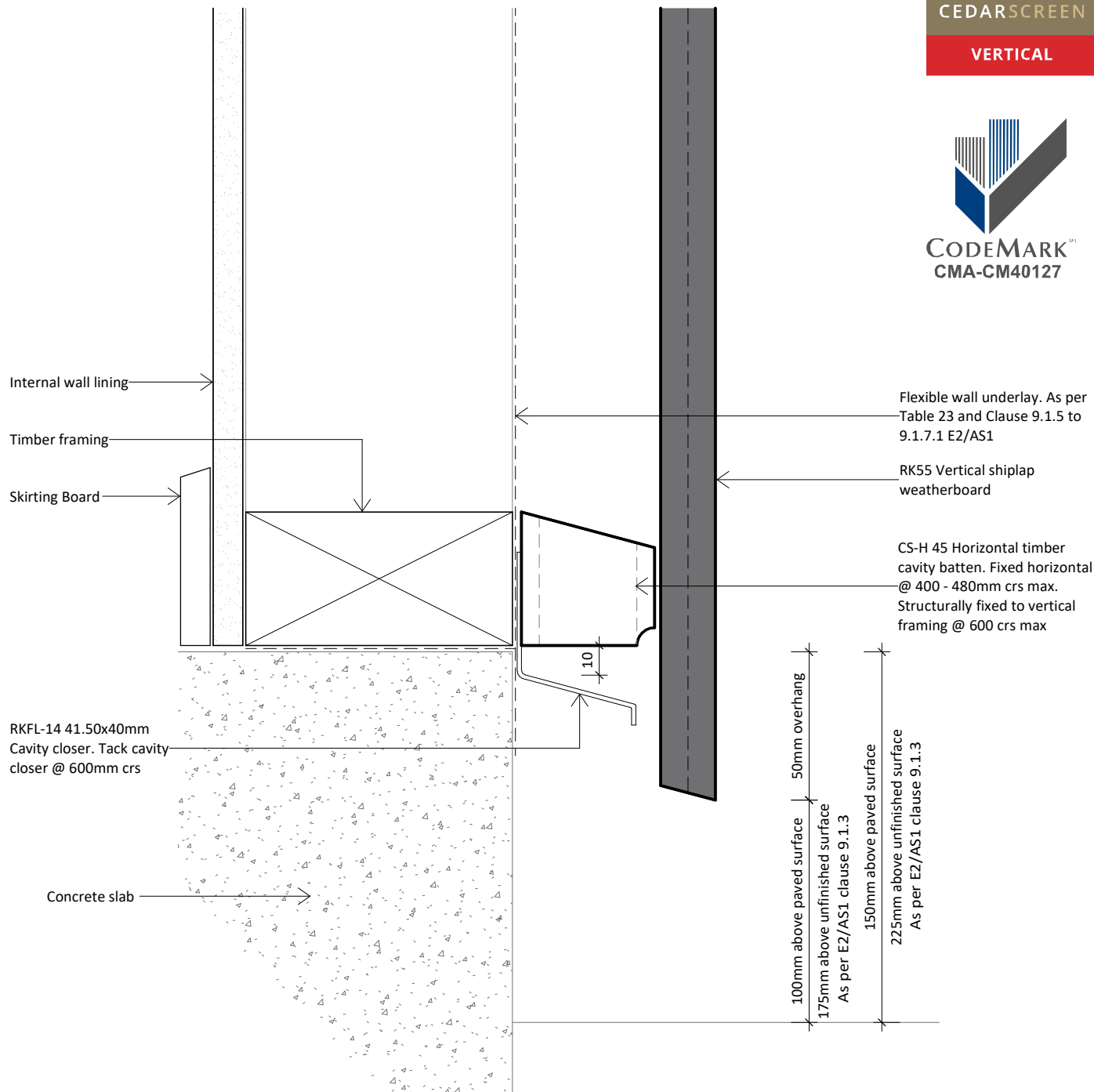
**Christchurch Branch:**  
T: +64 3 349 3316  
F: +64 3 349 3317  
15 Edmonton Road  
Hornby, Christchurch 8042

Title **Pipe Penetration Detail**

Drawing **RKV45-FU-31**

Scale 1 : 2 @ A4 Date 02.04.2019

1. Scope as per Clauses 1.0 and 9.4 E2/AS1
2. Profiles as per NZS 3617 Branz Bulletin 411
3. Fixings as per Table 24 E2/AS1
4. Compatibility of materials as per Tables 20-22 E2/AS1
5. Flashing as per Clause 4.0 E2/AS1
6. Rigid and flexible underlay as per Table 23 and Clauses 9.1.5 to 9.1.7 E2/AS1 or proprietary approved alternative
7. All weatherboards to be factory oiled to all faces and weathergrooves prior to installation use and maintain with Dryden products only.
8. The weatherboard system relies on the joinery meeting the requirements of NZS 4211 for the relevant building windzone or wind pressure.
9. Timber to NZBC B2 Durability B2.3.1 (b), Western Red Cedar, Larch and Truwood®



www.rosenfeldkidson.co.nz

Postal address: PO Box 621,  
Shortland Street, Auckland 1140

**Auckland Branch:**

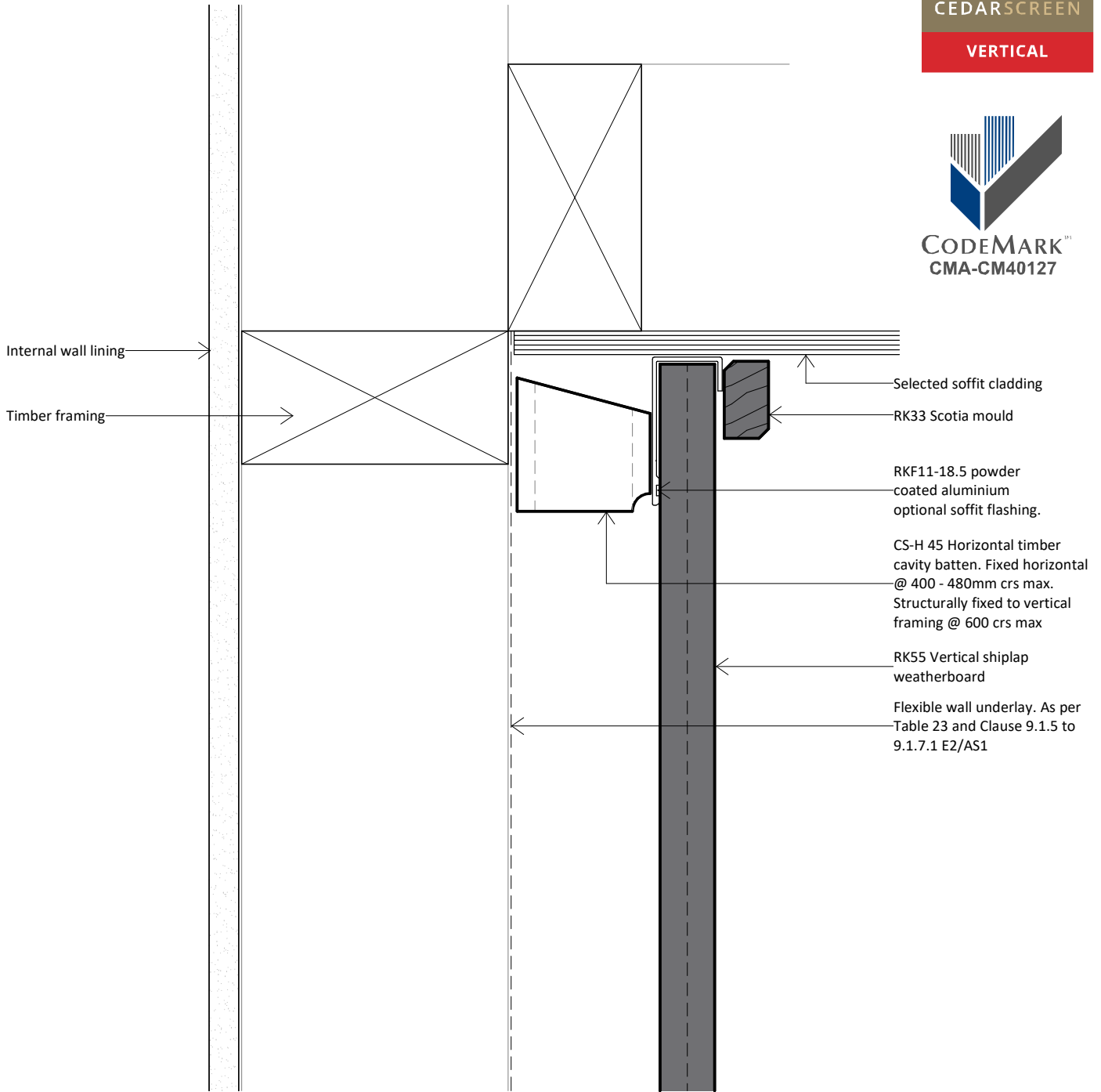
T: +64 9 573 0503  
F: +64 9 573 0504  
513 Mt Wellington Highway  
Mt Wellington, Auckland 1060

**Christchurch Branch:**

T: +64 3 349 3316  
F: +64 3 349 3317  
15 Edmonton Road  
Hornby, Christchurch 8042

Title	<b>Bottom Plate Detail</b>		
Drawing	<b>RKV45-FU-41</b>		
Scale	1 : 2 @ A4	Date	02.04.2019

1. Scope as per Clauses 1.0 and 9.4 E2/AS1
2. Profiles as per NZS 3617 Branz Bulletin 411
3. Fixings as per Table 24 E2/AS1
4. Compatibility of materials as per Tables 20-22 E2/AS1
5. Flashing as per Clause 4.0 E2/AS1
6. Rigid and flexible underlay as per Table 23 and Clauses 9.1.5 to 9.1.7 E2/AS1 or proprietary approved alternative
7. All weatherboards to be factory oiled to all faces and weathergrooves prior to installation use and maintain with Dryden products only.
8. The weatherboard system relies on the joinery meeting the requirements of NZS 4211 for the relevant building windzone or wind pressure.
9. Timber to NZBC B2 Durability B2.3.1 (b), Western Red Cedar, Larch and Truwood®



www.rosenfeldkidson.co.nz

Postal address: PO Box 621,  
Shortland Street, Auckland 1140

**Auckland Branch:**  
T: +64 9 573 0503  
F: +64 9 573 0504  
513 Mt Wellington Highway  
Mt Wellington, Auckland 1060

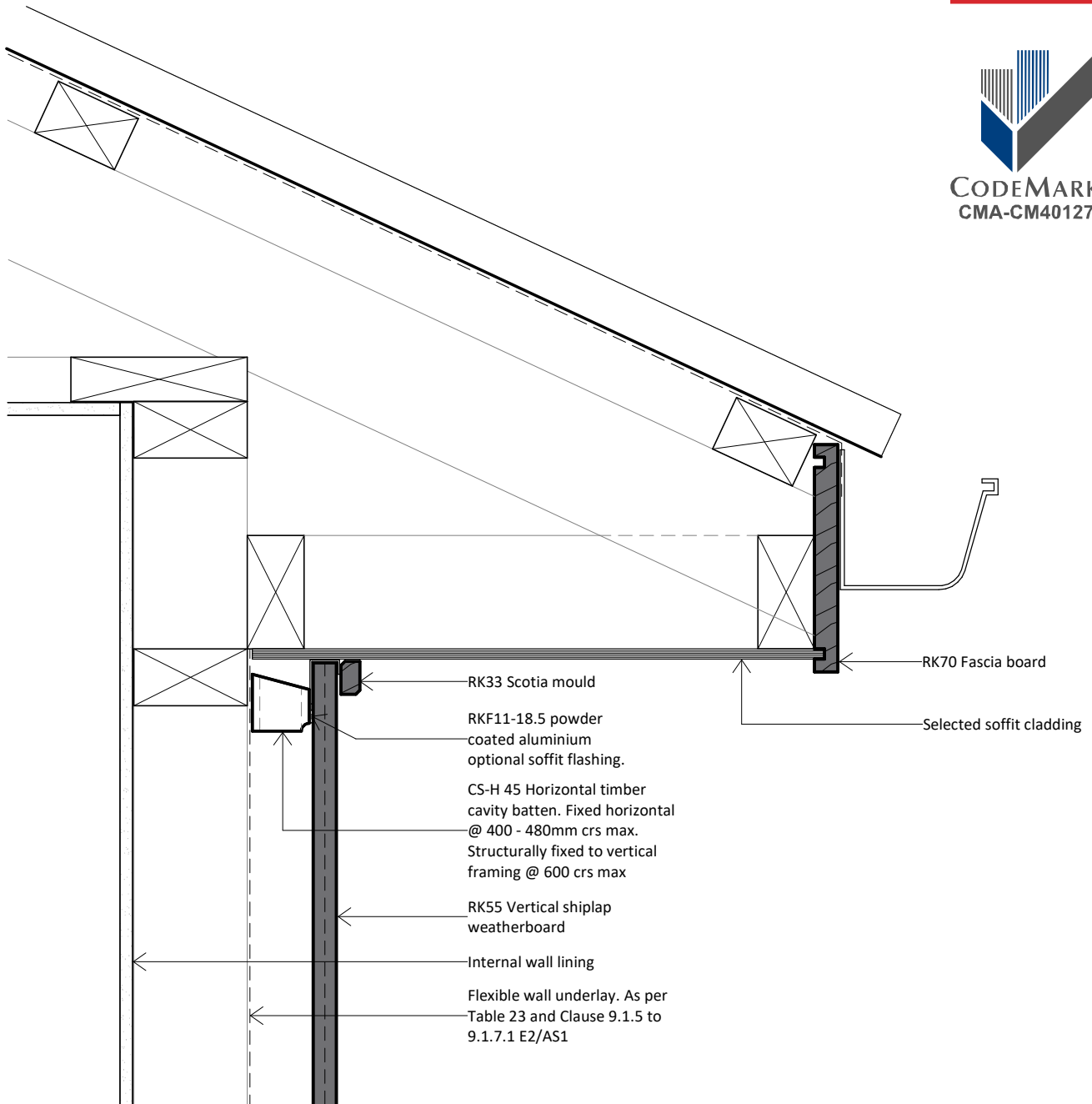
**Christchurch Branch:**  
T: +64 3 349 3316  
F: +64 3 349 3317  
15 Edmonton Road  
Hornby, Christchurch 8042

Title **Top Plate to Soffit Detail**

Drawing **RKV45-FU-42**

Scale 1 : 2 @ A4 Date 02.04.2019

1. Scope as per Clauses 1.0 and 9.4 E2/AS1
2. Profiles as per NZS 3617 Branz Bulletin 411
3. Fixings as per Table 24 E2/AS1
4. Compatibility of materials as per Tables 20-22 E2/AS1
5. Flashing as per Clause 4.0 E2/AS1
6. Rigid and flexible underlay as per Table 23 and Clauses 9.1.5 to 9.1.7 E2/AS1 or proprietary approved alternative
7. All weatherboards to be factory oiled to all faces and weathergrooves prior to installation use and maintain with Dryden products only.
8. The weatherboard system relies on the joinery meeting the requirements of NZS 4211 for the relevant building windzone or wind pressure.
9. Timber to NZBC B2 Durability B2.3.1 (b), Western Red Cedar, Larch and Truwood®



www.rosenfeldkidson.co.nz

Postal address: PO Box 621,  
Shortland Street, Auckland 1140

**Auckland Branch:**

T: +64 9 573 0503  
F: +64 9 573 0504  
513 Mt Wellington Highway  
Mt Wellington, Auckland 1060

**Christchurch Branch:**

T: +64 3 349 3316  
F: +64 3 349 3317  
15 Edmonton Road  
Hornby, Christchurch 8042

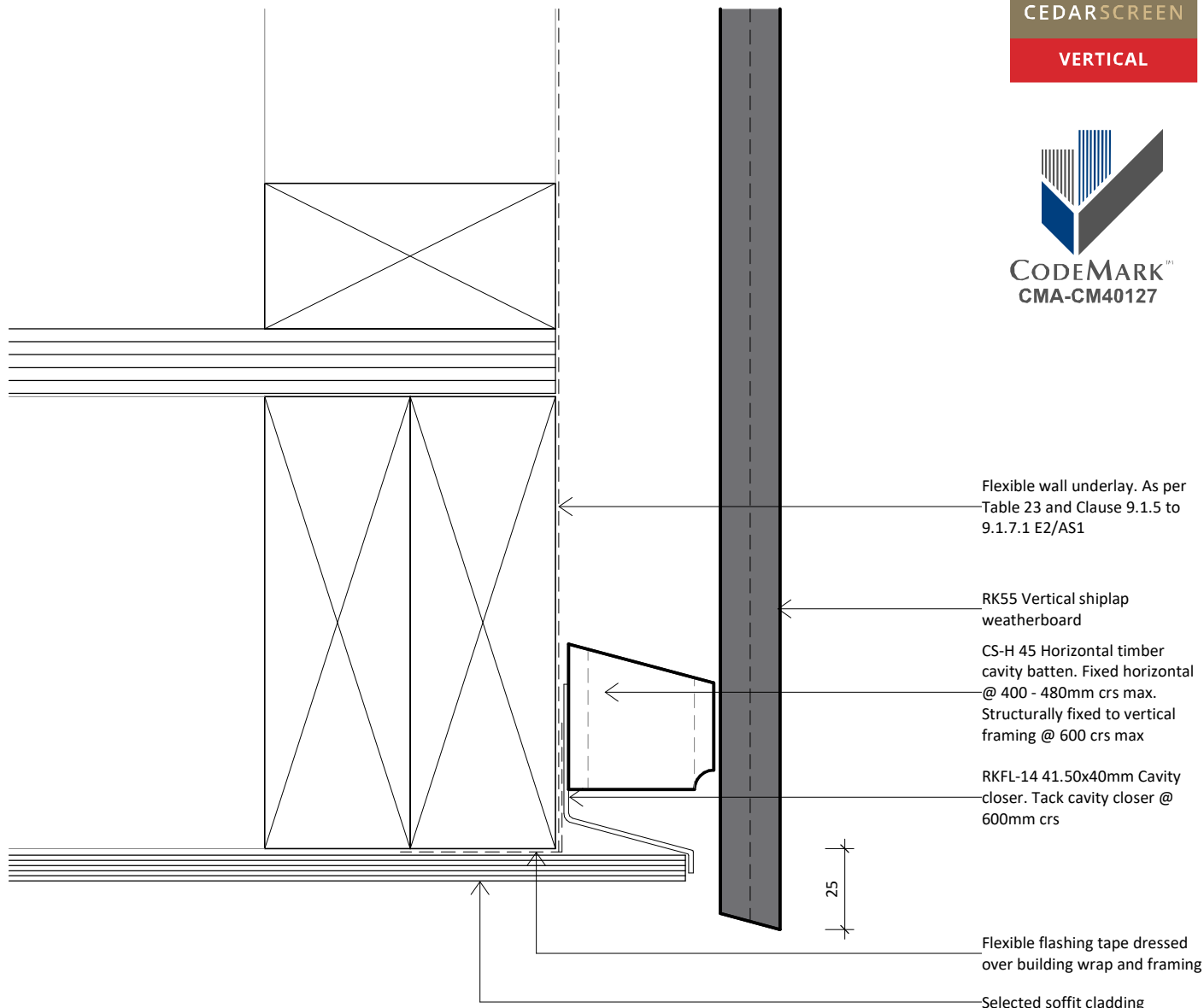
Title **Barge Detail**

Drawing **RKV45-FU-43**

Scale 1 : 5 @ A4 Date 02.04.2019



1. Scope as per Clauses 1.0 and 9.4 E2/AS1
2. Profiles as per NZS 3617 Branz Bulletin 411
3. Fixings as per Table 24 E2/AS1
4. Compatibility of materials as per Tables 20-22 E2/AS1
5. Flashing as per Clause 4.0 E2/AS1
6. Rigid and flexible underlay as per Table 23 and Clauses 9.1.5 to 9.1.7 E2/AS1 or proprietary approved alternative
7. All weatherboards to be factory oiled to all faces and weathergrooves prior to installation use and maintain with Dryden products only.
8. The weatherboard system relies on the joinery meeting the requirements of NZS 4211 for the relevant building windzone or wind pressure.
9. Timber to NZBC B2 Durability B2.3.1 (b), Western Red Cedar, Larch and Truwood®



www.rosenfeldkidson.co.nz

Postal address: PO Box 621,  
Shortland Street, Auckland 1140

**Auckland Branch:**

T: +64 9 573 0503  
F: +64 9 573 0504  
513 Mt Wellington Highway  
Mt Wellington, Auckland 1060

**Christchurch Branch:**

T: +64 3 349 3316  
F: +64 3 349 3317  
15 Edmonton Road  
Hornby, Christchurch 8042

Title **Soffit Detail**

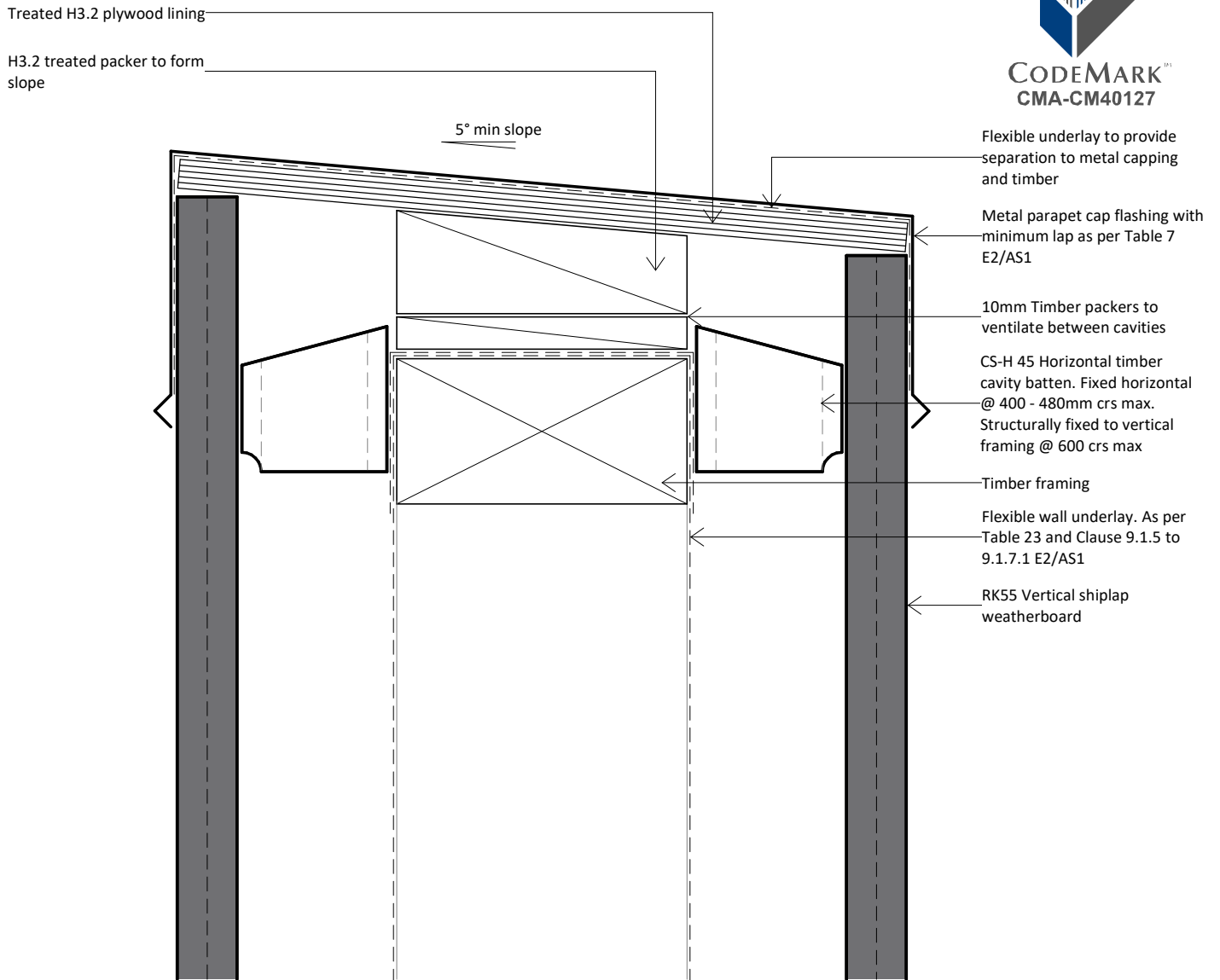
Drawing

**RKV45-FU-44**

Scale 1 : 2 @ A4

Date 02.04.2019

1. Scope as per Clauses 1.0 and 9.4 E2/AS1
2. Profiles as per NZS 3617 Branz Bulletin 411
3. Fixings as per Table 24 E2/AS1
4. Compatibility of materials as per Tables 20-22 E2/AS1
5. Flashing as per Clause 4.0 E2/AS1
6. Rigid and flexible underlay as per Table 23 and Clauses 9.1.5 to 9.1.7 E2/AS1 or proprietary approved alternative
7. All weatherboards to be factory oiled to all faces and weathergrooves prior to installation use and maintain with Dryden products only.
8. The weatherboard system relies on the joinery meeting the requirements of NZS 4211 for the relevant building windzone or wind pressure.
9. Timber to NZBC B2 Durability B2.3.1 (b), Western Red Cedar, Larch and Truwood®



www.rosenfeldkidson.co.nz

Postal address: PO Box 621,  
Shortland Street, Auckland 1140

**Auckland Branch:**  
T: +64 9 573 0503  
F: +64 9 573 0504  
513 Mt Wellington Highway  
Mt Wellington, Auckland 1060

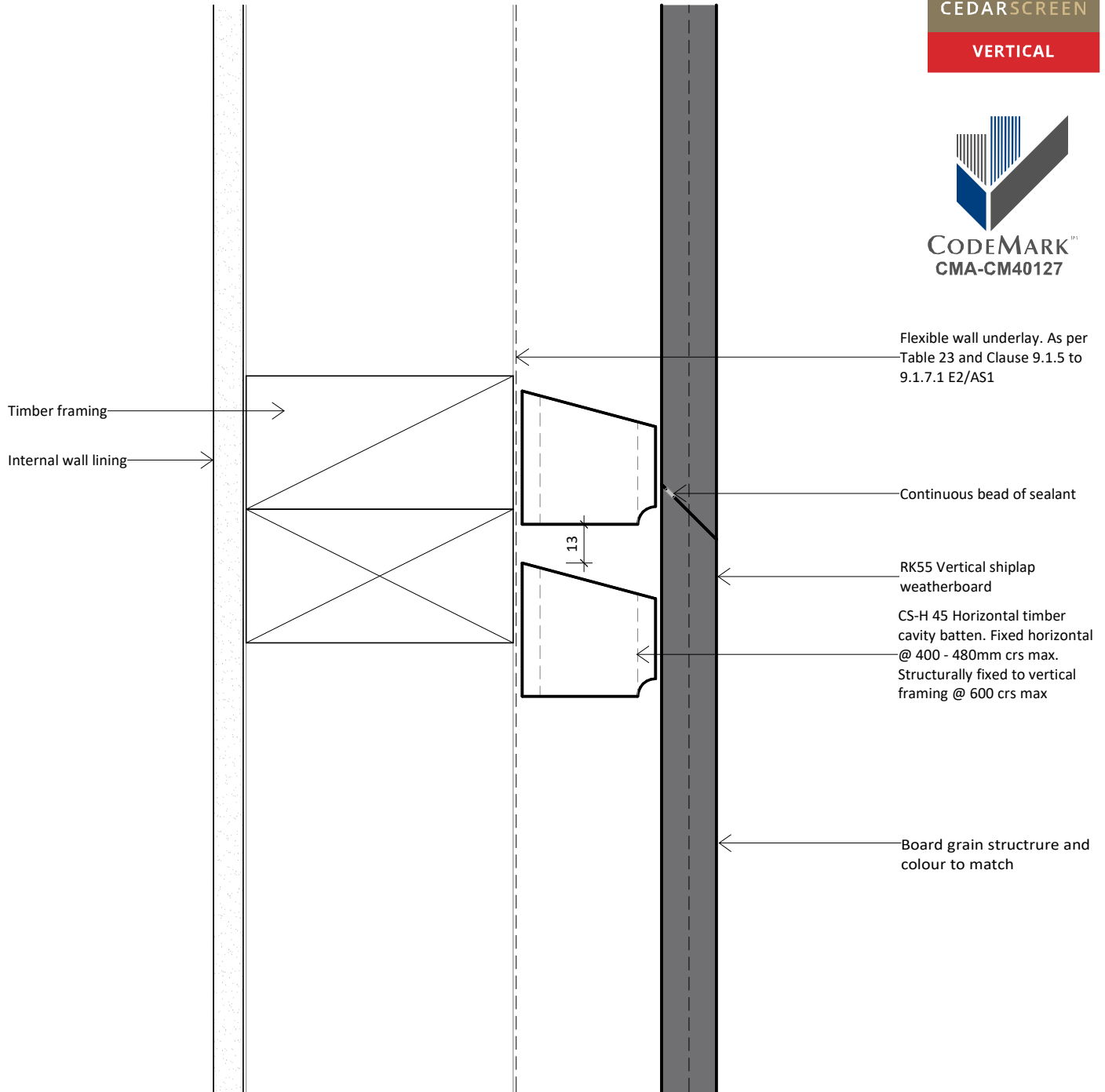
**Christchurch Branch:**  
T: +64 3 349 3316  
F: +64 3 349 3317  
15 Edmonton Road  
Hornby, Christchurch 8042

Title **Parapet Detail**

Drawing **RKV45-FU-45**

Scale 1 : 2 @ A4 Date 02.04.2019

1. Scope as per Clauses 1.0 and 9.4 E2/AS1
2. Profiles as per NZS 3617 Branz Bulletin 411
3. Fixings as per Table 24 E2/AS1
4. Compatibility of materials as per Tables 20-22 E2/AS1
5. Flashing as per Clause 4.0 E2/AS1
6. Rigid and flexible underlay as per Table 23 and Clauses 9.1.5 to 9.1.7 E2/AS1 or proprietary approved alternative
7. All weatherboards to be factory oiled to all faces and weathergrooves prior to installation use and maintain with Dryden products only.
8. The weatherboard system relies on the joinery meeting the requirements of NZS 4211 for the relevant building windzone or wind pressure.
9. Timber to NZBC B2 Durability B2.3.1 (b), Western Red Cedar, Larch and Truwood®



www.rosenfeldkidson.co.nz

Postal address: PO Box 621,  
Shortland Street, Auckland 1140

**Auckland Branch:**

T: +64 9 573 0503  
F: +64 9 573 0504  
513 Mt Wellington Highway  
Mt Wellington, Auckland 1060

**Christchurch Branch:**

T: +64 3 349 3316  
F: +64 3 349 3317  
15 Edmonton Road  
Hornby, Christchurch 8042

Title **Scarf Joint Detail**

Drawing

**RKV45-FU-46**

Scale 1 : 2 @ A4

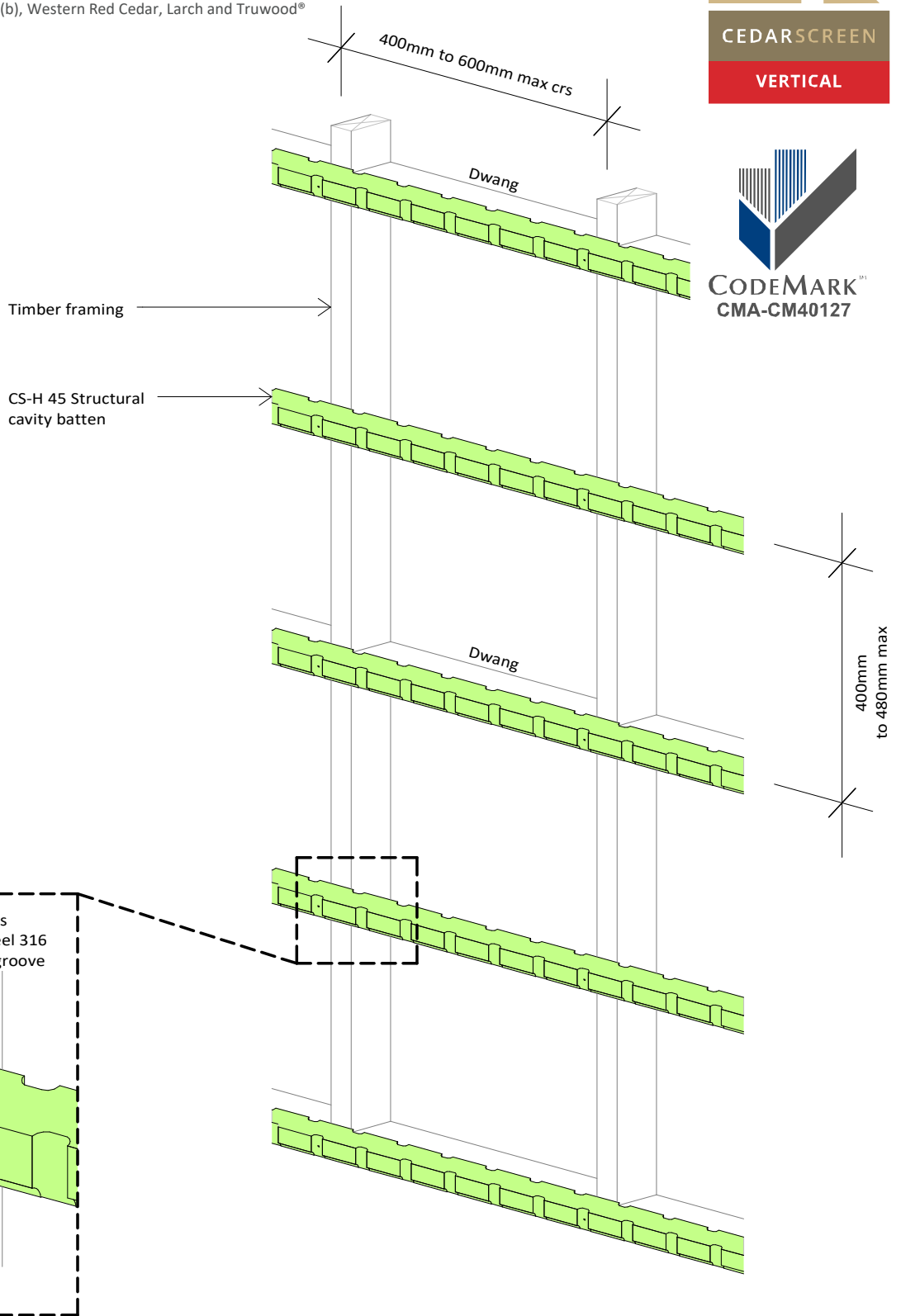
Date 02.04.2019

1. Scope as per Clauses 1.0 and 9.4 E2/AS1
2. Profiles as per NZS 3617 Branz Bulletin 411
3. Fixings as per Table 24 E2/AS1
4. Compatibility of materials as per Tables 20-22 E2/AS1
5. Flashing as per Clause 4.0 E2/AS1
6. Rigid and flexible underlay as per Table 23 and Clauses 9.1.5 to 9.1.7 E2/AS1 or proprietary approved alternative
7. All weatherboards to be factory oiled to all faces and weathergrooves prior to installation use and maintain with Dryden products only.
8. The weatherboard system relies on the joinery meeting the requirements of NZS 4211 for the relevant building windzone or wind pressure.
9. Timber to NZBC B2 Durability B2.3.1 (b), Western Red Cedar, Larch and Truwood®

interactive assembly instructions available  
<http://wksp.nz/rk-v45-fu47>



get WorkingSpec from Apple App Store or Google Play



[www.rosenfeldkidson.co.nz](http://www.rosenfeldkidson.co.nz)

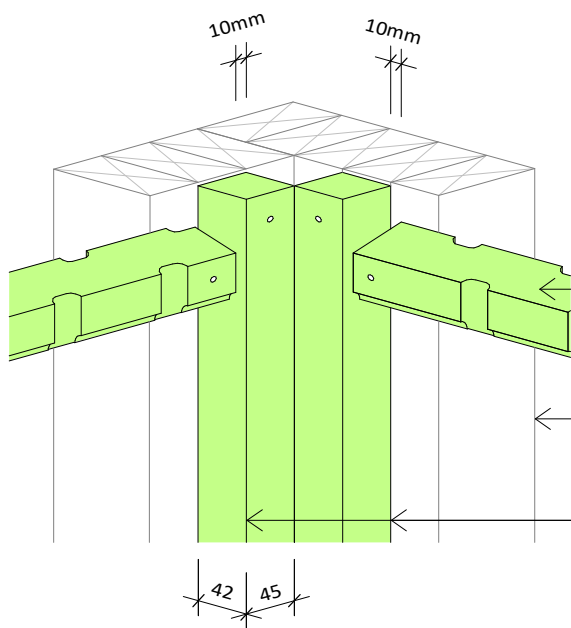
Postal address: PO Box 621,  
Shortland Street, Auckland 1140

**Auckland Branch:**  
 T: +64 9 573 0503  
 F: +64 9 573 0504  
 513 Mt Wellington Highway  
 Mt Wellington, Auckland 1060

**Christchurch Branch:**  
 T: +64 3 349 3316  
 F: +64 3 349 3317  
 15 Edmonton Road  
 Hornby, Christchurch 8042

Title	<b>Structural Cavity Batten Detail</b>		
Drawing	<b>RKV45-FU-47</b>		
Scale	1 : 10 @ A4	Date	02.04.2019

1. Scope as per Clauses 1.0 and 9.4 E2/AS1
2. Profiles as per NZS 3617 Branz Bulletin 411
3. Fixings as per Table 24 E2/AS1
4. Compatibility of materials as per Tables 20-22 E2/AS1
5. Flashing as per Clause 4.0 E2/AS1
6. Rigid and flexible underlay as per Table 23 and Clauses 9.1.5 to 9.1.7 E2/AS1 or proprietary approved alternative
7. All weatherboards to be factory oiled to all faces and weathergrooves prior to installation use and maintain with Dryden products only.
8. The weatherboard system relies on the joinery meeting the requirements of NZS 4211 for the relevant building windzone or wind pressure.
9. Timber to NZBC B2 Durability B2.3.1 (b), Western Red Cedar, Larch and Truwood®



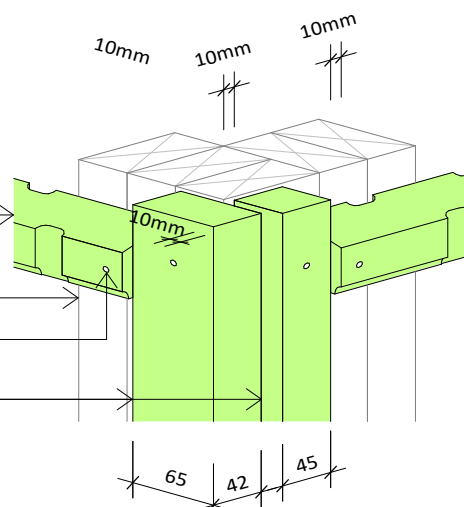
Internal Corner Detail

CS-H 45 Horizontal timber cavity batten. Fixed horizontal @ 400mm crs max. Structurally fixed to vertical framing @ 600 crs max

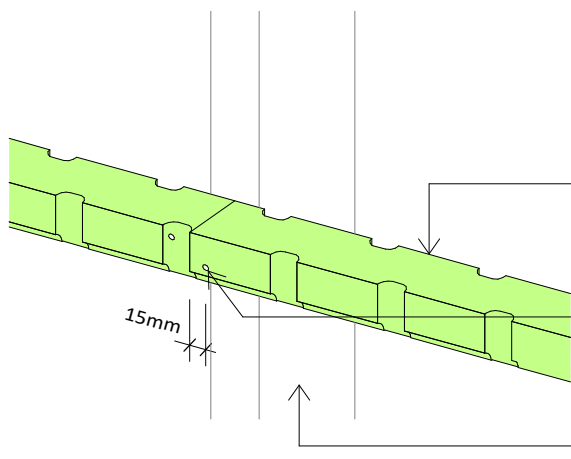
Timber framing

90 x 3.30 Stainless steel 316 annular groove

CS-V 45 Vertical timber cavity batten



External Corner Detail



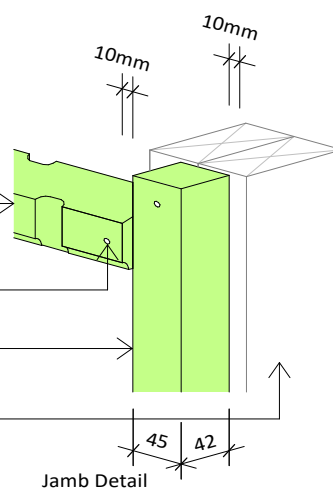
Batten Joint Detail

CS-H 45 Horizontal timber cavity batten. Fixed horizontal @ 400mm crs max. Structurally fixed to vertical framing @ 600 crs max

90 x 3.30 Stainless steel 316 annular groove

CS-V 45 Vertical timber cavity batten

Timber framing



Jamb Detail

**Note:** 10mm gap between vertical & horizontal batten junctions as shown



www.rosenfeldkidson.co.nz

Postal address: PO Box 621,  
Shortland Street, Auckland 1140

**Auckland Branch:**  
T: +64 9 573 0503  
F: +64 9 573 0504  
513 Mt Wellington Highway  
Mt Wellington, Auckland 1060

**Christchurch Branch:**  
T: +64 3 349 3316  
F: +64 3 349 3317  
15 Edmonton Road  
Hornby, Christchurch 8042

Title	<b>Batten Details</b>		
Drawing	<b>RKV45-FU-48</b>		
Scale	1 : 5 @ A4	Date	02.04.2019

1. Scope as per Clauses 1.0 and 9.4 E2/AS1
2. Profiles as per NZS 3617 Branz Bulletin 411
3. Fixings as per Table 24 E2/AS1
4. Compatibility of materials as per Tables 20-22 E2/AS1
5. Flashing as per Clause 4.0 E2/AS1
6. Rigid and flexible underlay as per Table 23 and Clauses 9.1.5 to 9.1.7 E2/AS1 or proprietary approved alternative
7. All weatherboards to be factory oiled to all faces and weathergrooves prior to installation use and maintain with Dryden products only.
8. The weatherboard system relies on the joinery meeting the requirements of NZS 4211 for the relevant building windzone or wind pressure.
9. Timber to NZBC B2 Durability B2.3.1 (b), Western Red Cedar, Larch and Truwood®

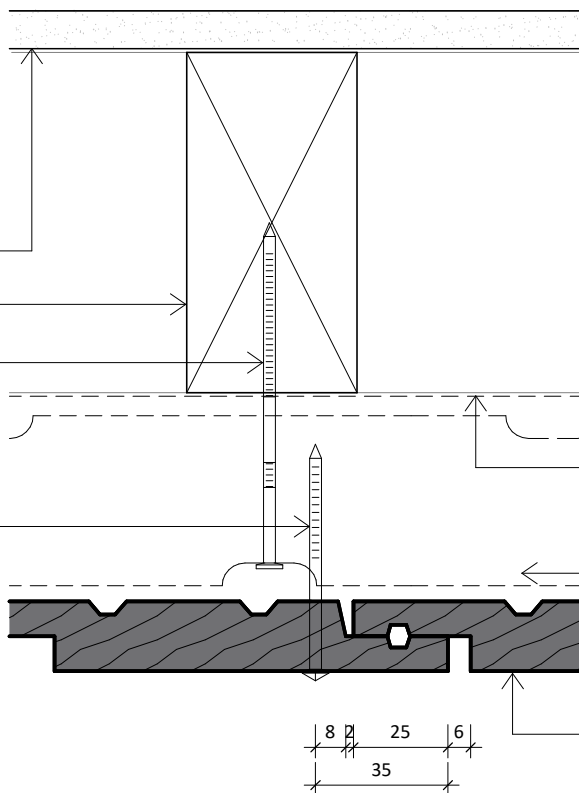


interactive assembly instructions available  
<http://wksp.nz/rk-v45-fu51>



get WorkingSpec from Apple App Store or Google Play

Internal wall lining  
 Timber framing  
 90 x 3.30mm Stainless steel 316  
 60 x 3.15 Annular grooved nail. Stainless steel 316 or silicon bronze.

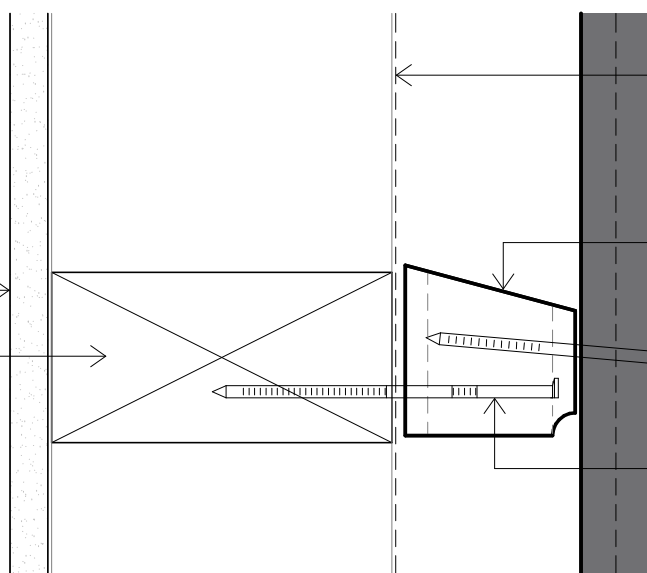


**Horizontal fixing**

Flexible wall underlay. As per Table 23 and Clause 9.1.5 to 9.1.7.1 E2/AS1  
 CS-H 45 Horizontal timber cavity batten. Fixed horizontal @ 400 - 480mm crs max. Structurally fixed to vertical framing @ 600 crs max

RK55 Vertical shiplap weatherboard

Internal wall lining  
 Timber framing



Flexible wall underlay. As per Table 23 and Clause 9.1.5 to 9.1.7.1 E2/AS1  
 RK55 Vertical shiplap weatherboard  
 CS-H 45 Horizontal timber cavity batten. Fixed horizontal @ 400 - 480mm crs max. Structurally fixed to vertical framing @ 600 crs max

60 x 3.15 Annular grooved nail. Stainless steel 316 or silicon bronze.

90 x 3.30mm Stainless steel 316



[www.rosenfeldkidson.co.nz](http://www.rosenfeldkidson.co.nz)

Postal address: PO Box 621, Shortland Street, Auckland 1140

**Auckland Branch:**  
 T: +64 9 573 0503  
 F: +64 9 573 0504  
 513 Mt Wellington Highway  
 Mt Wellington, Auckland 1060

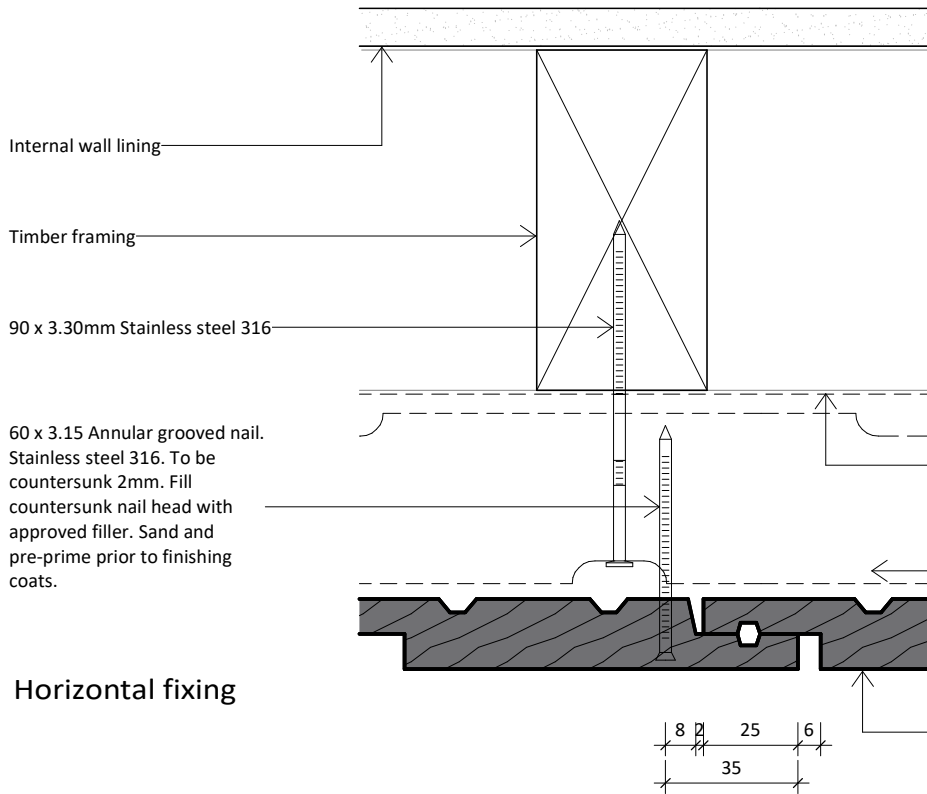
**Christchurch Branch:**  
 T: +64 3 349 3316  
 F: +64 3 349 3317  
 15 Edmonton Road  
 Hornby, Christchurch 8042

Title **Nail Fixing Detail**

Drawing **RKV45-FU-51**

Scale 1 : 2 @ A4 Date 02.04.2019

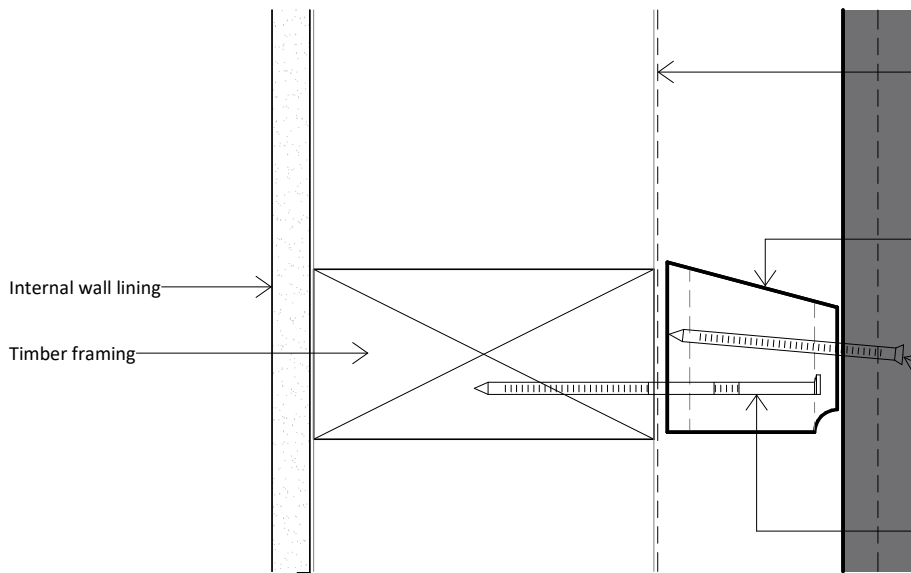
1. Scope as per Clauses 1.0 and 9.4 E2/AS1
2. Profiles as per NZS 3617 Branz Bulletin 411
3. Fixings as per Table 24 E2/AS1
4. Compatibility of materials as per Tables 20-22 E2/AS1
5. Flashing as per Clause 4.0 E2/AS1
6. Rigid and flexible underlay as per Table 23 and Clauses 9.1.5 to 9.1.7 E2/AS1 or proprietary approved alternative
7. All weatherboards to be factory oiled to all faces and weathergrooves prior to installation use and maintain with Dryden products only.
8. The weatherboard system relies on the joinery meeting the requirements of NZS 4211 for the relevant building windzone or wind pressure.
9. Timber to NZBC B2 Durability B2.3.1 (b), Western Red Cedar, Larch and Truwood®



Flexible wall underlay. As per Table 23 and Clause 9.1.5 to 9.1.7.1 E2/AS1

CS-H 45 Horizontal timber cavity batten. Fixed horizontal @ 400 - 480mm crs max. Structurally fixed to vertical framing @ 600 crs max

RK55 Vertical shiplap weatherboard



### Vertical fixing



www.rosenfeldkidson.co.nz

Postal address: PO Box 621,  
Shortland Street, Auckland 1140

**Auckland Branch:**  
T: +64 9 573 0503  
F: +64 9 573 0504  
513 Mt Wellington Highway  
Mt Wellington, Auckland 1060

**Christchurch Branch:**  
T: +64 3 349 3316  
F: +64 3 349 3317  
15 Edmonton Road  
Hornby, Christchurch 8042

Title **Nail Fixing Detail  
(Paint Finish Only)**

Drawing **RKV45-FU-52**

Scale 1 : 2 @ A4 Date 02.04.2019