

Bevel Back Weatherboard - 20mm Cavity on Flexible Underlay



Drawing	Sheet Name	Date
Typical Details		
RKB-C-00	Index V1	02.04.2019
RKB-C-BATT	RKB Battens	02.04.2019
RKFLG	Flashing Details	02.04.2019
RKFASCIA	Fascia Profiles	02.04.2019
RKB-C-MOULD	RKB Profiles	02.04.2019
RKNAIL	RK Nails	02.04.2019
Window Details		
RKB-C-01	Aluminium Head Detail	02.04.2019
RKB-C-02	Aluminium Jamb Detail	02.04.2019
RKB-C-02a	Aluminium Jamb Detail Option	02.04.2019
RKB-C-03	Aluminium Sill Detail	02.04.2019
Internal Corner Details		
RKB-C-11	Internal Corner Detail - Option 1	02.04.2019
RKB-C-12	Internal Corner Detail - Option 2	02.04.2019
External Corner Details		
RKB-C-21	External Corner Detail - Option 1	02.04.2019
RKB-C-22	External Corner Detail - Option 2	02.04.2019
RKB-C-23	External Corner Detail - Option 3	02.04.2019
Horizontal Details		
RKB-C-31	Pipe Penetration Detail	02.04.2019
Vertical Details		
RKB-C-41	Bottom Plate Detail	02.04.2019
RKB-C-42	Top Plate to Soffit Detail	02.04.2019
RKB-C-43	Barge Detail	02.04.2019
RKB-C-44	Soffit Detail	02.04.2019
RKB-C-45	Parapet Detail	02.04.2019
RKB-C-46	Scarf Joint Detail	02.04.2019
RKB-C-47	Nail Fixing Detail	02.04.2019
RKB-C-49	Nail Fixing Detail (Paint Finish Only)	02.04.2019
Optional Details		
RKB-C-91	Aluminium Boxed Head Detail - Option	02.04.2019
RKB-C-92	Aluminium Boxed Jamb Detail - Option	02.04.2019
RKB-C-93	Aluminium Boxed Sill Detail - Option	02.04.2019
RKB-C-94	External Corner Detail - Option	02.04.2019



www.rosenfeldkidson.co.nz

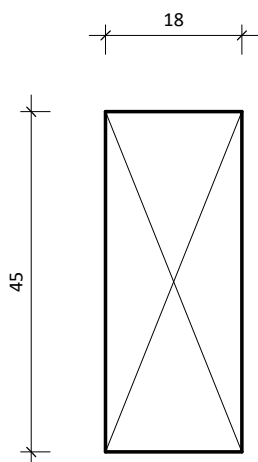
Postal address: PO Box 621,
Shortland Street, Auckland 1140

Auckland Branch:
T: +64 9 573 0503
F: +64 9 573 0504
513 Mt Wellington Highway
Mt Wellington, Auckland 1060

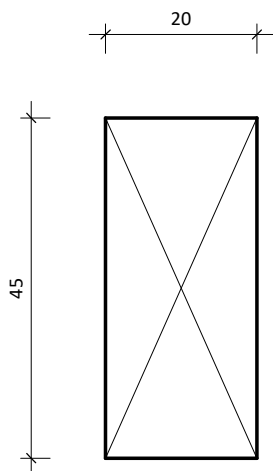
Christchurch Branch:
T: +64 3 349 3316
F: +64 3 349 3317
15 Edmonton Road
Hornby, Christchurch 8042

Title	Index V1
Drawing	RKB-C-00
Scale	@ A4
Date	02.04.2019

1. Scope as per Clauses 1.0 and 9.4 E2/AS1
2. Profiles as per NZS 3617 Branz Bulletin 411
3. Fixings as per Table 24 E2/AS1
4. Compatibility of materials as per Tables 20-22 E2/AS1
5. Flashing as per Clause 4.0 E2/AS1
6. Rigid and flexible underlay as per Table 23 and Clauses 9.1.5 to 9.1.7 E2/AS1 or proprietary approved alternative
7. All weatherboards to be factory oiled to all faces and weathergrooves prior to installation use and maintain with Dryden products only.
8. The weatherboard system relies on the joinery meeting the requirements of NZS 4211 for the relevant building windzone or wind pressure.
9. Timber to NZBC B2 Durability B2.3.1 (b), Western Red Cedar, Larch and Truwood®



18x45mm Vertical timber cavity batten



20x45mm Vertical timber cavity batten



www.rosenfeldkidson.co.nz

Postal address: PO Box 621,
Shortland Street, Auckland 1140

Auckland Branch:
T: +64 9 573 0503
F: +64 9 573 0504
513 Mt Wellington Highway
Mt Wellington, Auckland 1060

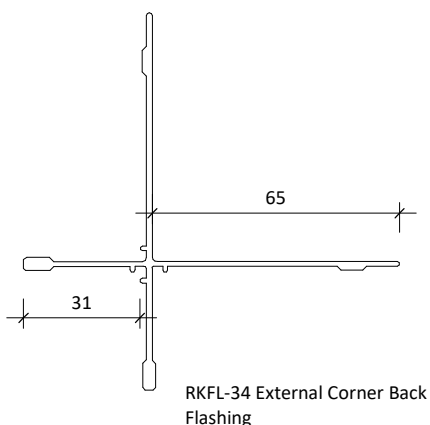
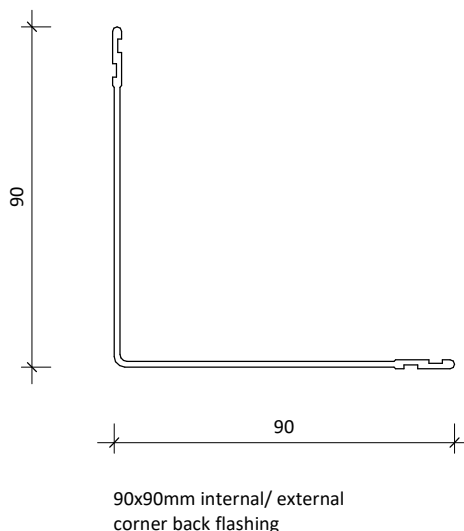
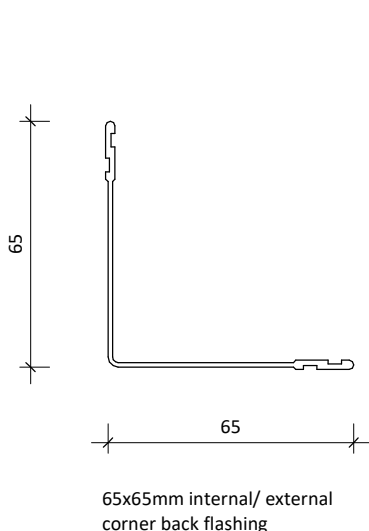
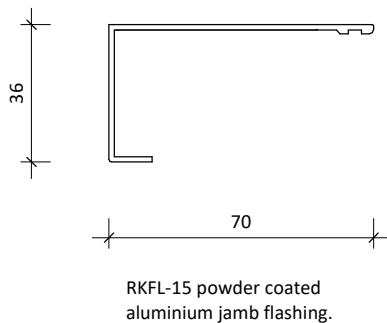
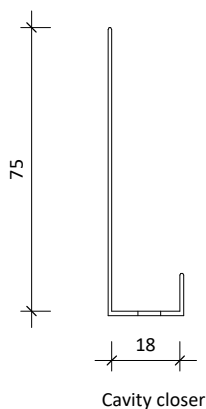
Christchurch Branch:
T: +64 3 349 3316
F: +64 3 349 3317
15 Edmonton Road
Hornby, Christchurch 8042

Title **RKB Battens**

Drawing
RKB-C-BATT

Scale 1 : 1 @ A4 Date 02.04.2019

1. Scope as per Clauses 1.0 and 9.4 E2/AS1
2. Profiles as per NZS 3617 Branz Bulletin 411
3. Fixings as per Table 24 E2/AS1
4. Compatibility of materials as per Tables 20-22 E2/AS1
5. Flashing as per Clause 4.0 E2/AS1
6. Rigid and flexible underlay as per Table 23 and Clauses 9.1.5 to 9.1.7 E2/AS1 or proprietary approved alternative
7. All weatherboards to be factory oiled to all faces and weathergrooves prior to installation use and maintain with Dryden products only.
8. The weatherboard system relies on the joinery meeting the requirements of NZS 4211 for the relevant building windzone or wind pressure.
9. Timber to NZBC B2 Durability B2.3.1 (b), Western Red Cedar, Larch and Truwood®



www.rosenfeldkidson.co.nz

Postal address: PO Box 621,
Shortland Street, Auckland 1140

Auckland Branch:
T: +64 9 573 0503
F: +64 9 573 0504
513 Mt Wellington Highway
Mt Wellington, Auckland 1060

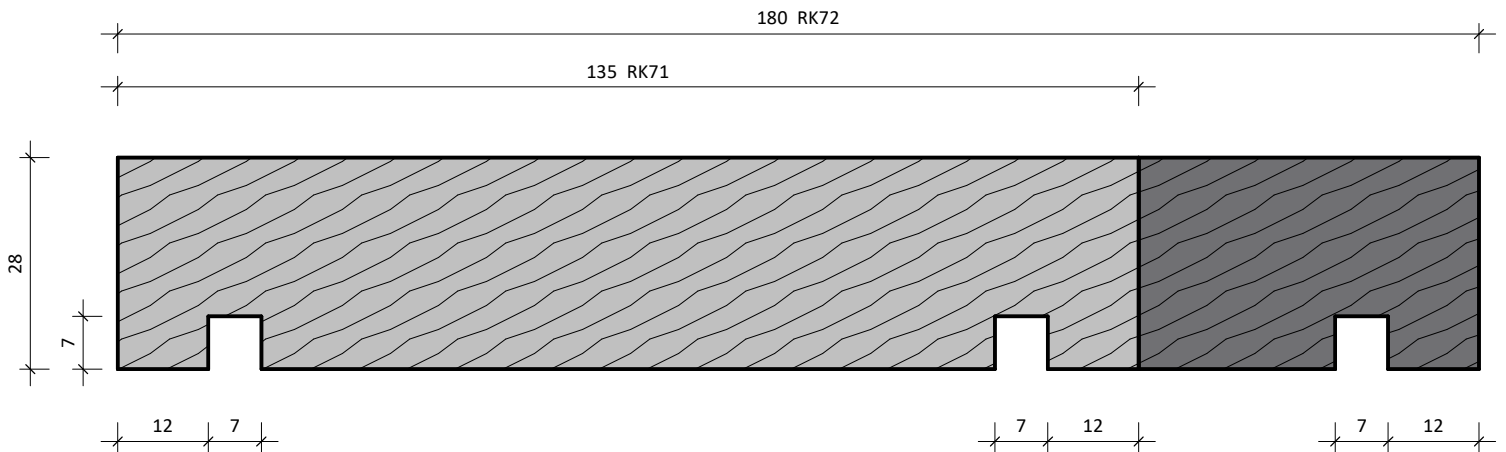
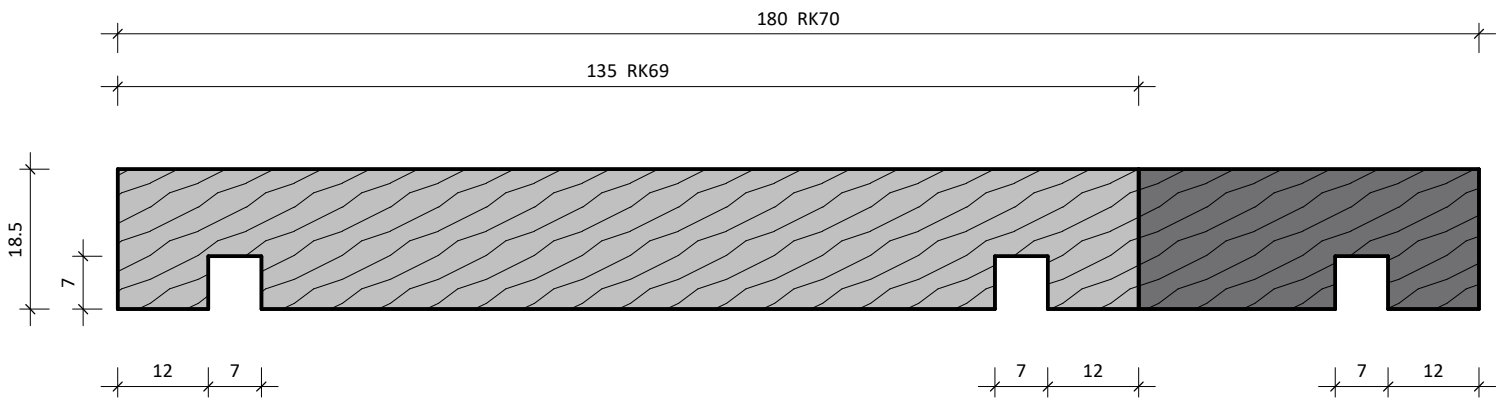
Christchurch Branch:
T: +64 3 349 3316
F: +64 3 349 3317
15 Edmonton Road
Hornby, Christchurch 8042

Title **Flashing Details**

Drawing **RKFLG**

Scale 1 : 2 @ A4 Date 02.04.2019

1. Scope as per Clauses 1.0 and 9.4 E2/AS1
2. Profiles as per NZS 3617 Branz Bulletin 411
3. Fixings as per Table 24 E2/AS1
4. Compatibility of materials as per Tables 20-22 E2/AS1
5. Flashing as per Clause 4.0 E2/AS1
6. Rigid and flexible underlay as per Table 23 and Clauses 9.1.5 to 9.1.7 E2/AS1 or proprietary approved alternative
7. All weatherboards to be factory oiled to all faces and weathergrooves prior to installation use and maintain with Dryden products only.
8. The weatherboard system relies on the joinery meeting the requirements of NZS 4211 for the relevant building windzone or wind pressure.
9. Timber to NZBC B2 Durability B2.3.1 (b), Western Red Cedar, Larch and Truwood®



www.rosenfeldkidson.co.nz

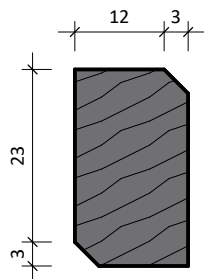
Postal address: PO Box 621,
Shortland Street, Auckland 1140

Auckland Branch:
T: +64 9 573 0503
F: +64 9 573 0504
513 Mt Wellington Highway
Mt Wellington, Auckland 1060

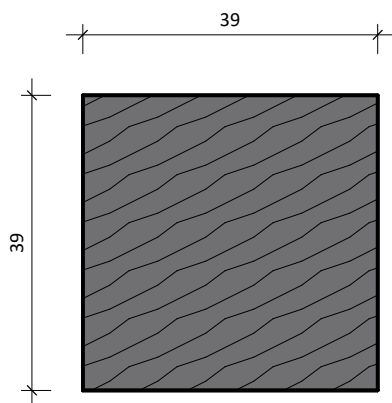
Christchurch Branch:
T: +64 3 349 3316
F: +64 3 349 3317
15 Edmonton Road
Hornby, Christchurch 8042

Title	Fascia Profiles		
Drawing	RKFASCIA		
Scale	1 : 1 @ A4	Date	02.04.2019

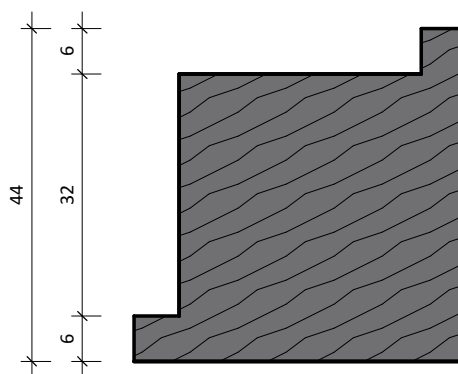
1. Scope as per Clauses 1.0 and 9.4 E2/AS1
2. Profiles as per NZS 3617 Branz Bulletin 411
3. Fixings as per Table 24 E2/AS1
4. Compatibility of materials as per Tables 20-22 E2/AS1
5. Flashing as per Clause 4.0 E2/AS1
6. Rigid and flexible underlay as per Table 23 and Clauses 9.1.5 to 9.1.7 E2/AS1 or proprietary approved alternative
7. All weatherboards to be factory oiled to all faces and weathergrooves prior to installation use and maintain with Dryden products only.
8. The weatherboard system relies on the joinery meeting the requirements of NZS 4211 for the relevant building windzone or wind pressure.
9. Timber to NZBC B2 Durability B2.3.1 (b), Western Red Cedar, Larch and Truwood®



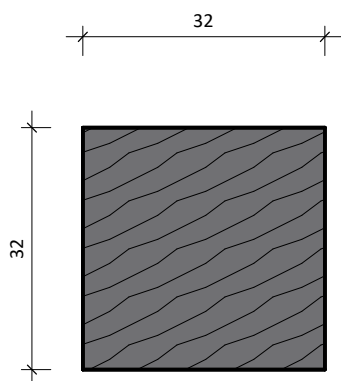
RK33 Scotia mould



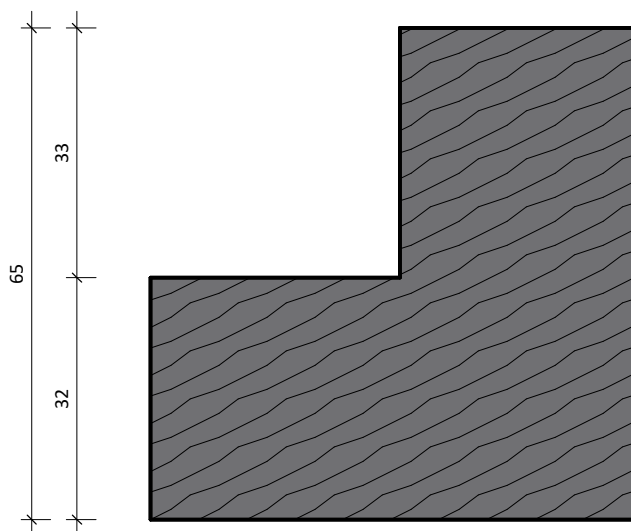
RK110 Internal timber moulding



RKA908 External timber moulding



RK81 Timber moulding



RKA904 External timber moulding



www.rosenfeldkidson.co.nz

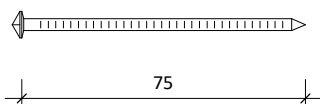
Postal address: PO Box 621,
Shortland Street, Auckland 1140

Auckland Branch:
T: +64 9 573 0503
F: +64 9 573 0504
513 Mt Wellington Highway
Mt Wellington, Auckland 1060

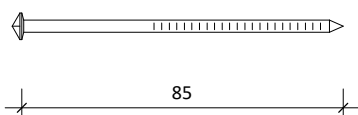
Christchurch Branch:
T: +64 3 349 3316
F: +64 3 349 3317
15 Edmonton Road
Hornby, Christchurch 8042

Title	RKB Profiles		
Drawing	RKB-C-MOULD		
Scale	1 : 1 @ A4	Date	02.04.2019

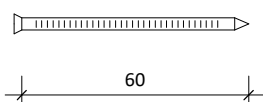
1. Scope as per Clauses 1.0 and 9.4 E2/AS1
2. Profiles as per NZS 3617 Branz Bulletin 411
3. Fixings as per Table 24 E2/AS1
4. Compatibility of materials as per Tables 20-22 E2/AS1
5. Flashing as per Clause 4.0 E2/AS1
6. Rigid and flexible underlay as per Table 23 and Clauses 9.1.5 to 9.1.7 E2/AS1 or proprietary approved alternative
7. All weatherboards to be factory oiled to all faces and weathergrooves prior to installation use and maintain with Dryden products only.
8. The weatherboard system relies on the joinery meeting the requirements of NZS 4211 for the relevant building windzone or wind pressure.
9. Timber to NZBC B2 Durability B2.3.1 (b), Western Red Cedar, Larch and Truwood®



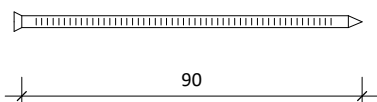
Direct fixed 75 x 3.15mm



Cavity fixed 85 x 3.15mm

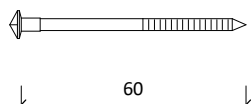


Direct fixed 60 x 3.30mm Stainless steel nail
Jolthead nail for paint finish weatherboards.

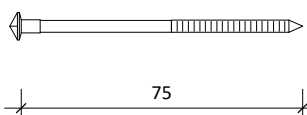


Cavity fixed 90 x 3.30mm Stainless steel nail
Jolthead nail for paint finish weatherboards.

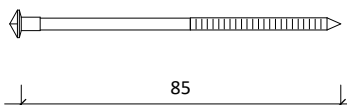
RK Plug Nail Range



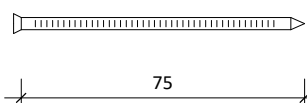
Cedarscreen Plug Nail 60 x 3.15mm



Cedarscreen Plug Nail 75 x 3.15mm



Cedarscreen Plug Nail 85 x 3.15mm



Cavity fixed 75 x 3.30mm Stainless steel nail
Jolthead nail for paint finish weatherboards.



www.rosenfeldkidson.co.nz

Postal address: PO Box 621,
Shortland Street, Auckland 1140

Auckland Branch:
T: +64 9 573 0503
F: +64 9 573 0504
513 Mt Wellington Highway
Mt Wellington, Auckland 1060

Christchurch Branch:
T: +64 3 349 3316
F: +64 3 349 3317
15 Edmonton Road
Hornby, Christchurch 8042

Title	RK Nails		
Drawing	RKNAIL		
Scale	1 : 2 @ A4	Date	02.04.2019

1. Scope as per Clauses 1.0 and 9.4 E2/AS1
2. Profiles as per NZS 3617 Branz Bulletin 411
3. Fixings as per Table 24 E2/AS1
4. Compatibility of materials as per Tables 20-22 E2/AS1
5. Flashing as per Clause 4.0 E2/AS1
6. Rigid and flexible underlay as per Table 23 and Clauses 9.1.5 to 9.1.7 E2/AS1 or proprietary approved alternative
7. All weatherboards to be factory oiled to all faces and weathergrooves prior to installation use and maintain with Dryden products only.
8. The weatherboard system relies on the joinery meeting the requirements of NZS 4211 for the relevant building windzone or wind pressure.
9. Timber to NZBC B2 Durability B2.3.1 (b), Western Red Cedar, Larch and Truwood®



20x45mm Vertical timber cavity batten

Flexible wall underlay. As per Table 23 and Clauses 9.1.5 to 9.1.7.1 E2/AS1

Timber framing

Internal wall lining

Bevel back cladding block behind as necessary for support

Proprietary prefolded head flashing with 15° fall

Head flashing turned up to form stop end

Cavity closer

Continuous air seal

Temporary packer

Refer weatherboard profile sheets

Flashing tape over head flashing

RK61 Bevel Back weatherboard

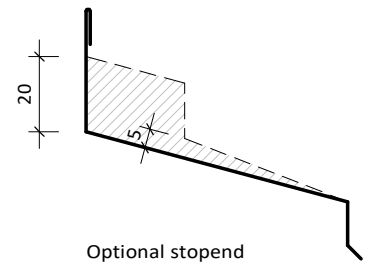
75mm Cover to flashing for extra high wind zones

For extra high wind zone only head flashing is bedded on continuous bead of sealant. Refer Page 104 fig 71 E2/AS1

Flexible flashing tape over flexible wall underlay. As per Clause 9.1.5 (a) (b) and figure 72A and 72B E2/AS1

Line of jamb scriber

Window joinery supplied by others



interactive assembly instructions available
<http://wksp.nz/rk-b20-fu01-03>



get WorkingSpec from Apple App Store or Google Play



www.rosenfeldkidson.co.nz

Postal address: PO Box 621,
Shortland Street, Auckland 1140

Auckland Branch:

T: +64 9 573 0503

F: +64 9 573 0504

513 Mt Wellington Highway

Mt Wellington, Auckland 1060

Christchurch Branch:

T: +64 3 349 3316

F: +64 3 349 3317

15 Edmonton Road

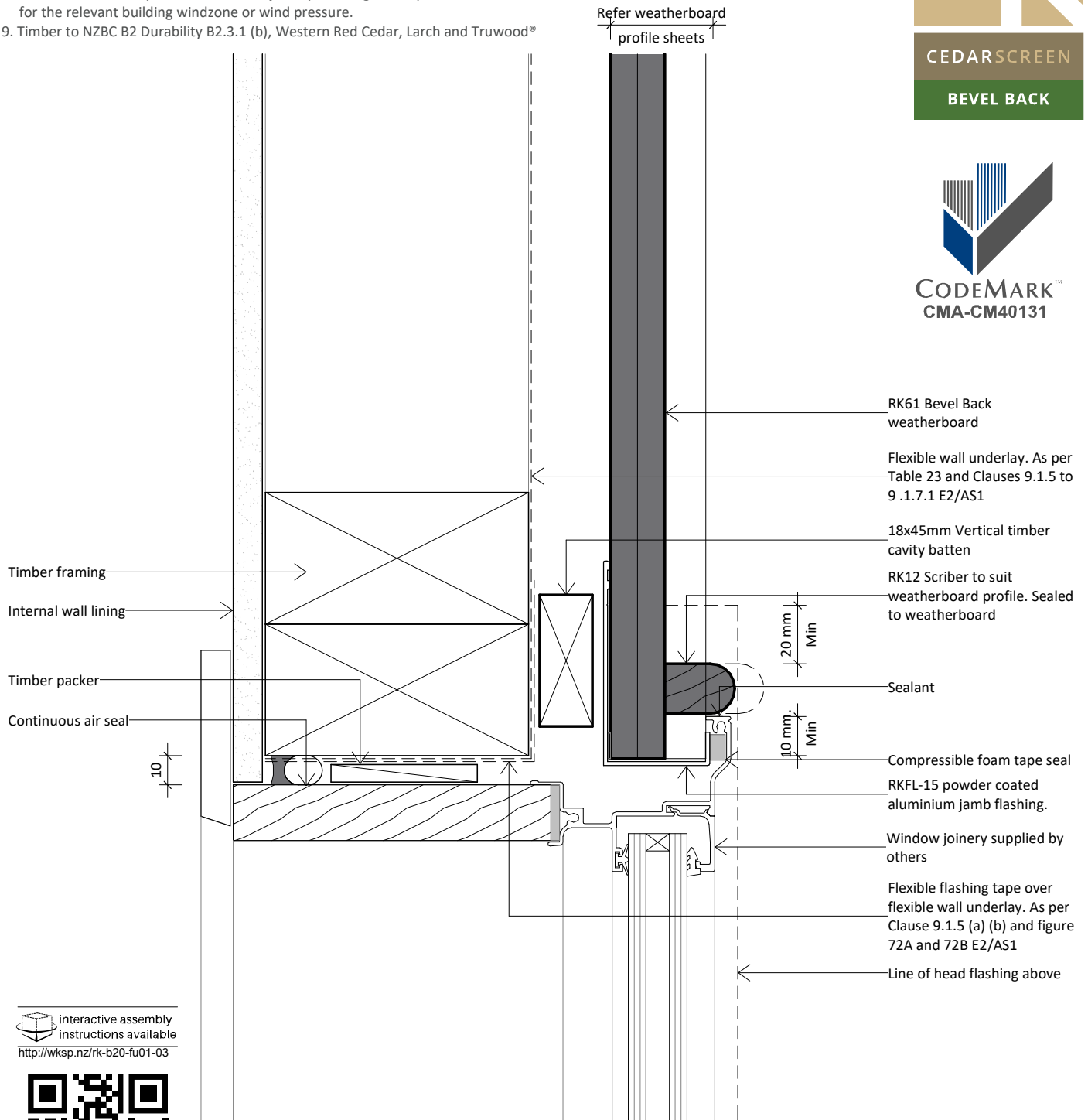
Hornby, Christchurch 8042

Title **Aluminium Head Detail**

Drawing **RKB-C-01**

Scale 1 : 2 @ A4 Date 02.04.2019

1. Scope as per Clauses 1.0 and 9.4 E2/AS1
2. Profiles as per NZS 3617 Branz Bulletin 411
3. Fixings as per Table 24 E2/AS1
4. Compatibility of materials as per Tables 20-22 E2/AS1
5. Flashing as per Clause 4.0 E2/AS1
6. Rigid and flexible underlay as per Table 23 and Clauses 9.1.5 to 9.1.7 E2/AS1 or proprietary approved alternative
7. All weatherboards to be factory oiled to all faces and weathergrooves prior to installation use and maintain with Dryden products only.
8. The weatherboard system relies on the joinery meeting the requirements of NZS 4211 for the relevant building windzone or wind pressure.
9. Timber to NZBC B2 Durability B2.3.1 (b), Western Red Cedar, Larch and Truwood®



interactive assembly instructions available
<http://wksp.nz/rk-b20-fu01-03>



get WorkingSpec from Apple App Store or Google Play



www.rosenfeldkidson.co.nz

Postal address: PO Box 621,
Shortland Street, Auckland 1140

Auckland Branch:
 T: +64 9 573 0503
 F: +64 9 573 0504
 513 Mt Wellington Highway
 Mt Wellington, Auckland 1060

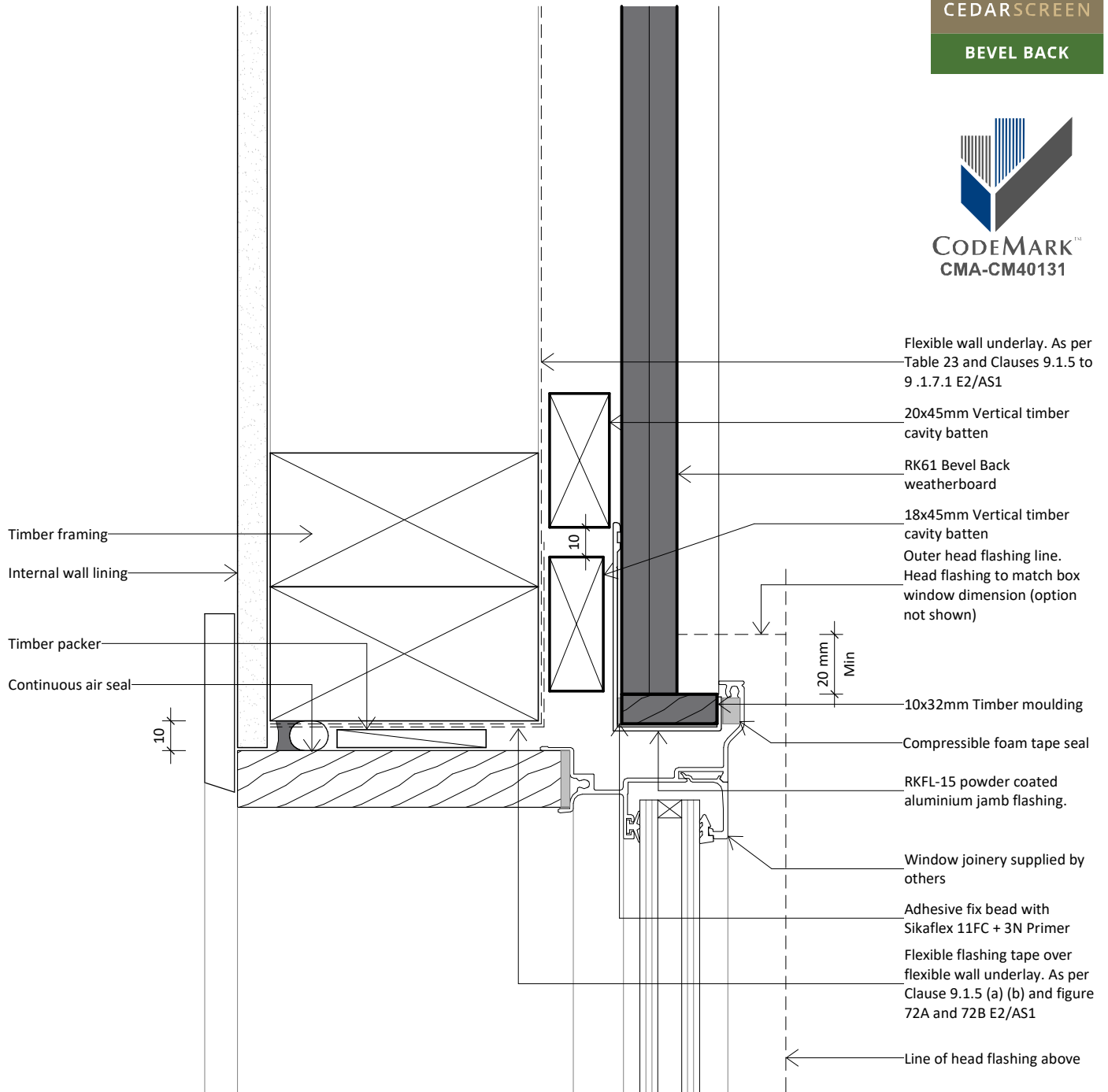
Christchurch Branch:
 T: +64 3 349 3316
 F: +64 3 349 3317
 15 Edmonton Road
 Hornby, Christchurch 8042

Title **Aluminium Jamb Detail**

Drawing **RKB-C-02**

Scale 1 : 2 @ A4 Date 02.04.2019

1. Scope as per Clauses 1.0 and 9.4 E2/AS1
2. Profiles as per NZS 3617 Branz Bulletin 411
3. Fixings as per Table 24 E2/AS1
4. Compatibility of materials as per Tables 20-22 E2/AS1
5. Flashing as per Clause 4.0 E2/AS1
6. Rigid and flexible underlay as per Table 23 and Clauses 9.1.5 to 9.1.7 E2/AS1 or proprietary approved alternative
7. All weatherboards to be factory oiled to all faces and weathergrooves prior to installation use and maintain with Dryden products only.
8. The weatherboard system relies on the joinery meeting the requirements of NZS 4211 for the relevant building windzone or wind pressure.
9. Timber to NZBC B2 Durability B2.3.1 (b), Western Red Cedar, Larch and Truwood®



www.rosenfeldkidson.co.nz

Postal address: PO Box 621,
Shortland Street, Auckland 1140

Auckland Branch:
T: +64 9 573 0503
F: +64 9 573 0504
513 Mt Wellington Highway
Mt Wellington, Auckland 1060

Christchurch Branch:
T: +64 3 349 3316
F: +64 3 349 3317
15 Edmonton Road
Hornby, Christchurch 8042

Title **Aluminium Jamb Detail Option**

Drawing **RKB-C-02a**

Scale 1 : 2 @ A4 Date 02.04.2019

1. Scope as per Clauses 1.0 and 9.4 E2/AS1
2. Profiles as per NZS 3617 Branz Bulletin 411
3. Fixings as per Table 24 E2/AS1
4. Compatibility of materials as per Tables 20-22 E2/AS1
5. Flashing as per Clause 4.0 E2/AS1
6. Rigid and flexible underlay as per Table 23 and Clauses 9.1.5 to 9.1.7 E2/AS1 or proprietary approved alternative
7. All weatherboards to be factory oiled to all faces and weathergrooves prior to installation use and maintain with Dryden products only.
8. The weatherboard system relies on the joinery meeting the requirements of NZS 4211 for the relevant building windzone or wind pressure.
9. Timber to NZBC B2 Durability B2.3.1 (b), Western Red Cedar, Larch and Truwood®



Flexible flashing tape over flexible wall underlay. As per Clause 9.1.5 (a) (b) and figure 72A and 72B E2/AS1

Timber packer

Continuous air seal

10

Timber framing

Internal wall lining

Window joinery supplied by others

Support bar to suit joinery type

10mm Min

Horizontal Cedar Packer to suit profile

20x45mm Vertical timber cavity batten

Flexible wall underlay. As per Table 23 and Clauses 9.1.5 to 9.1.7.1 E2/AS1

RK61 Bevel Back weatherboard

interactive assembly instructions available
<http://wksp.nz/rk-b20-fu01-03>



get WorkingSpec from Apple App Store or Google Play



www.rosenfeldkidson.co.nz

Postal address: PO Box 621,
Shortland Street, Auckland 1140

Auckland Branch:

T: +64 9 573 0503

F: +64 9 573 0504

513 Mt Wellington Highway

Mt Wellington, Auckland 1060

Christchurch Branch:

T: +64 3 349 3316

F: +64 3 349 3317

15 Edmonton Road

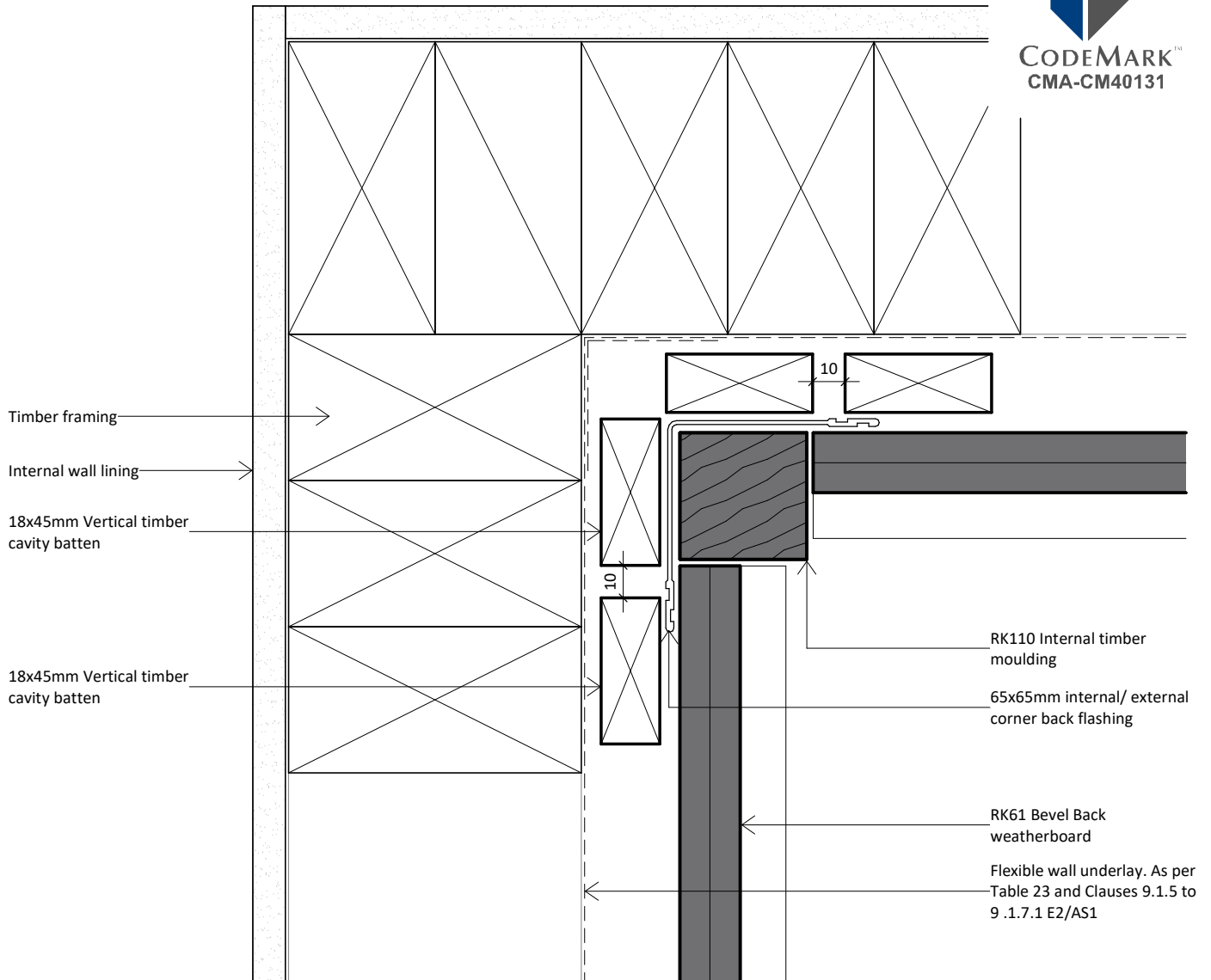
Hornby, Christchurch 8042

Title **Aluminium Sill Detail**

Drawing **RKB-C-03**

Scale 1 : 2 @ A4 Date 02.04.2019

1. Scope as per Clauses 1.0 and 9.4 E2/AS1
2. Profiles as per NZS 3617 Branz Bulletin 411
3. Fixings as per Table 24 E2/AS1
4. Compatibility of materials as per Tables 20-22 E2/AS1
5. Flashing as per Clause 4.0 E2/AS1
6. Rigid and flexible underlay as per Table 23 and Clauses 9.1.5 to 9.1.7 E2/AS1 or proprietary approved alternative
7. All weatherboards to be factory oiled to all faces and weathergrooves prior to installation use and maintain with Dryden products only.
8. The weatherboard system relies on the joinery meeting the requirements of NZS 4211 for the relevant building windzone or wind pressure.
9. Timber to NZBC B2 Durability B2.3.1 (b), Western Red Cedar, Larch and Truwood®



www.rosenfeldkidson.co.nz

Postal address: PO Box 621,
Shortland Street, Auckland 1140

Auckland Branch:
T: +64 9 573 0503
F: +64 9 573 0504
513 Mt Wellington Highway
Mt Wellington, Auckland 1060

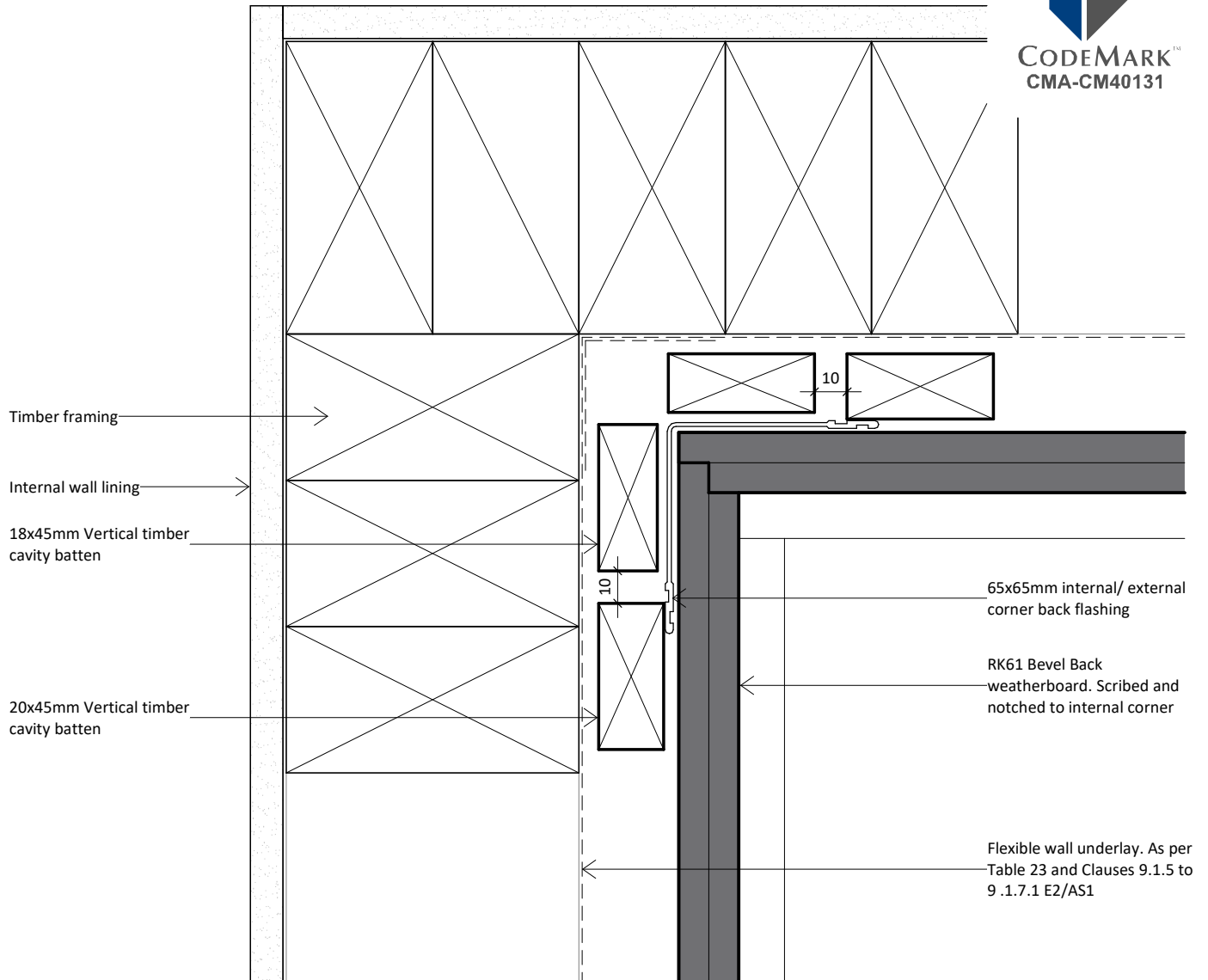
Christchurch Branch:
T: +64 3 349 3316
F: +64 3 349 3317
15 Edmonton Road
Hornby, Christchurch 8042

Title **Internal Corner Detail - Option 1**

Drawing **RKB-C-11**

Scale 1 : 2 @ A4 Date 02.04.2019

1. Scope as per Clauses 1.0 and 9.4 E2/AS1
2. Profiles as per NZS 3617 Branz Bulletin 411
3. Fixings as per Table 24 E2/AS1
4. Compatibility of materials as per Tables 20-22 E2/AS1
5. Flashing as per Clause 4.0 E2/AS1
6. Rigid and flexible underlay as per Table 23 and Clauses 9.1.5 to 9.1.7 E2/AS1 or proprietary approved alternative
7. All weatherboards to be factory oiled to all faces and weathergrooves prior to installation use and maintain with Dryden products only.
8. The weatherboard system relies on the joinery meeting the requirements of NZS 4211 for the relevant building windzone or wind pressure.
9. Timber to NZBC B2 Durability B2.3.1 (b), Western Red Cedar, Larch and Truwood®



www.rosenfeldkidson.co.nz

Postal address: PO Box 621,
Shortland Street, Auckland 1140

Auckland Branch:
T: +64 9 573 0503
F: +64 9 573 0504
513 Mt Wellington Highway
Mt Wellington, Auckland 1060

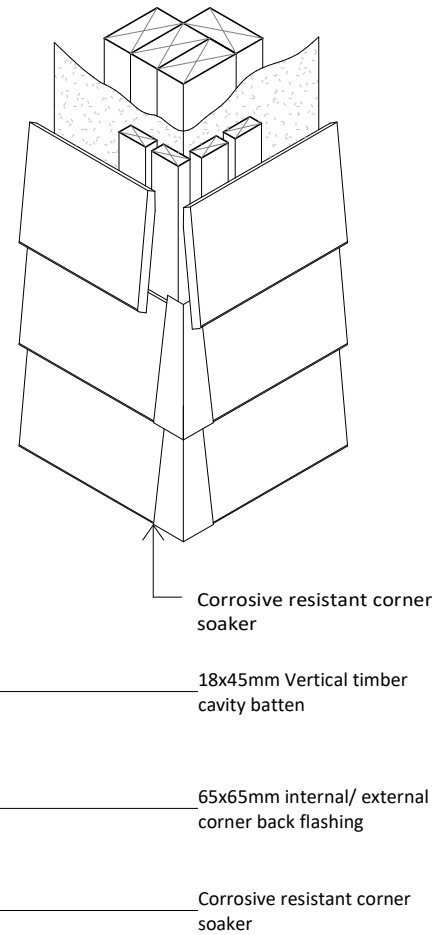
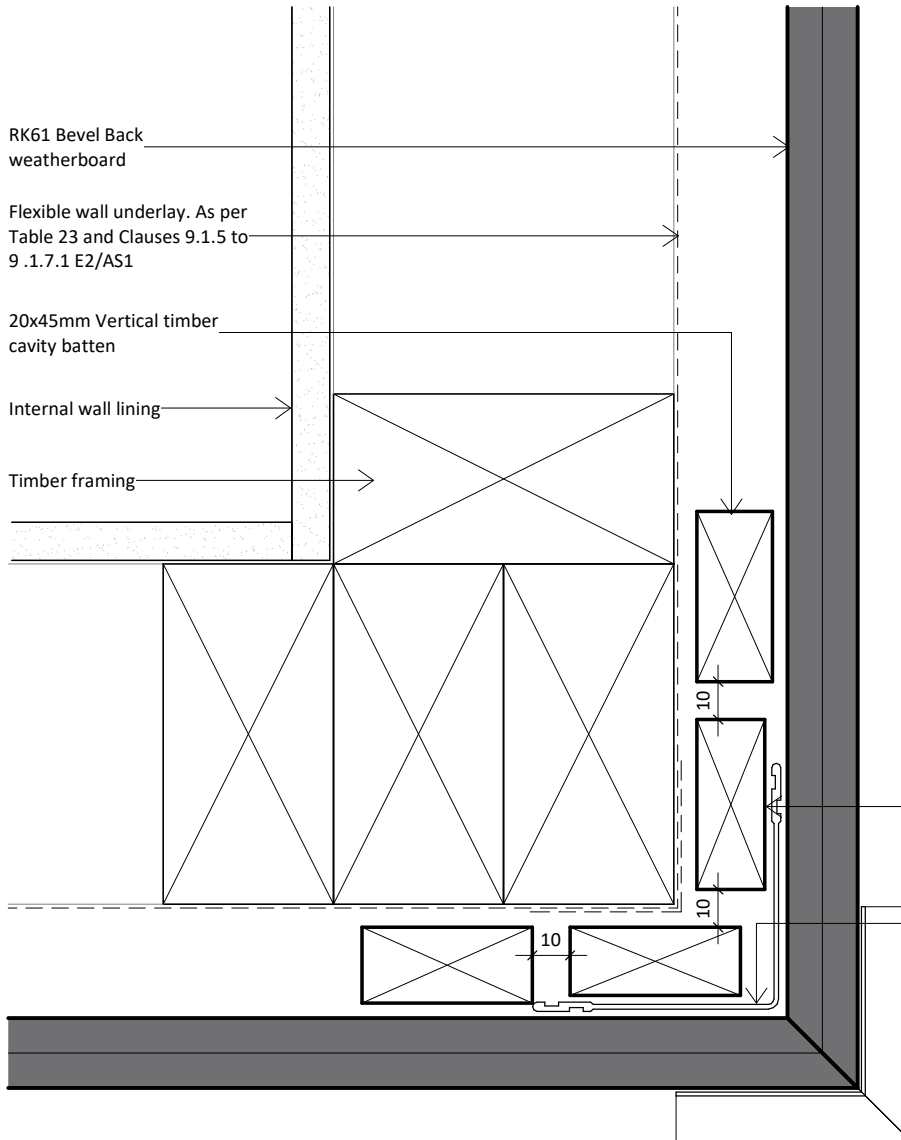
Christchurch Branch:
T: +64 3 349 3316
F: +64 3 349 3317
15 Edmonton Road
Hornby, Christchurch 8042

Title **Internal Corner Detail - Option 2**

Drawing **RKB-C-12**

Scale 1 : 2 @ A4 Date 02.04.2019

1. Scope as per Clauses 1.0 and 9.4 E2/AS1
2. Profiles as per NZS 3617 Branz Bulletin 411
3. Fixings as per Table 24 E2/AS1
4. Compatibility of materials as per Tables 20-22 E2/AS1
5. Flashing as per Clause 4.0 E2/AS1
6. Rigid and flexible underlay as per Table 23 and Clauses 9.1.5 to 9.1.7 E2/AS1 or proprietary approved alternative
7. All weatherboards to be factory oiled to all faces and weathergrooves prior to installation use and maintain with Dryden products only.
8. The weatherboard system relies on the joinery meeting the requirements of NZS 4211 for the relevant building windzone or wind pressure.
9. Timber to NZBC B2 Durability B2.3.1 (b), Western Red Cedar, Larch and Truwood®



www.rosenfeldkidson.co.nz

Postal address: PO Box 621,
Shortland Street, Auckland 1140

Auckland Branch:
T: +64 9 573 0503
F: +64 9 573 0504
513 Mt Wellington Highway
Mt Wellington, Auckland 1060

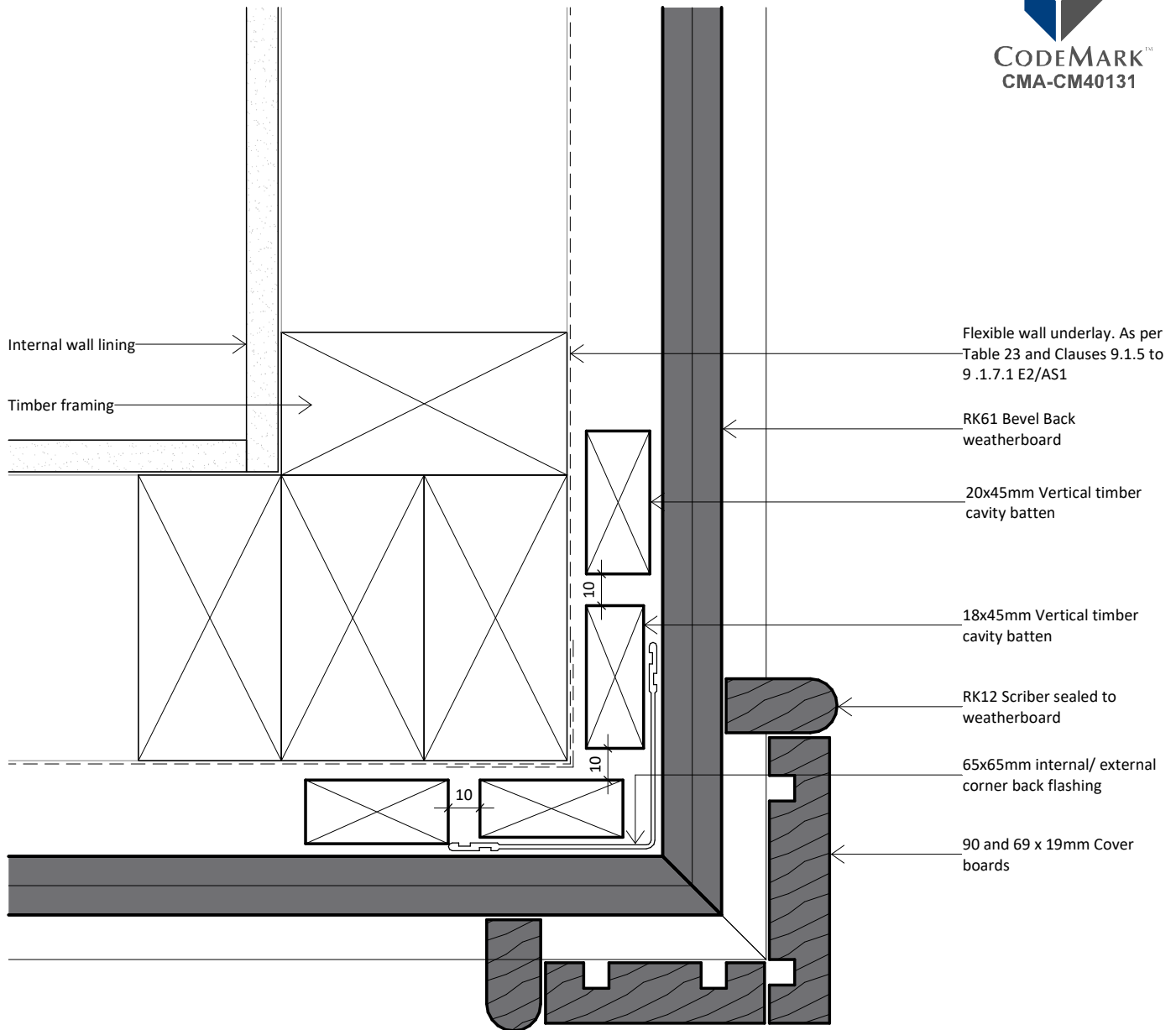
Christchurch Branch:
T: +64 3 349 3316
F: +64 3 349 3317
15 Edmonton Road
Hornby, Christchurch 8042

Title **External Corner Detail - Option 1**

Drawing **RKB-C-21**

Scale 1 : 2 @ A4 Date 02.04.2019

1. Scope as per Clauses 1.0 and 9.4 E2/AS1
2. Profiles as per NZS 3617 Branz Bulletin 411
3. Fixings as per Table 24 E2/AS1
4. Compatibility of materials as per Tables 20-22 E2/AS1
5. Flashing as per Clause 4.0 E2/AS1
6. Rigid and flexible underlay as per Table 23 and Clauses 9.1.5 to 9.1.7 E2/AS1 or proprietary approved alternative
7. All weatherboards to be factory oiled to all faces and weathergrooves prior to installation use and maintain with Dryden products only.
8. The weatherboard system relies on the joinery meeting the requirements of NZS 4211 for the relevant building windzone or wind pressure.
9. Timber to NZBC B2 Durability B2.3.1 (b), Western Red Cedar, Larch and Truwood®



www.rosenfeldkidson.co.nz

Postal address: PO Box 621,
Shortland Street, Auckland 1140

Auckland Branch:
T: +64 9 573 0503
F: +64 9 573 0504
513 Mt Wellington Highway
Mt Wellington, Auckland 1060

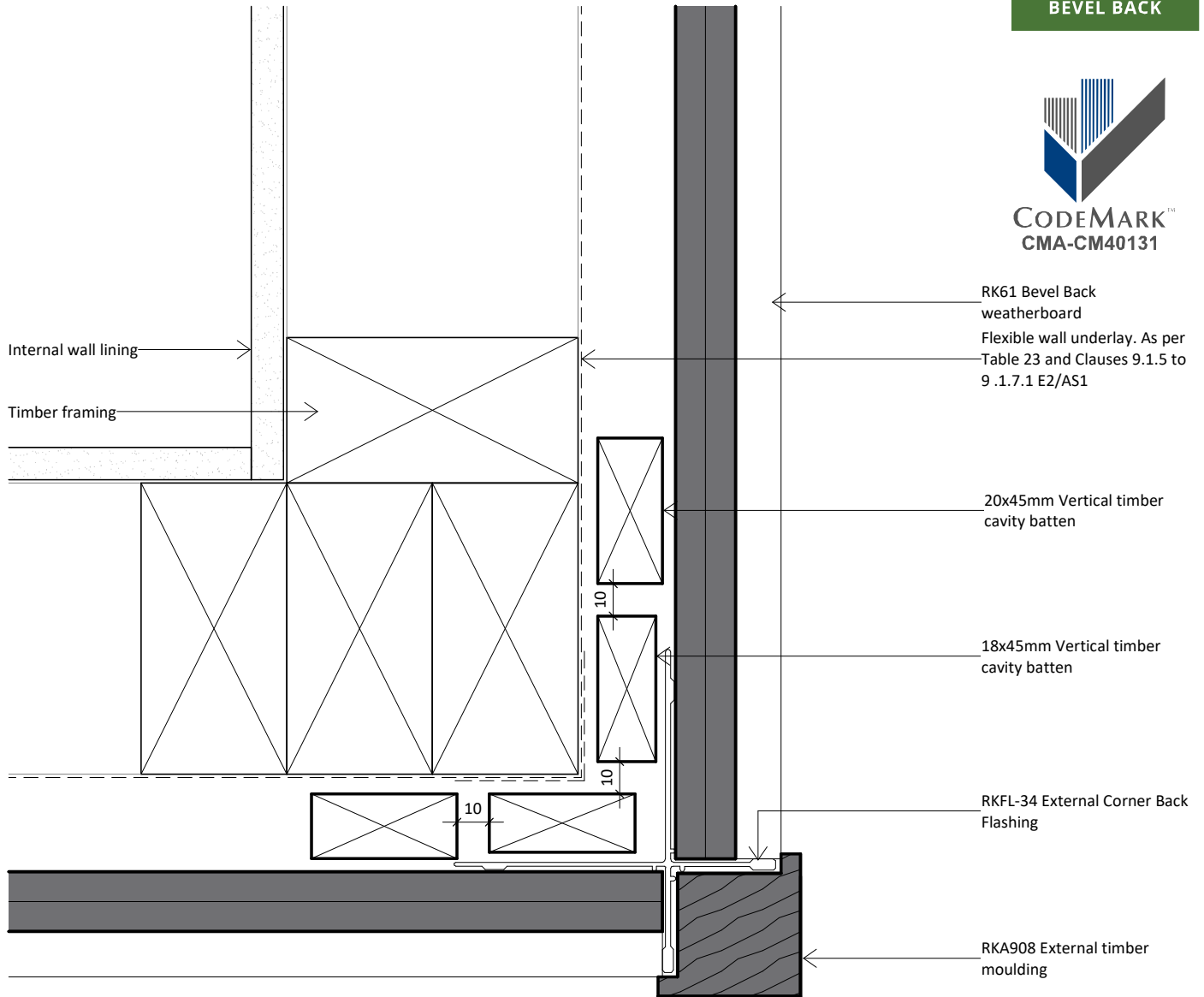
Christchurch Branch:
T: +64 3 349 3316
F: +64 3 349 3317
15 Edmonton Road
Hornby, Christchurch 8042

Title **External Corner Detail - Option 2**

Drawing **RKB-C-22**

Scale 1 : 2 @ A4 Date 02.04.2019

1. Scope as per Clauses 1.0 and 9.4 E2/AS1
2. Profiles as per NZS 3617 Branz Bulletin 411
3. Fixings as per Table 24 E2/AS1
4. Compatibility of materials as per Tables 20-22 E2/AS1
5. Flashing as per Clause 4.0 E2/AS1
6. Rigid and flexible underlay as per Table 23 and Clauses 9.1.5 to 9.1.7 E2/AS1 or proprietary approved alternative
7. All weatherboards to be factory oiled to all faces and weathergrooves prior to installation use and maintain with Dryden products only.
8. The weatherboard system relies on the joinery meeting the requirements of NZS 4211 for the relevant building windzone or wind pressure.
9. Timber to NZBC B2 Durability B2.3.1 (b), Western Red Cedar, Larch and Truwood®



interactive assembly instructions available
<http://wksp.nz/rk-b20-fu23>



get WorkingSpec from
 Apple App Store or Google Play



www.rosenfeldkidson.co.nz

Postal address: PO Box 621,
 Shortland Street, Auckland 1140

Auckland Branch:
 T: +64 9 573 0503
 F: +64 9 573 0504
 513 Mt Wellington Highway
 Mt Wellington, Auckland 1060

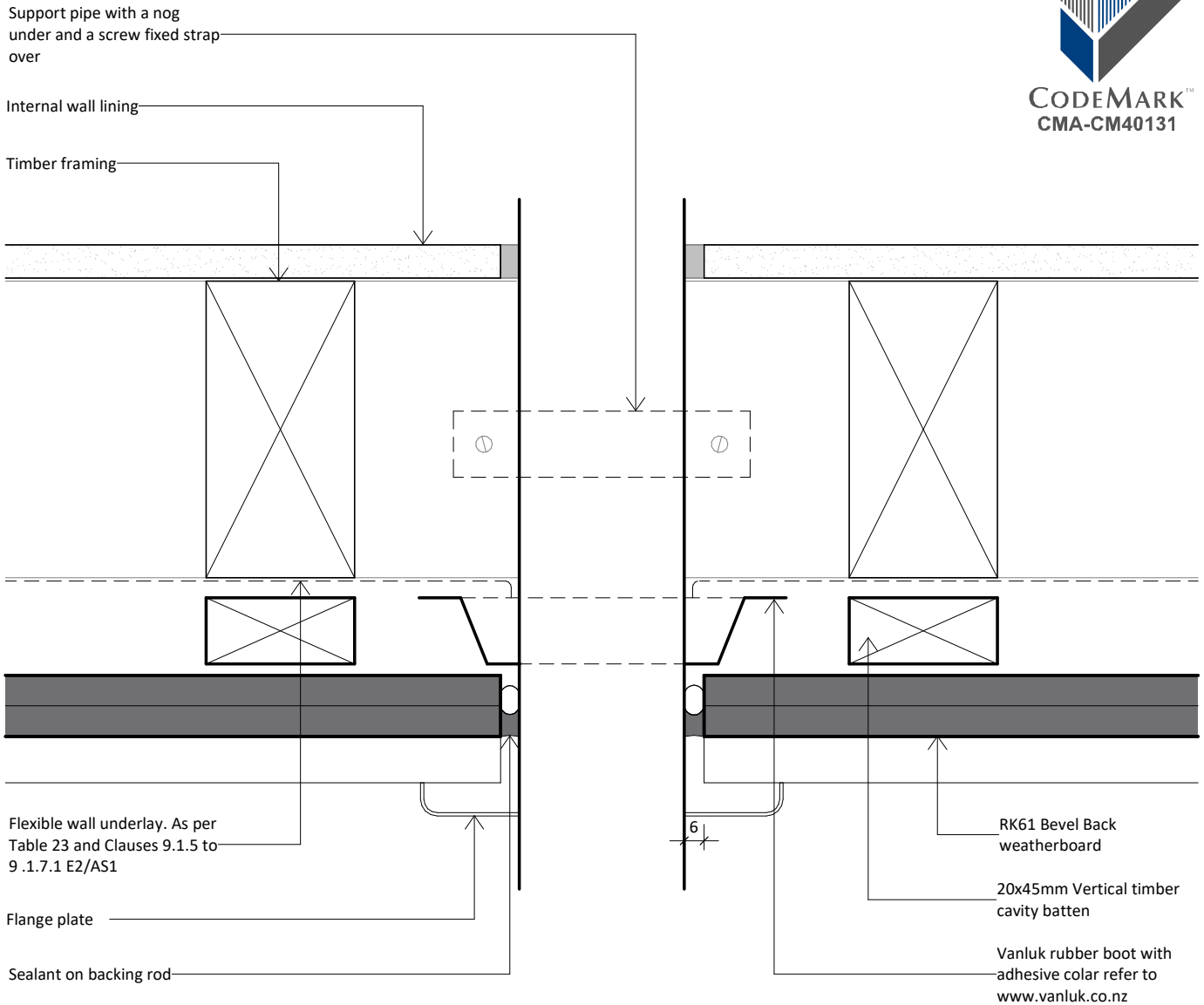
Christchurch Branch:
 T: +64 3 349 3316
 F: +64 3 349 3317
 15 Edmonton Road
 Hornby, Christchurch 8042

Title **External Corner Detail - Option 3**

Drawing **RKB-C-23**

Scale 1 : 2 @ A4 Date 02.04.2019

1. Scope as per Clauses 1.0 and 9.4 E2/AS1
2. Profiles as per NZS 3617 Branz Bulletin 411
3. Fixings as per Table 24 E2/AS1
4. Compatibility of materials as per Tables 20-22 E2/AS1
5. Flashing as per Clause 4.0 E2/AS1
6. Rigid and flexible underlay as per Table 23 and Clauses 9.1.5 to 9.1.7 E2/AS1 or proprietary approved alternative
7. All weatherboards to be factory oiled to all faces and weathergrooves prior to installation use and maintain with Dryden products only.
8. The weatherboard system relies on the joinery meeting the requirements of NZS 4211 for the relevant building windzone or wind pressure.
9. Timber to NZBC B2 Durability B2.3.1 (b), Western Red Cedar, Larch and Truwood®



www.rosenfeldkidson.co.nz

Postal address: PO Box 621,
Shortland Street, Auckland 1140

Auckland Branch:
T: +64 9 573 0503
F: +64 9 573 0504
513 Mt Wellington Highway
Mt Wellington, Auckland 1060

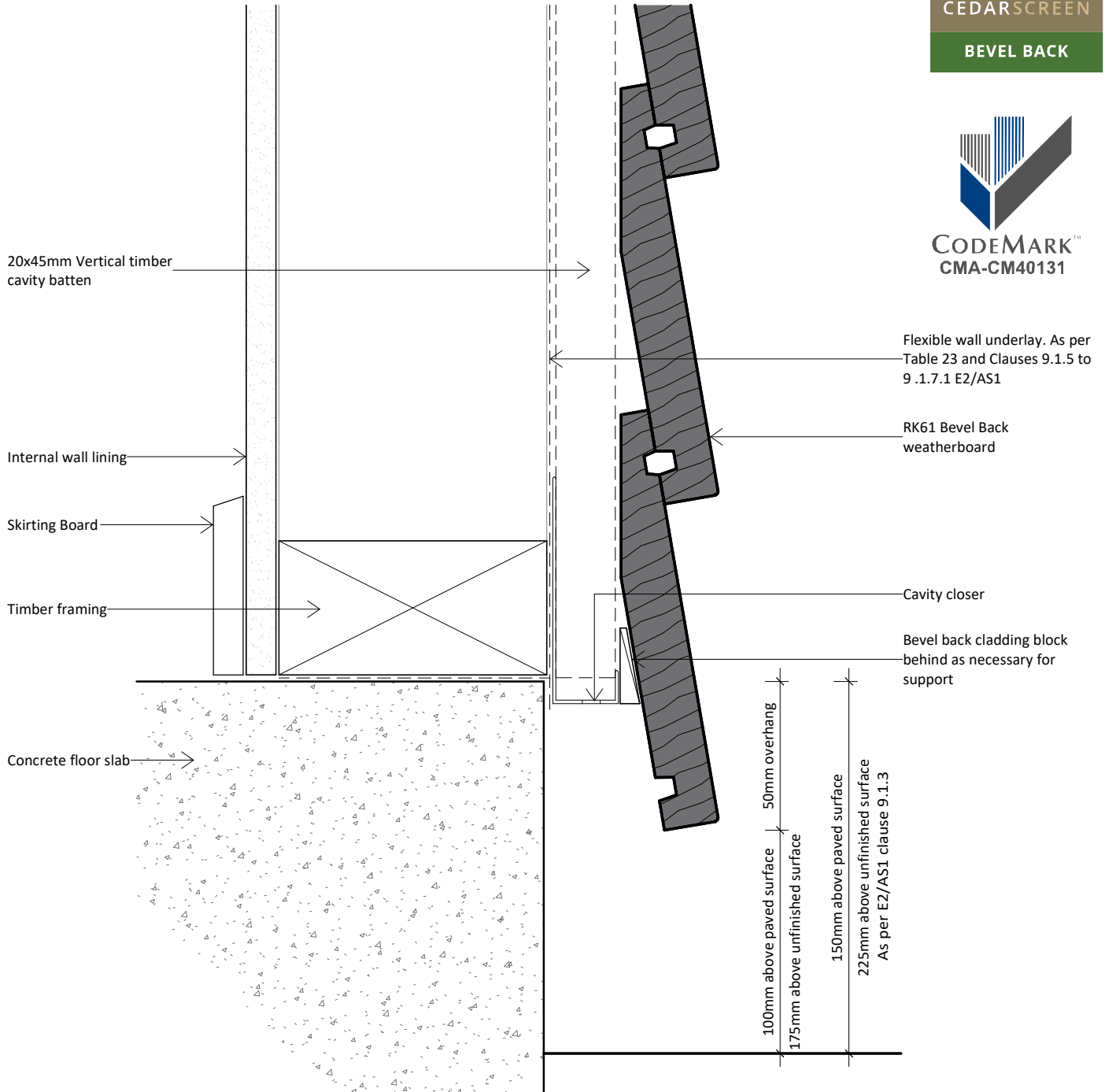
Christchurch Branch:
T: +64 3 349 3316
F: +64 3 349 3317
15 Edmonton Road
Hornby, Christchurch 8042

Title **Pipe Penetration Detail**

Drawing
RKB-C-31

Scale 1 : 2 @ A4 Date 02.04.2019

1. Scope as per Clauses 1.0 and 9.4 E2/AS1
2. Profiles as per NZS 3617 Branz Bulletin 411
3. Fixings as per Table 24 E2/AS1
4. Compatibility of materials as per Tables 20-22 E2/AS1
5. Flashing as per Clause 4.0 E2/AS1
6. Rigid and flexible underlay as per Table 23 and Clauses 9.1.5 to 9.1.7 E2/AS1 or proprietary approved alternative
7. All weatherboards to be factory oiled to all faces and weathergrooves prior to installation use and maintain with Dryden products only.
8. The weatherboard system relies on the joinery meeting the requirements of NZS 4211 for the relevant building windzone or wind pressure.
9. Timber to NZBC B2 Durability B2.3.1 (b), Western Red Cedar, Larch and Truwood®



www.rosenfeldkidson.co.nz

Postal address: PO Box 621,
Shortland Street, Auckland 1140

Auckland Branch:
T: +64 9 573 0503
F: +64 9 573 0504
513 Mt Wellington Highway
Mt Wellington, Auckland 1060

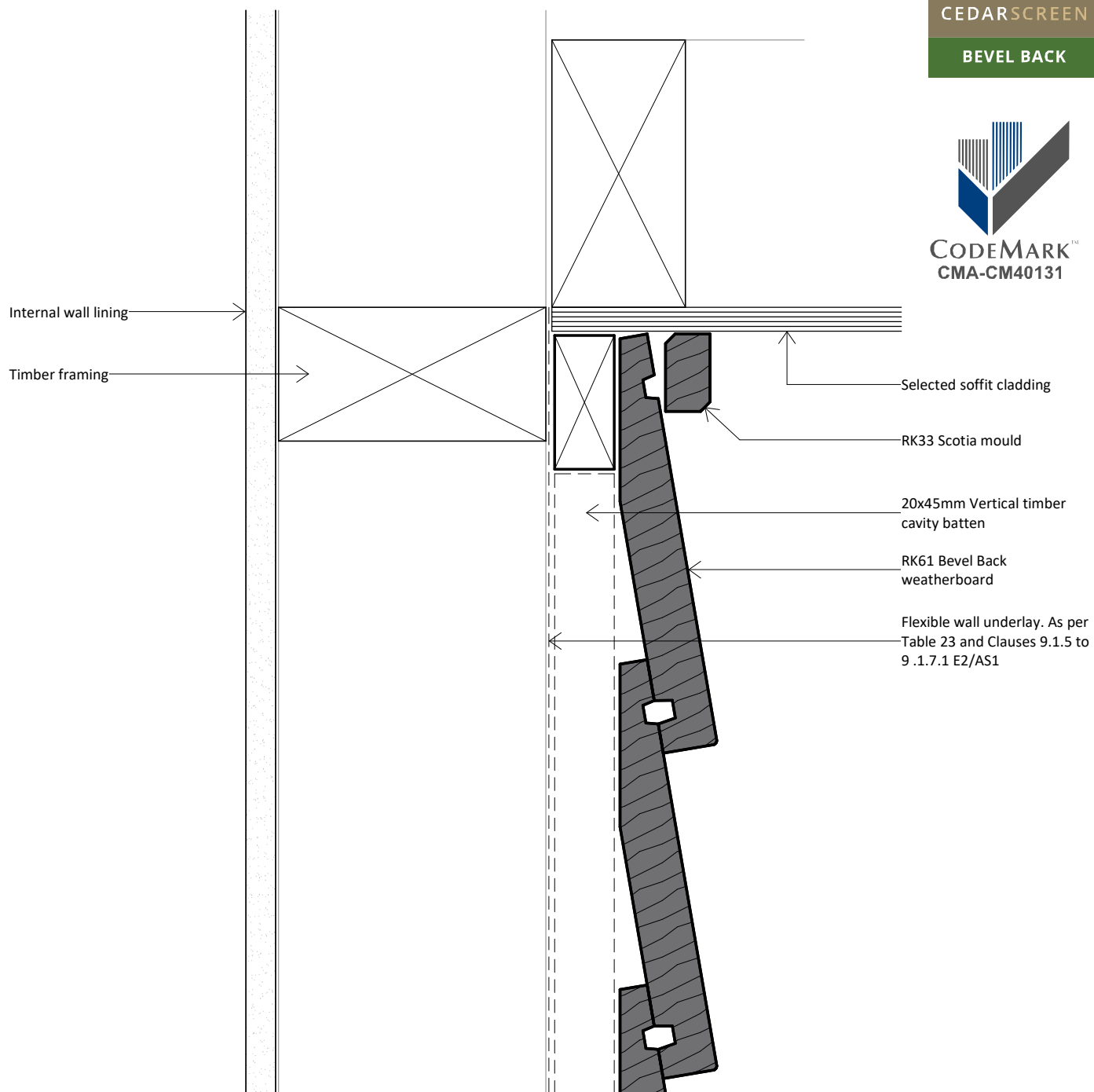
Christchurch Branch:
T: +64 3 349 3316
F: +64 3 349 3317
15 Edmonton Road
Hornby, Christchurch 8042

Title **Bottom Plate Detail**

Drawing
RKB-C-41

Scale 1 : 2 @ A4 Date 02.04.2019

1. Scope as per Clauses 1.0 and 9.4 E2/AS1
2. Profiles as per NZS 3617 Branz Bulletin 411
3. Fixings as per Table 24 E2/AS1
4. Compatibility of materials as per Tables 20-22 E2/AS1
5. Flashing as per Clause 4.0 E2/AS1
6. Rigid and flexible underlay as per Table 23 and Clauses 9.1.5 to 9.1.7 E2/AS1 or proprietary approved alternative
7. All weatherboards to be factory oiled to all faces and weathergrooves prior to installation use and maintain with Dryden products only.
8. The weatherboard system relies on the joinery meeting the requirements of NZS 4211 for the relevant building windzone or wind pressure.
9. Timber to NZBC B2 Durability B2.3.1 (b), Western Red Cedar, Larch and Truwood®



www.rosenfeldkidson.co.nz

Postal address: PO Box 621,
Shortland Street, Auckland 1140

Auckland Branch:
T: +64 9 573 0503
F: +64 9 573 0504
513 Mt Wellington Highway
Mt Wellington, Auckland 1060

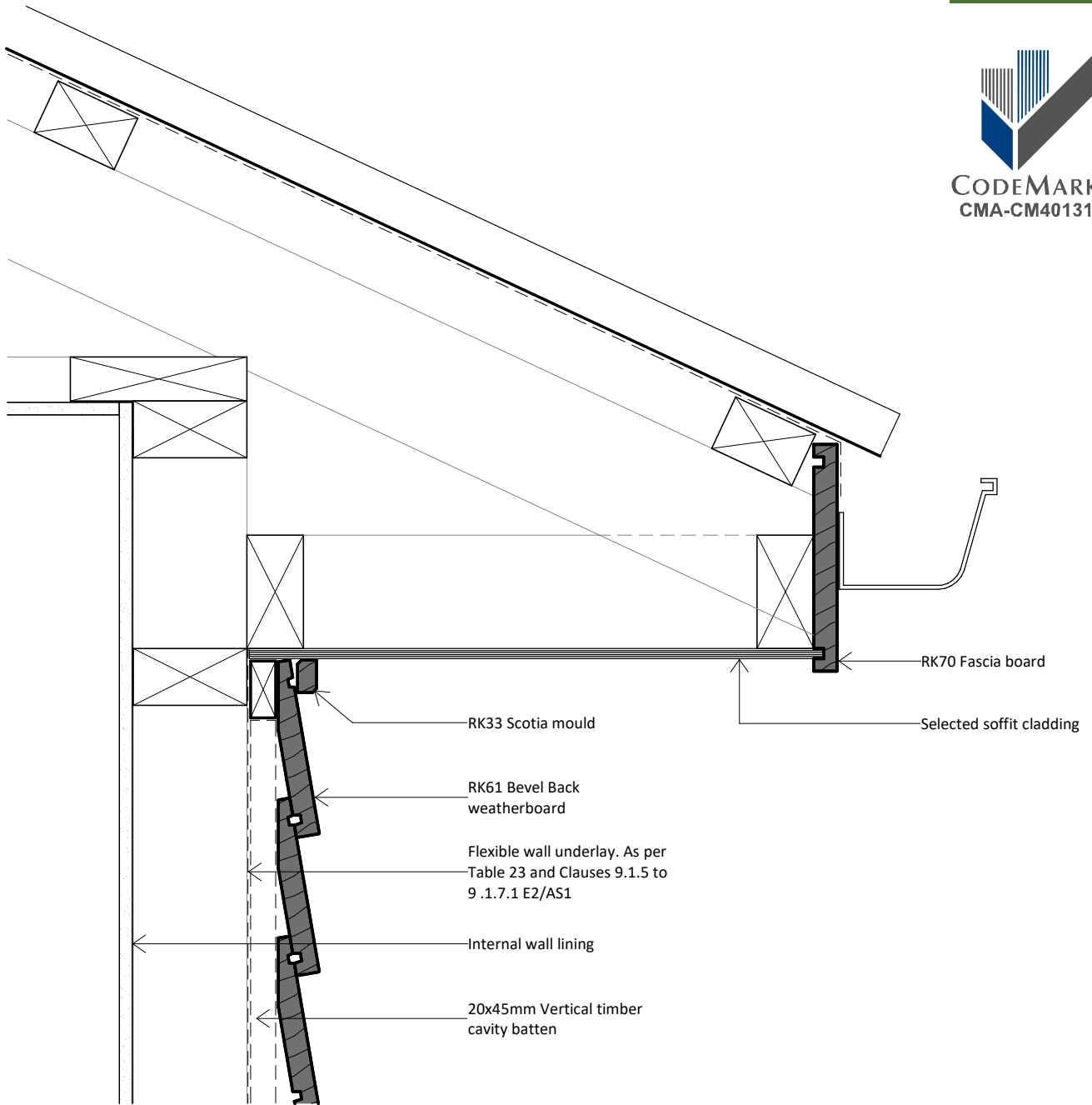
Christchurch Branch:
T: +64 3 349 3316
F: +64 3 349 3317
15 Edmonton Road
Hornby, Christchurch 8042

Title **Top Plate to Soffit Detail**

Drawing
RKB-C-42

Scale 1 : 2 @ A4 Date 02.04.2019

1. Scope as per Clauses 1.0 and 9.4 E2/AS1
2. Profiles as per NZS 3617 Branz Bulletin 411
3. Fixings as per Table 24 E2/AS1
4. Compatibility of materials as per Tables 20-22 E2/AS1
5. Flashing as per Clause 4.0 E2/AS1
6. Rigid and flexible underlay as per Table 23 and Clauses 9.1.5 to 9.1.7 E2/AS1 or proprietary approved alternative
7. All weatherboards to be factory oiled to all faces and weathergrooves prior to installation use and maintain with Dryden products only.
8. The weatherboard system relies on the joinery meeting the requirements of NZS 4211 for the relevant building windzone or wind pressure.
9. Timber to NZBC B2 Durability B2.3.1 (b), Western Red Cedar, Larch and Truwood®



www.rosenfeldkidson.co.nz

Postal address: PO Box 621,
Shortland Street, Auckland 1140

Auckland Branch:
T: +64 9 573 0503
F: +64 9 573 0504
513 Mt Wellington Highway
Mt Wellington, Auckland 1060

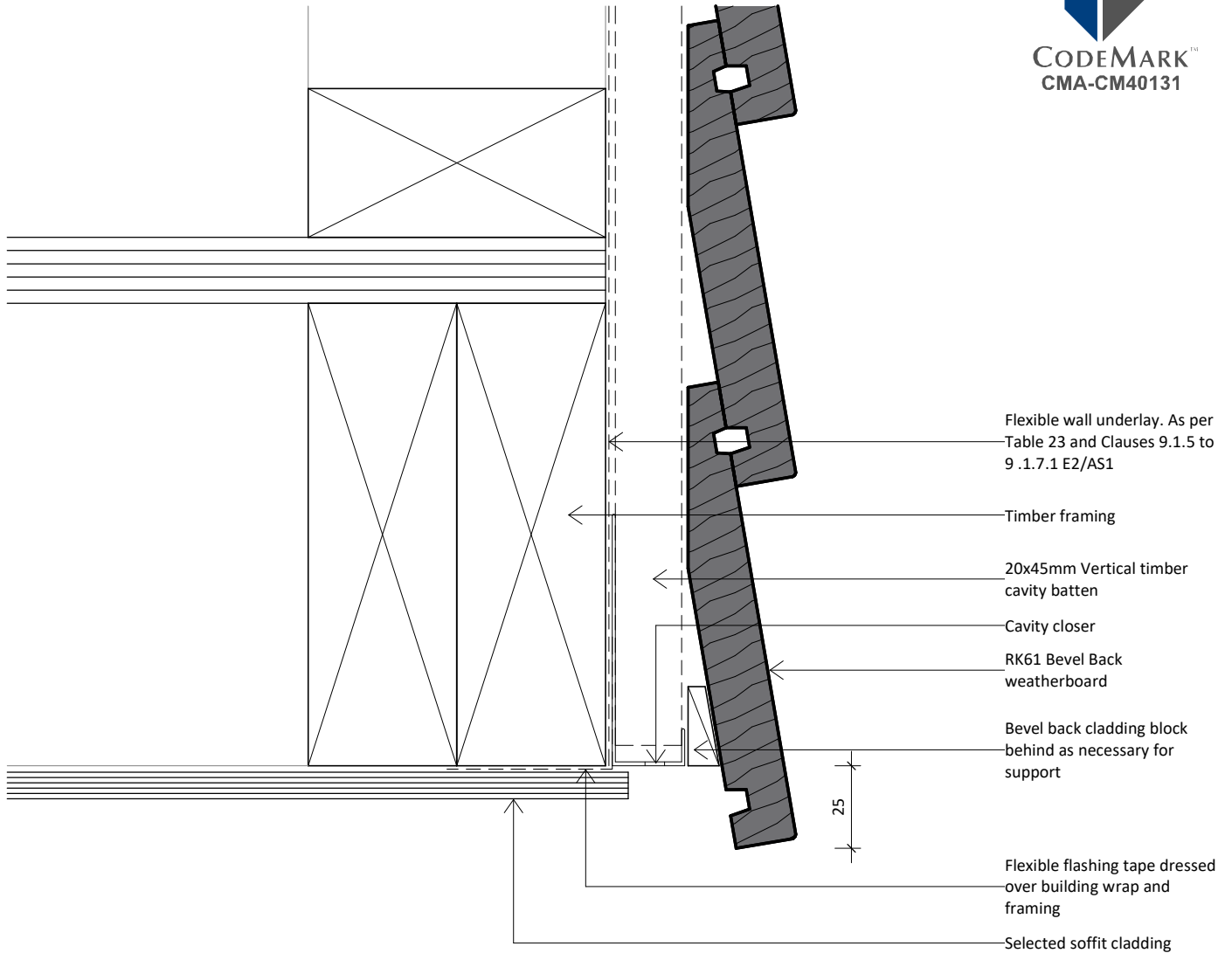
Christchurch Branch:
T: +64 3 349 3316
F: +64 3 349 3317
15 Edmonton Road
Hornby, Christchurch 8042

Title **Barge Detail**

Drawing
RKB-C-43

Scale 1 : 5 @ A4 Date 02.04.2019

1. Scope as per Clauses 1.0 and 9.4 E2/AS1
2. Profiles as per NZS 3617 Branz Bulletin 411
3. Fixings as per Table 24 E2/AS1
4. Compatibility of materials as per Tables 20-22 E2/AS1
5. Flashing as per Clause 4.0 E2/AS1
6. Rigid and flexible underlay as per Table 23 and Clauses 9.1.5 to 9.1.7 E2/AS1 or proprietary approved alternative
7. All weatherboards to be factory oiled to all faces and weathergrooves prior to installation use and maintain with Dryden products only.
8. The weatherboard system relies on the joinery meeting the requirements of NZS 4211 for the relevant building windzone or wind pressure.
9. Timber to NZBC B2 Durability B2.3.1 (b), Western Red Cedar, Larch and Truwood®



www.rosenfeldkidson.co.nz

Postal address: PO Box 621,
Shortland Street, Auckland 1140

Auckland Branch:
T: +64 9 573 0503
F: +64 9 573 0504
513 Mt Wellington Highway
Mt Wellington, Auckland 1060

Christchurch Branch:
T: +64 3 349 3316
F: +64 3 349 3317
15 Edmonton Road
Hornby, Christchurch 8042

Title **Soffit Detail**

Drawing

RKB-C-44

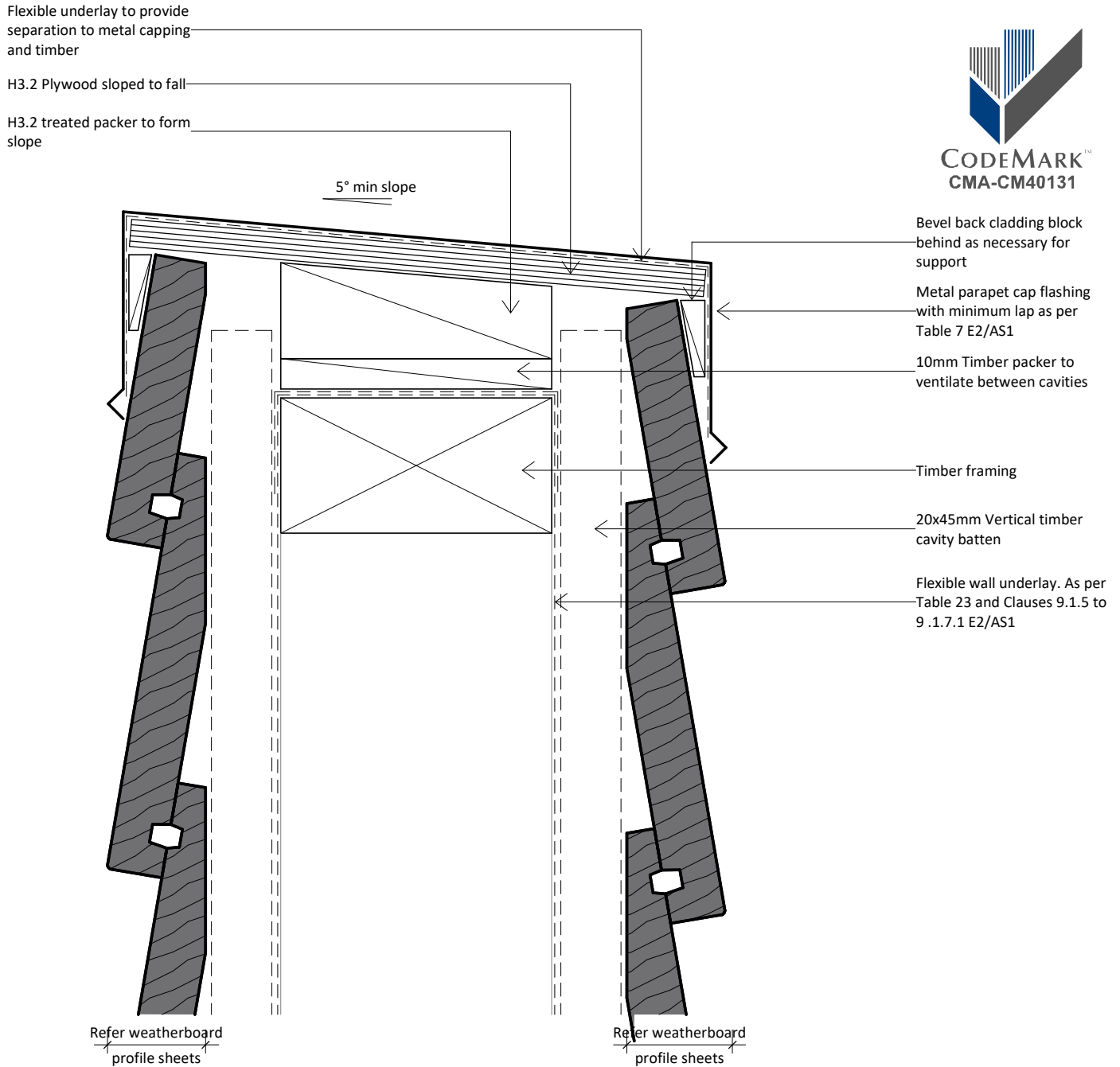
Scale

1 : 2 @ A4

Date

02.04.2019

1. Scope as per Clauses 1.0 and 9.4 E2/AS1
2. Profiles as per NZS 3617 Branz Bulletin 411
3. Fixings as per Table 24 E2/AS1
4. Compatibility of materials as per Tables 20-22 E2/AS1
5. Flashing as per Clause 4.0 E2/AS1
6. Rigid and flexible underlay as per Table 23 and Clauses 9.1.5 to 9.1.7 E2/AS1 or proprietary approved alternative
7. All weatherboards to be factory oiled to all faces and weathergrooves prior to installation use and maintain with Dryden products only.
8. The weatherboard system relies on the joinery meeting the requirements of NZS 4211 for the relevant building windzone or wind pressure.
9. Timber to NZBC B2 Durability B2.3.1 (b), Western Red Cedar, Larch and Truwood®



www.rosenfeldkidson.co.nz

Postal address: PO Box 621,
Shortland Street, Auckland 1140

Auckland Branch:
T: +64 9 573 0503
F: +64 9 573 0504
513 Mt Wellington Highway
Mt Wellington, Auckland 1060

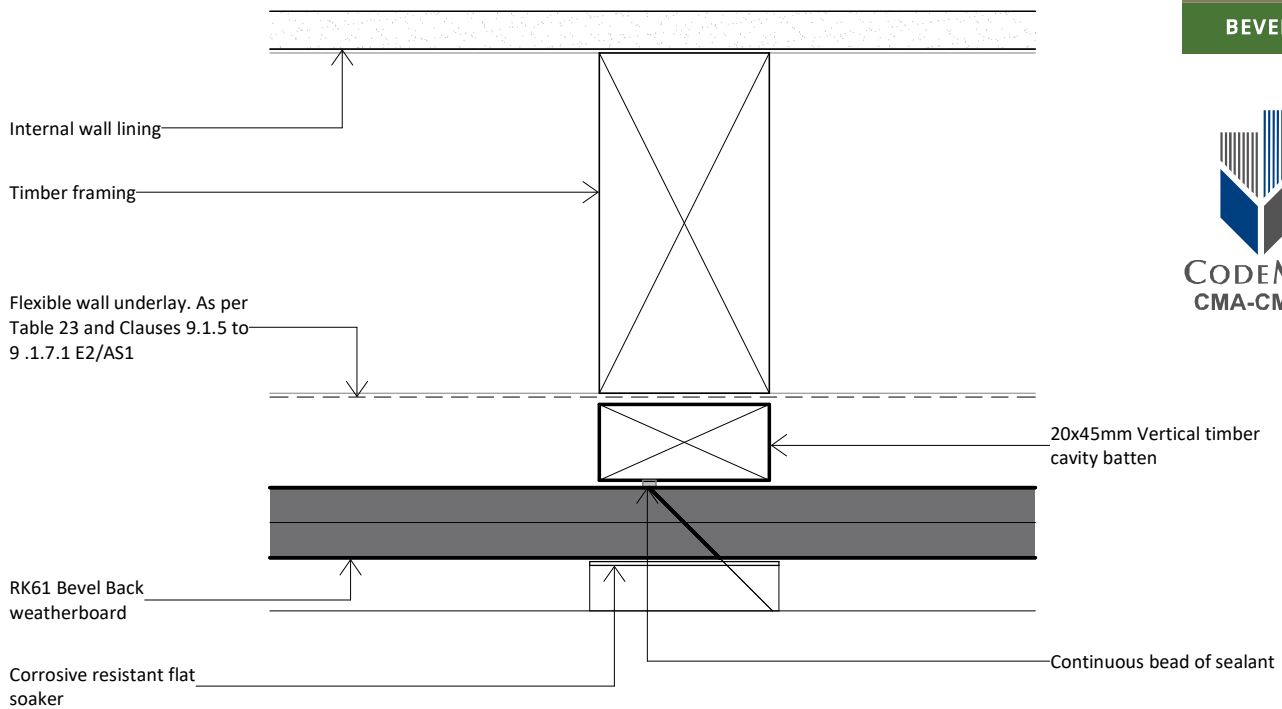
Christchurch Branch:
T: +64 3 349 3316
F: +64 3 349 3317
15 Edmonton Road
Hornby, Christchurch 8042

Title **Parapet Detail**

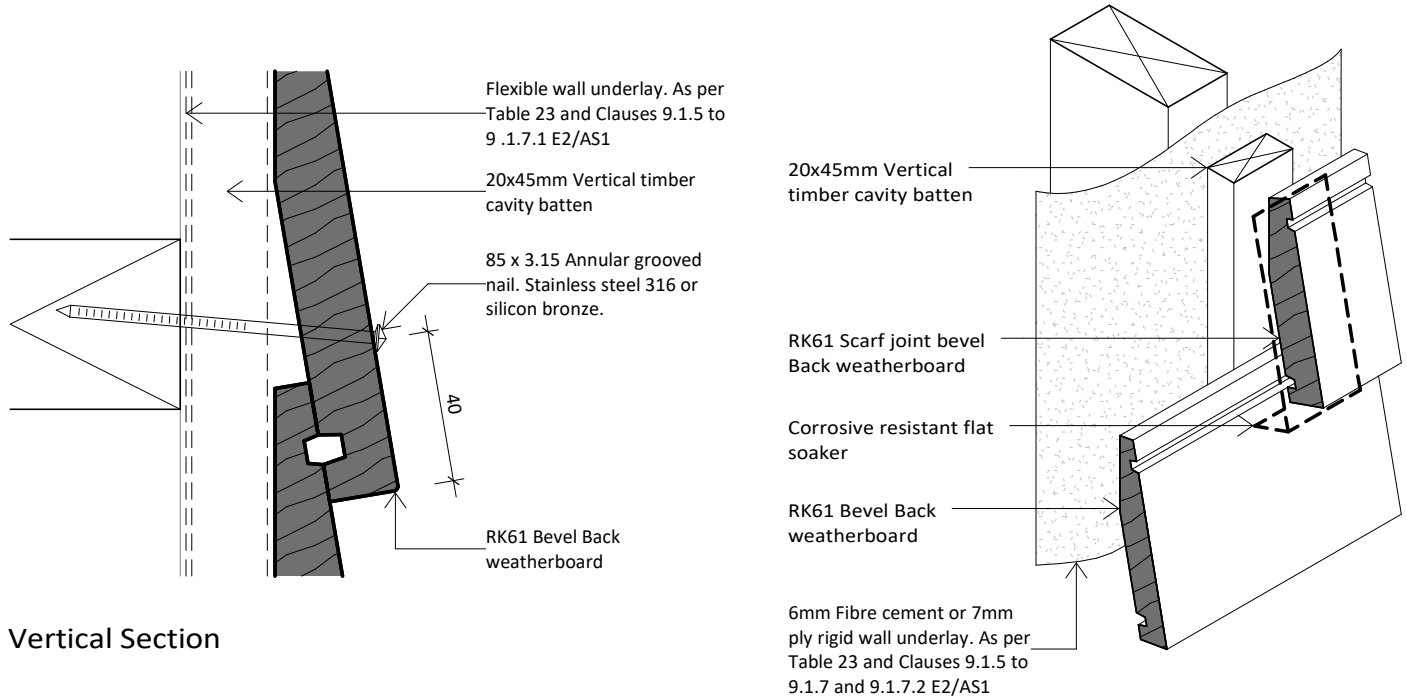
Drawing **RKB-C-45**

Scale 1 : 2 @ A4 Date 02.04.2019

1. Scope as per Clauses 1.0 and 9.4 E2/AS1
2. Profiles as per NZS 3617 Branz Bulletin 411
3. Fixings as per Table 24 E2/AS1
4. Compatibility of materials as per Tables 20-22 E2/AS1
5. Flashing as per Clause 4.0 E2/AS1
6. Rigid and flexible underlay as per Table 23 and Clauses 9.1.5 to 9.1.7 E2/AS1 or proprietary approved alternative
7. All weatherboards to be factory oiled to all faces and weathergrooves prior to installation use and maintain with Dryden products only.
8. The weatherboard system relies on the joinery meeting the requirements of NZS 4211 for the relevant building windzone or wind pressure.
9. Timber to NZBC B2 Durability B2.3.1 (b), Western Red Cedar, Larch and Truwood®



Horizontal Plan



Vertical Section



www.rosenfeldkidson.co.nz

Postal address: PO Box 621,
Shortland Street, Auckland 1140

Auckland Branch:
T: +64 9 573 0503
F: +64 9 573 0504
513 Mt Wellington Highway
Mt Wellington, Auckland 1060

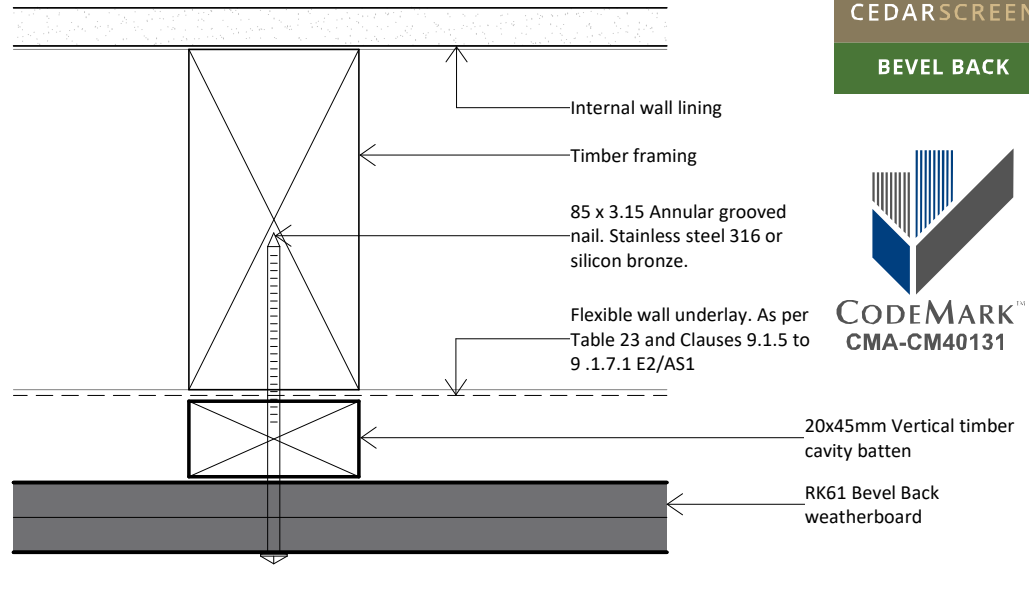
Christchurch Branch:
T: +64 3 349 3316
F: +64 3 349 3317
15 Edmonton Road
Hornby, Christchurch 8042

Title **Scarf Joint Detail**

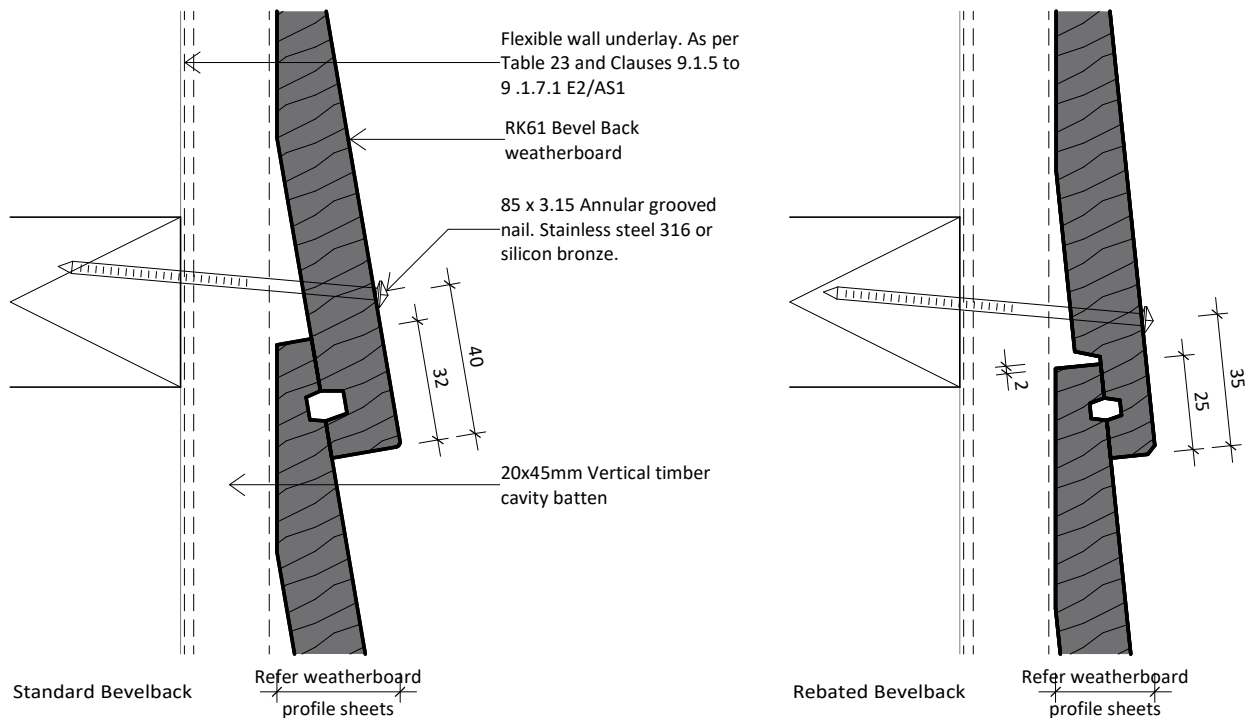
Drawing **RKB-C-46**

Scale 1 : 2 @ A4 Date 02.04.2019

1. Scope as per Clauses 1.0 and 9.4 E2/AS1
2. Profiles as per NZS 3617 Branz Bulletin 411
3. Fixings as per Table 24 E2/AS1
4. Compatibility of materials as per Tables 20-22 E2/AS1
5. Flashing as per Clause 4.0 E2/AS1
6. Rigid and flexible underlay as per Table 23 and Clauses 9.1.5 to 9.1.7 E2/AS1 or proprietary approved alternative
7. All weatherboards to be factory oiled to all faces and weathergrooves prior to installation use and maintain with Dryden products only.
8. The weatherboard system relies on the joinery meeting the requirements of NZS 4211 for the relevant building windzone or wind pressure.
9. Timber to NZBC B2 Durability B2.3.1 (b), Western Red Cedar, Larch and Truwood®



Horizontal fixing



Vertical fixing



www.rosenfeldkidson.co.nz

Postal address: PO Box 621,
Shortland Street, Auckland 1140

Auckland Branch:
T: +64 9 573 0503
F: +64 9 573 0504
513 Mt Wellington Highway
Mt Wellington, Auckland 1060

Christchurch Branch:
T: +64 3 349 3316
F: +64 3 349 3317
15 Edmonton Road
Hornby, Christchurch 8042

Title **Nail Fixing Detail**

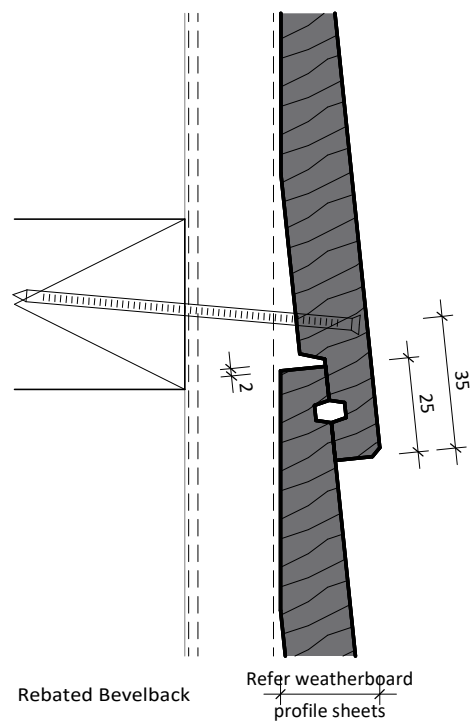
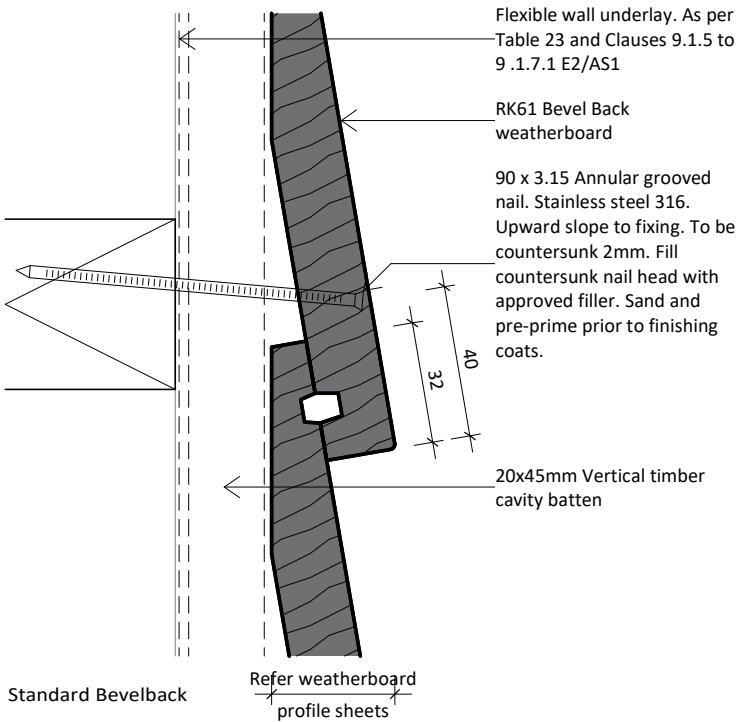
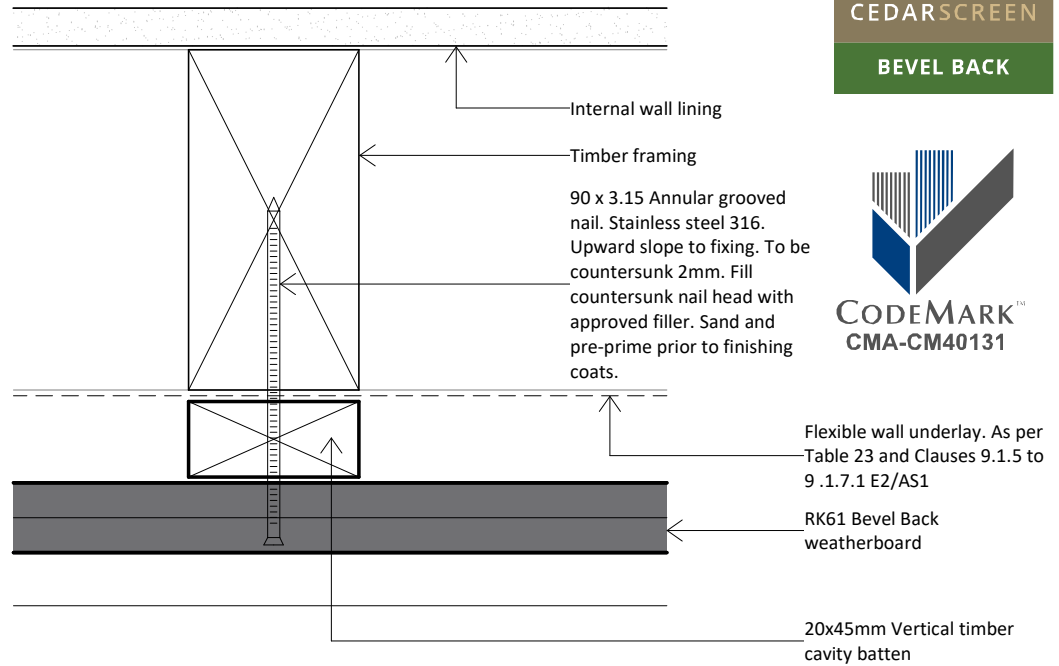
Drawing **RKB-C-47**

Scale 1 : 2 @ A4 Date 02.04.2019

1. Scope as per Clauses 1.0 and 9.4 E2/AS1
2. Profiles as per NZS 3617 Branz Bulletin 411
3. Fixings as per Table 24 E2/AS1
4. Compatibility of materials as per Tables 20-22 E2/AS1
5. Flashing as per Clause 4.0 E2/AS1
6. Rigid and flexible underlay as per Table 23 and Clauses 9.1.5 to 9.1.7 E2/AS1 or proprietary approved alternative
7. All weatherboards to be factory oiled to all faces and weathergrooves prior to installation use and maintain with Dryden products only.
8. The weatherboard system relies on the joinery meeting the requirements of NZS 4211 for the relevant building windzone or wind pressure.
9. Timber to NZBC B2 Durability B2.3.1 (b), Western Red Cedar, Larch and Truwood®



Horizontal fixing



Vertical fixing



www.rosenfeldkidson.co.nz

Postal address: PO Box 621,
Shortland Street, Auckland 1140

Auckland Branch:
T: +64 9 573 0503
F: +64 9 573 0504
513 Mt Wellington Highway
Mt Wellington, Auckland 1060

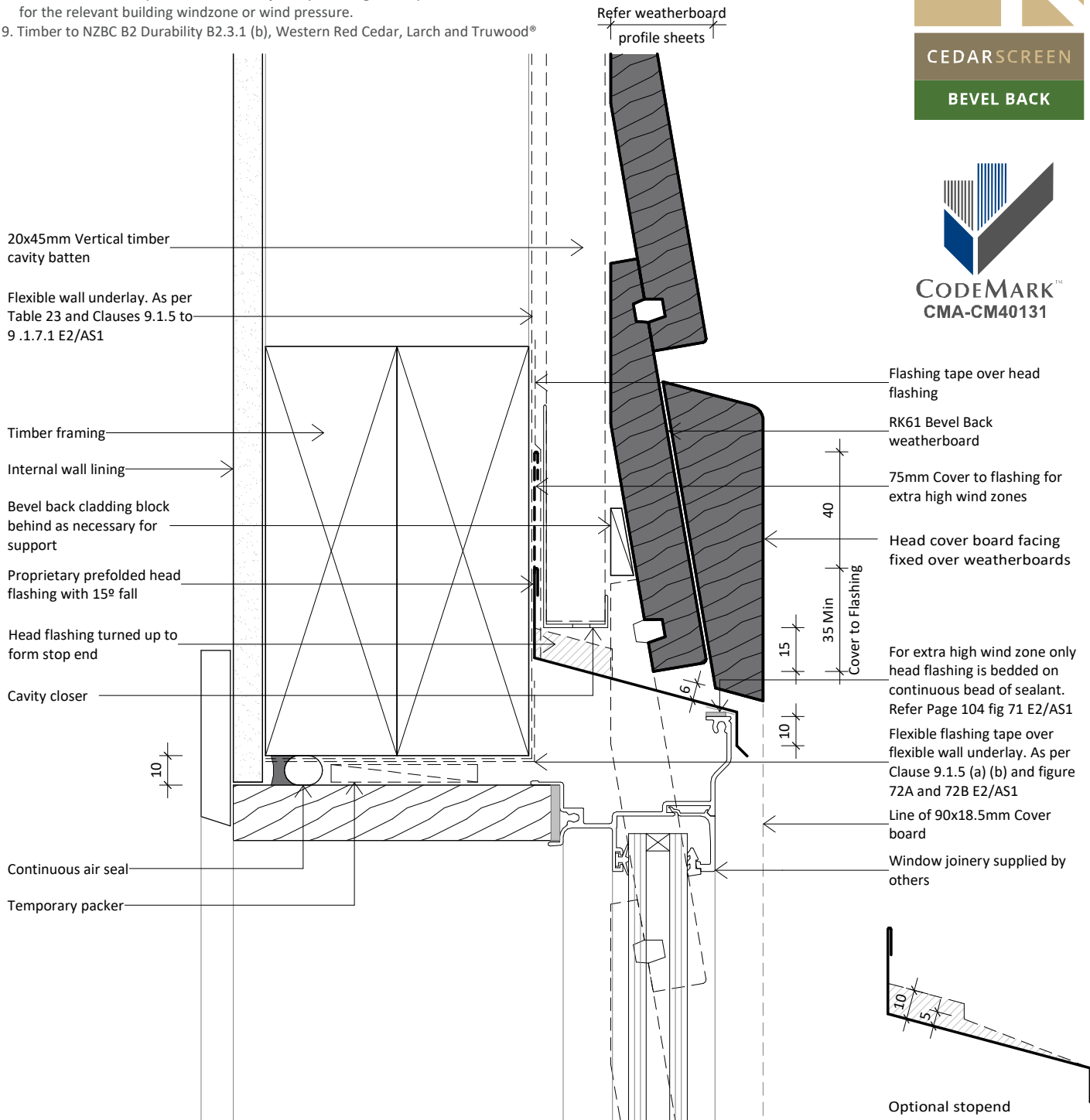
Christchurch Branch:
T: +64 3 349 3316
F: +64 3 349 3317
15 Edmonton Road
Hornby, Christchurch 8042

Title **Nail Fixing Detail
(Paint Finish Only)**

Drawing **RKB-C-49**

Scale 1 : 2 @ A4 Date 02.04.2019

1. Scope as per Clauses 1.0 and 9.4 E2/AS1
2. Profiles as per NZS 3617 Branz Bulletin 411
3. Fixings as per Table 24 E2/AS1
4. Compatibility of materials as per Tables 20-22 E2/AS1
5. Flashing as per Clause 4.0 E2/AS1
6. Rigid and flexible underlay as per Table 23 and Clauses 9.1.5 to 9.1.7 E2/AS1 or proprietary approved alternative
7. All weatherboards to be factory oiled to all faces and weathergrooves prior to installation use and maintain with Dryden products only.
8. The weatherboard system relies on the joinery meeting the requirements of NZS 4211 for the relevant building windzone or wind pressure.
9. Timber to NZBC B2 Durability B2.3.1 (b), Western Red Cedar, Larch and Truwood®



www.rosenfeldkidson.co.nz

Postal address: PO Box 621,
Shortland Street, Auckland 1140

Auckland Branch:
T: +64 9 573 0503
F: +64 9 573 0504
513 Mt Wellington Highway
Mt Wellington, Auckland 1060

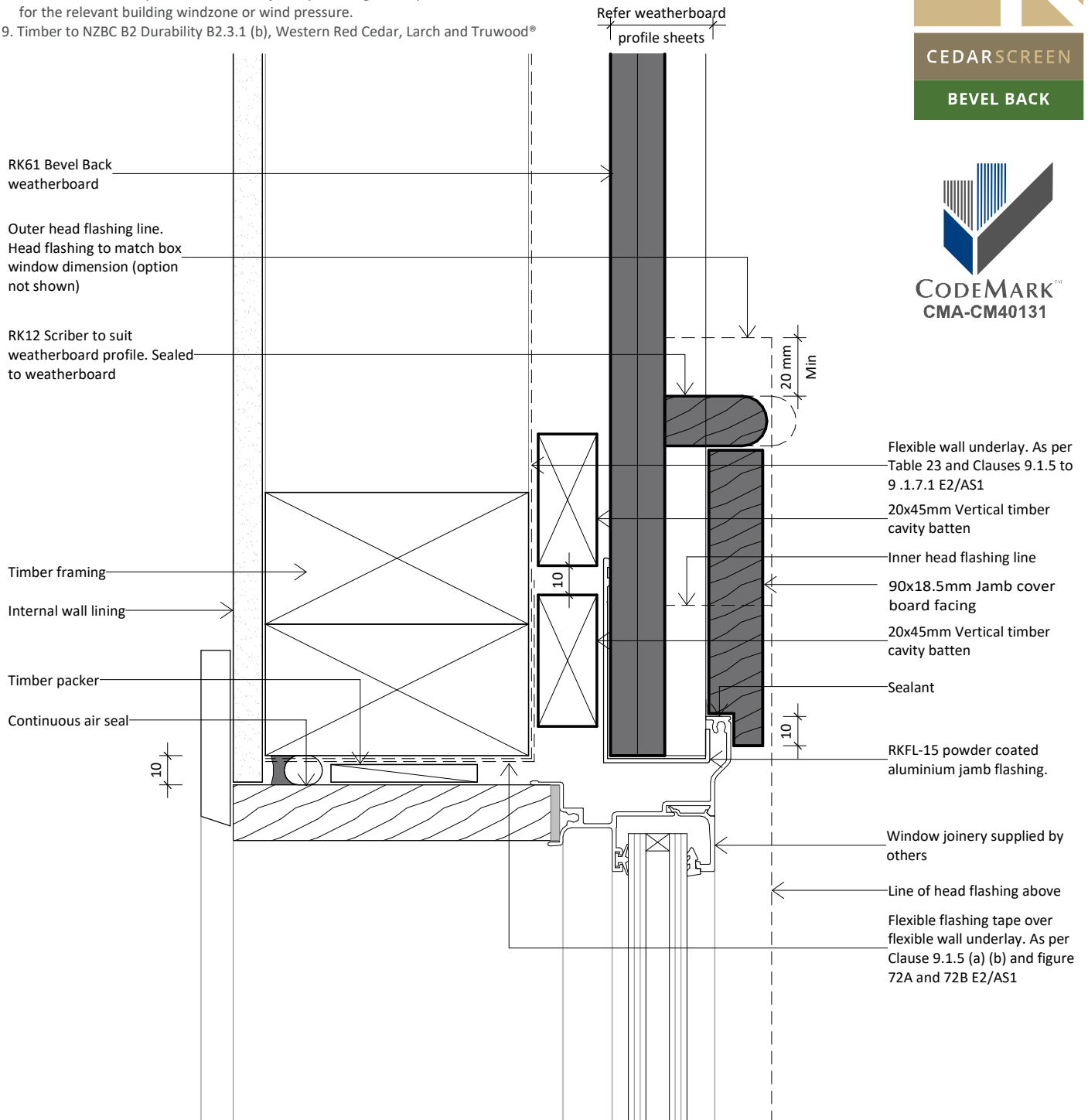
Christchurch Branch:
T: +64 3 349 3316
F: +64 3 349 3317
15 Edmonton Road
Hornby, Christchurch 8042

Title **Aluminium Boxed Head Detail - Option**

Drawing **RKB-C-91**

Scale 1 : 2 @ A4 Date 02.04.2019

1. Scope as per Clauses 1.0 and 9.4 E2/AS1
2. Profiles as per NZS 3617 Branz Bulletin 411
3. Fixings as per Table 24 E2/AS1
4. Compatibility of materials as per Tables 20-22 E2/AS1
5. Flashing as per Clause 4.0 E2/AS1
6. Rigid and flexible underlay as per Table 23 and Clauses 9.1.5 to 9.1.7 E2/AS1 or proprietary approved alternative
7. All weatherboards to be factory oiled to all faces and weathergrooves prior to installation use and maintain with Dryden products only.
8. The weatherboard system relies on the joinery meeting the requirements of NZS 4211 for the relevant building windzone or wind pressure.
9. Timber to NZBC B2 Durability B2.3.1 (b), Western Red Cedar, Larch and Truwood®



www.rosenfeldkidson.co.nz

Postal address: PO Box 621,
Shortland Street, Auckland 1140

Auckland Branch:
T: +64 9 573 0503
F: +64 9 573 0504
513 Mt Wellington Highway
Mt Wellington, Auckland 1060

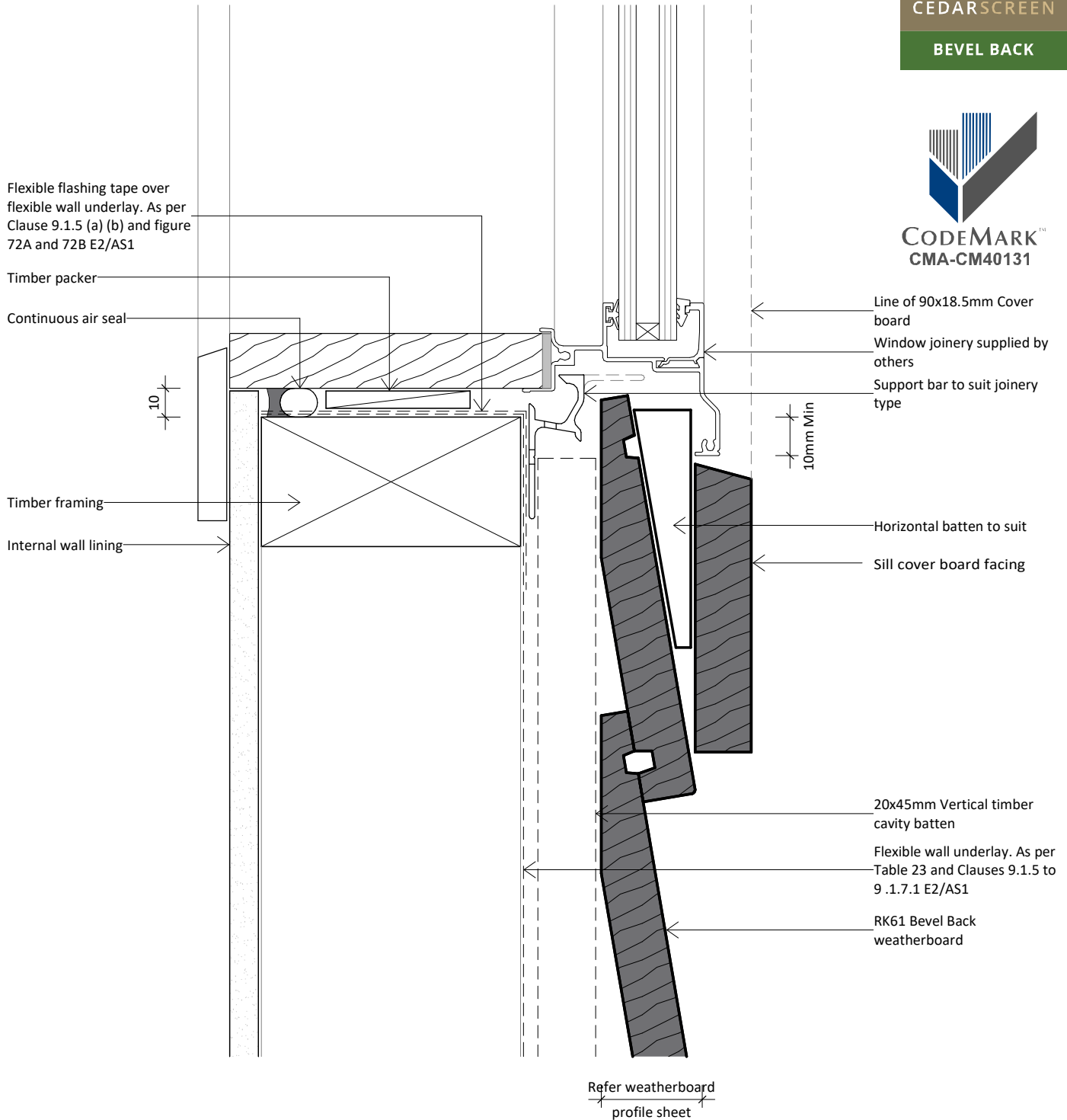
Christchurch Branch:
T: +64 3 349 3316
F: +64 3 349 3317
15 Edmonton Road
Hornby, Christchurch 8042

Title **Aluminium Boxed Jamb
Detail - Option**

Drawing **RKB-C-92**

Scale 1 : 2 @ A4 Date 02.04.2019

1. Scope as per Clauses 1.0 and 9.4 E2/AS1
2. Profiles as per NZS 3617 Branz Bulletin 411
3. Fixings as per Table 24 E2/AS1
4. Compatibility of materials as per Tables 20-22 E2/AS1
5. Flashing as per Clause 4.0 E2/AS1
6. Rigid and flexible underlay as per Table 23 and Clauses 9.1.5 to 9.1.7 E2/AS1 or proprietary approved alternative
7. All weatherboards to be factory oiled to all faces and weathergrooves prior to installation use and maintain with Dryden products only.
8. The weatherboard system relies on the joinery meeting the requirements of NZS 4211 for the relevant building windzone or wind pressure.
9. Timber to NZBC B2 Durability B2.3.1 (b), Western Red Cedar, Larch and Truwood®



www.rosenfeldkidson.co.nz

Postal address: PO Box 621,
Shortland Street, Auckland 1140

Auckland Branch:
T: +64 9 573 0503
F: +64 9 573 0504
513 Mt Wellington Highway
Mt Wellington, Auckland 1060

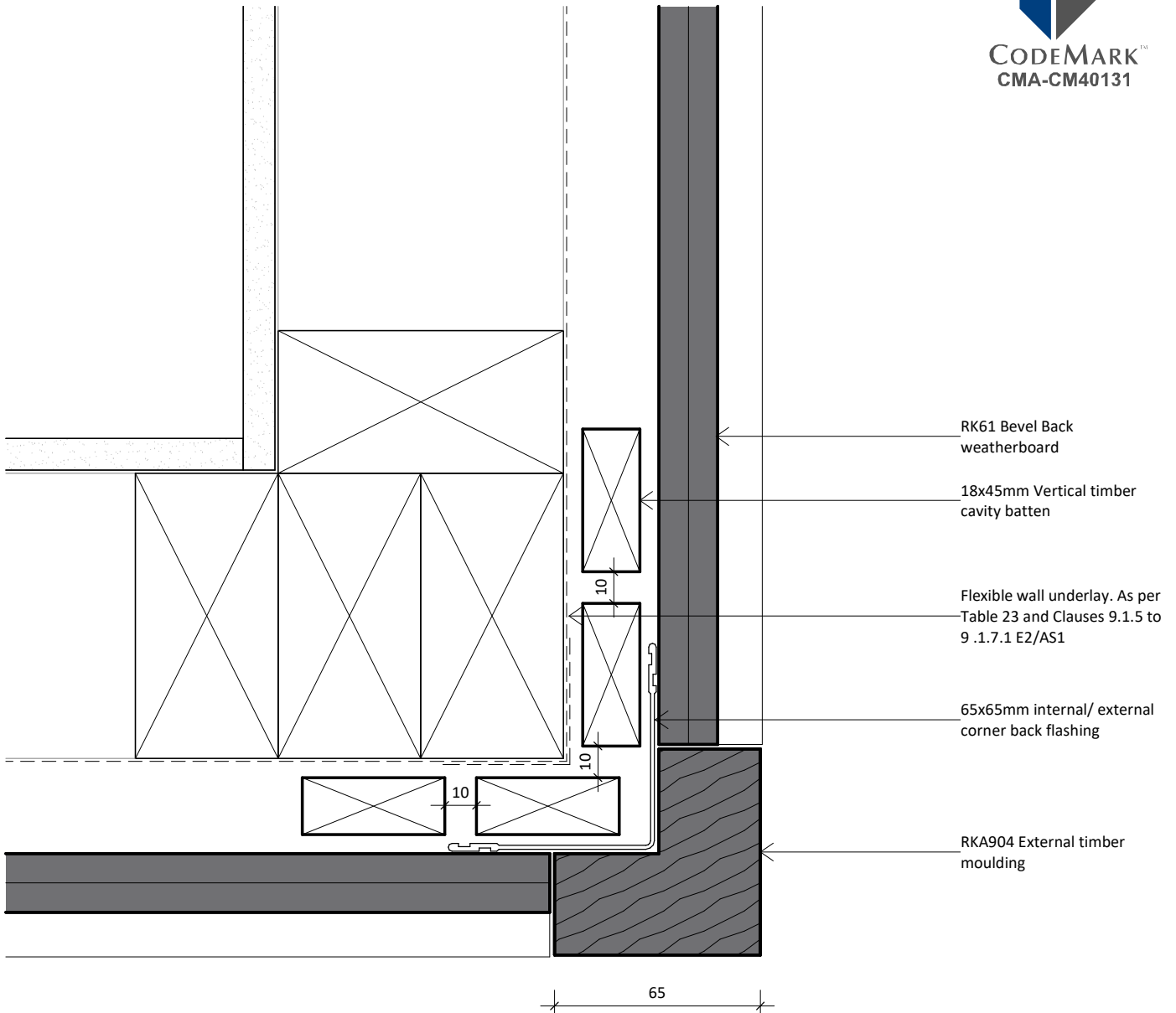
Christchurch Branch:
T: +64 3 349 3316
F: +64 3 349 3317
15 Edmonton Road
Hornby, Christchurch 8042

Title **Aluminium Boxed Sill
Detail - Option**

Drawing **RKB-C-93**

Scale 1 : 2 @ A4 Date 02.04.2019

1. Scope as per Clauses 1.0 and 9.4 E2/AS1
2. Profiles as per NZS 3617 Branz Bulletin 411
3. Fixings as per Table 24 E2/AS1
4. Compatibility of materials as per Tables 20-22 E2/AS1
5. Flashing as per Clause 4.0 E2/AS1
6. Rigid and flexible underlay as per Table 23 and Clauses 9.1.5 to 9.1.7 E2/AS1 or proprietary approved alternative
7. All weatherboards to be factory oiled to all faces and weathergrooves prior to installation use and maintain with Dryden products only.
8. The weatherboard system relies on the joinery meeting the requirements of NZS 4211 for the relevant building windzone or wind pressure.
9. Timber to NZBC B2 Durability B2.3.1 (b), Western Red Cedar, Larch and Truwood®



www.rosenfeldkidson.co.nz

Postal address: PO Box 621,
Shortland Street, Auckland 1140

Auckland Branch:
T: +64 9 573 0503
F: +64 9 573 0504
513 Mt Wellington Highway
Mt Wellington, Auckland 1060

Christchurch Branch:
T: +64 3 349 3316
F: +64 3 349 3317
15 Edmonton Road
Hornby, Christchurch 8042

Title **External Corner Detail - Option**

Drawing **RKB-C-94**

Scale 1 : 2 @ A4 Date 02.04.2019