

RKA702 Rusticated Weatherboard - 20mm Cavity on Rigid Underlay



Drawing	Sheet Name	Date
Typical Details		
RKR-RU-00	Index	02.04.2019
RKR-SETOUT	Weatherboard Setout	02.04.2019
RKR-C-BATT	RKR Battens	02.04.2019
RKFLG-1	Flashing Details	02.04.2019
RKFLG-2	Flashing Details	02.04.2019
RKFASCIA	Fascia Profiles	02.04.2019
RKMOULD	RK Profiles	02.04.2019
RKNAIL	RK Nails	02.04.2019
Window Details		
RKR-RU-01	Aluminium Head Detail	02.04.2019
RKR-RU-02	Aluminium Jamb Detail	02.04.2019
RKR-RU-02A	Aluminium Jamb Detail Option	02.04.2019
RKR-RU-02B	Aluminium Jamb Detail Option	02.04.2019
RKR-RU-03	Aluminium Sill Detail	02.04.2019
Internal Corner Details		
RKR-RU-11	Internal Corner RK41 Detail - Option 1	02.04.2019
External Corner Details		
RKR45-C-25	Random W+D External Corner Detail - Option	02.04.2019
RKR-RU-21	External Corner RK42 Detail - Option 1	02.04.2019
RKR-RU-22	External Corner Detail - Option 2	02.04.2019
RKR-RU-23	External Corner RK97 Detail - Option 3	02.04.2019
RKR-RU-25	External Corner Detail Option 5	02.04.2019
RKR-RU-26	External Corner Detail Option 6	02.04.2019
RKR-RU-27	External Corner Detail Option 7	02.04.2019
RKR-RU-28	External Corner Detail - Option 8	02.04.2019
Horizontal Details		
RKR-RU-31	Pipe Penetration Detail	02.04.2019
Vertical Details		
RKR-RU-41	Bottom Plate Detail	02.04.2019
RKR-RU-42	Top Plate to Soffit Detail	02.04.2019
RKR-RU-43	Barge Detail	02.04.2019
RKR-RU-44	Soffit Detail	02.04.2019
RKR-RU-45	Parapet Detail	02.04.2019
RKR-RU-46	Scarf Joint Detail	02.04.2019
RKR-RU-47	Nail Fixing Detail	02.04.2019
RKR-RU-49	Nail Fixing Detail (Paint Finish Only)	02.04.2019
RKR-RU-91	Aluminium Head Detail Option	02.04.2019
RKR-RU-92	Bottom Plate Detail Option	02.04.2019
RKR-RU-93	Soffit Detail Option	02.04.2019
Optional Details		
RKR-RU-94	Random W+D External Corner Detail - Option	02.04.2019
RKR-RU-95	Random W+D External Corner Detail - Option	02.04.2019



www.rosenfeldkidson.co.nz

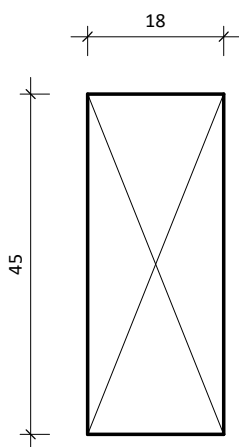
Postal address: PO Box 621,
Shortland Street, Auckland 1140

Auckland Branch:
T: +64 9 573 0503
F: +64 9 573 0504
513 Mt Wellington Highway
Mt Wellington, Auckland 1060

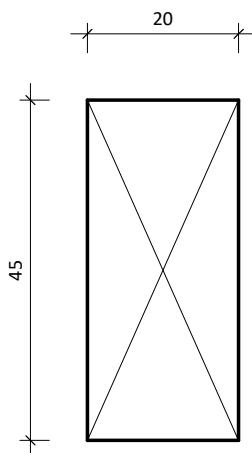
Christchurch Branch:
T: +64 3 349 3316
F: +64 3 349 3317
15 Edmonton Road
Hornby, Christchurch 8042

Title	Index
Drawing	RKR-RU-00
Scale	@ A4
Date	02.04.2019

1. Scope as per Clauses 1.0 and 9.4 E2/AS1
2. Profiles as per NZS 3617 Branz Bulletin 411
3. Fixings as per Table 24 E2/AS1
4. Compatibility of materials as per Tables 20-22 E2/AS1
5. Flashing as per Clause 4.0 E2/AS1
6. Rigid and flexible underlay as per Table 23 and Clauses 9.1.5 to 9.1.7 E2/AS1 or proprietary approved alternative
7. All weatherboards to be factory oiled to all faces and weathergrooves prior to installation use and maintain with Dryden products only.
8. The weatherboard system relies on the joinery meeting the requirements of NZS 4211 for the relevant building windzone or wind pressure.
9. Timber to NZBC B2 Durability B2.3.1 (b), Western Red Cedar, Larch and Truwood



18x45mm Vertical timber cavity batten



20x45mm Vertical timber cavity batten



www.rosenfeldkidson.co.nz

Postal address: PO Box 621,
Shortland Street, Auckland 1140

Auckland Branch:
T: +64 9 573 0503
F: +64 9 573 0504
513 Mt Wellington Highway
Mt Wellington, Auckland 1060

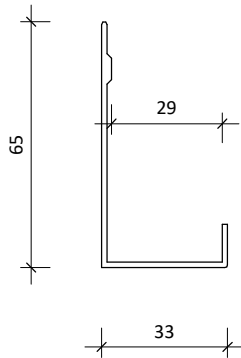
Christchurch Branch:
T: +64 3 349 3316
F: +64 3 349 3317
15 Edmonton Road
Hornby, Christchurch 8042

Title **RKR Battens**

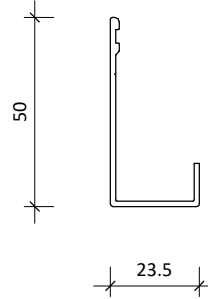
Drawing **RKR-C-BATT**

Scale 1 : 1 @ A4 Date 02.04.2019

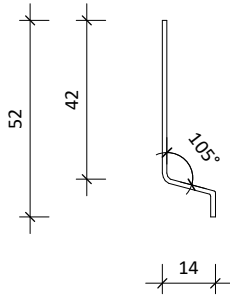
1. Scope as per Clauses 1.0 and 9.4 E2/AS1
2. Profiles as per NZS 3617 Branz Bulletin 411
3. Fixings as per Table 24 E2/AS1
4. Compatibility of materials as per Tables 20-22 E2/AS1
5. Flashing as per Clause 4.0 E2/AS1
6. Rigid and flexible underlay as per Table 23 and Clauses 9.1.5 to 9.1.7 E2/AS1 or proprietary approved alternative
7. All weatherboards to be factory oiled to all faces and weathergrooves prior to installation use and maintain with Dryden products only.
8. The weatherboard system relies on the joinery meeting the requirements of NZS 4211 for the relevant building windzone or wind pressure.
9. Timber to NZBC B2 Durability B2.3.1 (b), Western Red Cedar, Larch and Truwood



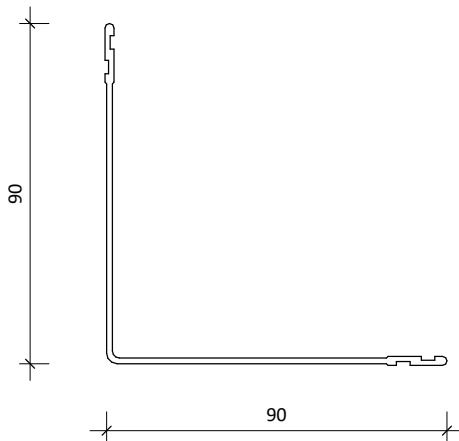
RKFL-17 powder coated aluminium jamb flashing.



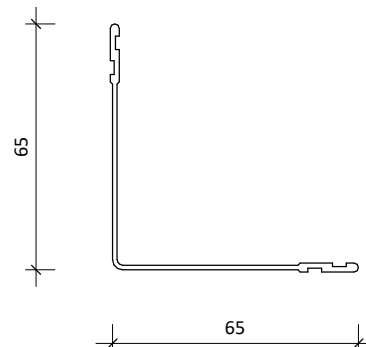
RKFL-18.5 powder coated aluminium optional soffit flashing



RKFL-12 42x14mm Cavity closer. Tack cavity closer @ 600mm crs



90x90mm internal/ external corner back flashing



65x65mm internal/ external corner back flashing



www.rosenfeldkidson.co.nz

Postal address: PO Box 621,
Shortland Street, Auckland 1140

Auckland Branch:
T: +64 9 573 0503
F: +64 9 573 0504
513 Mt Wellington Highway
Mt Wellington, Auckland 1060

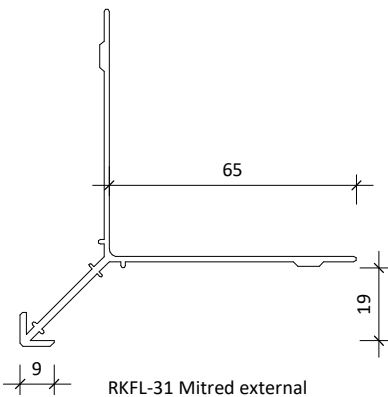
Christchurch Branch:
T: +64 3 349 3316
F: +64 3 349 3317
15 Edmonton Road
Hornby, Christchurch 8042

Title **Flashing Details**

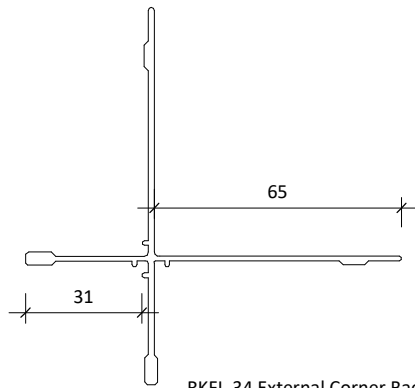
Drawing
RKFLG-1

Scale 1 : 2 @ A4 Date 02.04.2019

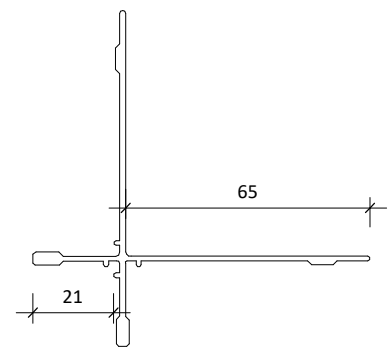
1. Scope as per Clauses 1.0 and 9.4 E2/AS1
2. Profiles as per NZS 3617 Branz Bulletin 411
3. Fixings as per Table 24 E2/AS1
4. Compatibility of materials as per Tables 20-22 E2/AS1
5. Flashing as per Clause 4.0 E2/AS1
6. Rigid and flexible underlay as per Table 23 and Clauses 9.1.5 to 9.1.7 E2/AS1 or proprietary approved alternative
7. All weatherboards to be factory oiled to all faces and weathergrooves prior to installation use and maintain with Dryden products only.
8. The weatherboard system relies on the joinery meeting the requirements of NZS 4211 for the relevant building windzone or wind pressure.
9. Timber to NZBC B2 Durability B2.3.1 (b), Western Red Cedar, Larch and Truwood



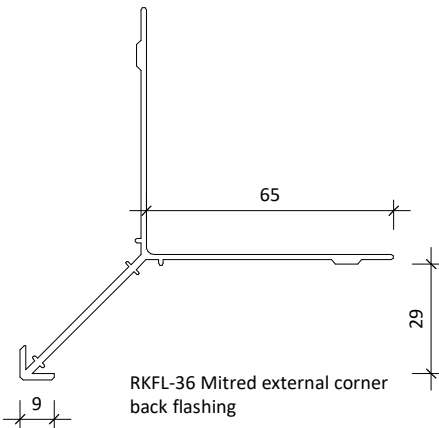
RKFL-31 Mitred external corner back flashing



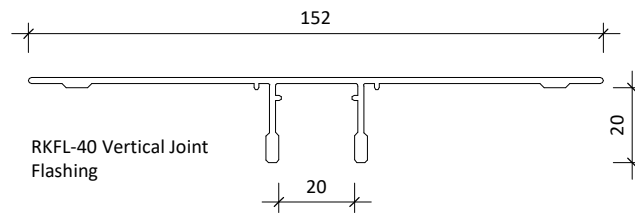
RKFL-34 External Corner Back Flashing



RKFL-35 External Corner Back Flashing



RKFL-36 Mitred external corner back flashing



RKFL-40 Vertical Joint Flashing



www.rosenfeldkidson.co.nz

Postal address: PO Box 621,
Shortland Street, Auckland 1140

Auckland Branch:
T: +64 9 573 0503
F: +64 9 573 0504
513 Mt Wellington Highway
Mt Wellington, Auckland 1060

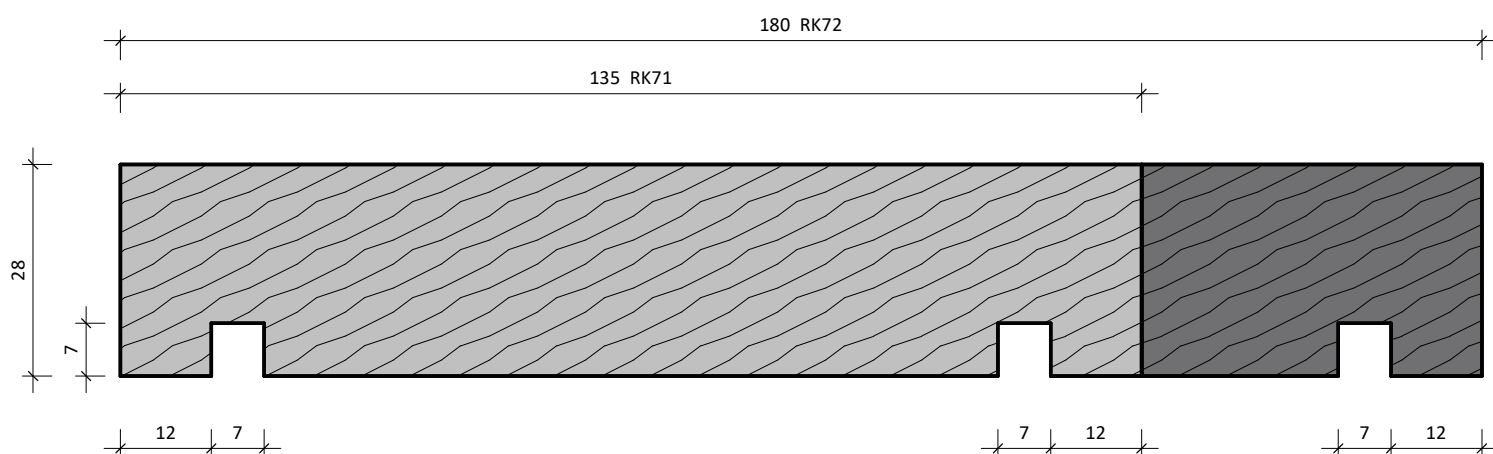
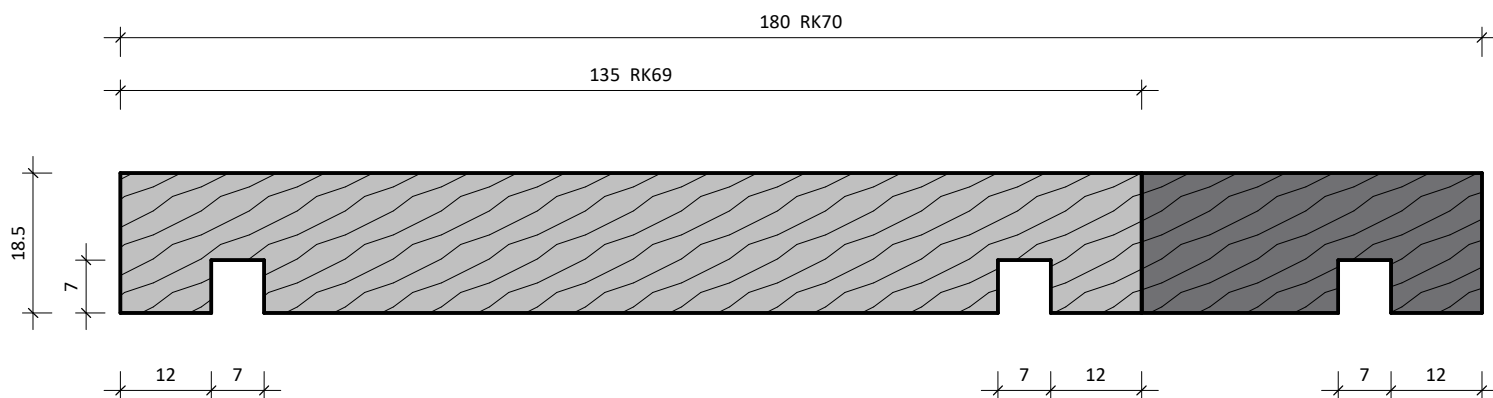
Christchurch Branch:
T: +64 3 349 3316
F: +64 3 349 3317
15 Edmonton Road
Hornby, Christchurch 8042

Title **Flashing Details**

Drawing
RKFLG-2

Scale 1 : 2 @ A4 Date 02.04.2019

1. Scope as per Clauses 1.0 and 9.4 E2/AS1
2. Profiles as per NZS 3617 Branz Bulletin 411
3. Fixings as per Table 24 E2/AS1
4. Compatibility of materials as per Tables 20-22 E2/AS1
5. Flashing as per Clause 4.0 E2/AS1
6. Rigid and flexible underlay as per Table 23 and Clauses 9.1.5 to 9.1.7 E2/AS1 or proprietary approved alternative
7. All weatherboards to be factory oiled to all faces and weathergrooves prior to installation use and maintain with Dryden products only.
8. The weatherboard system relies on the joinery meeting the requirements of NZS 4211 for the relevant building windzone or wind pressure.
9. Timber to NZBC B2 Durability B2.3.1 (b), Western Red Cedar, Larch and Truwood



www.rosenfeldkidson.co.nz

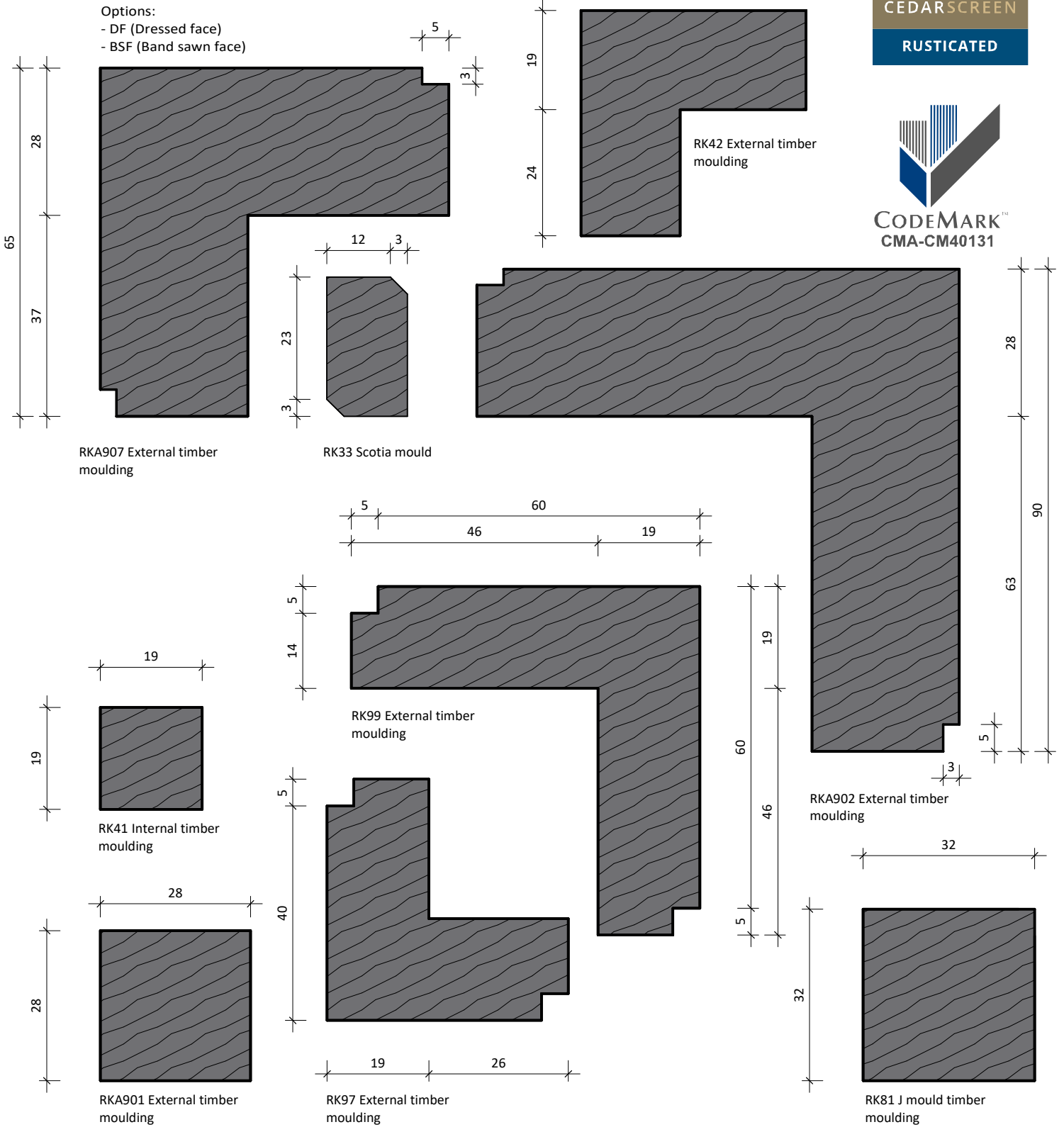
Postal address: PO Box 621,
Shortland Street, Auckland 1140

Auckland Branch:
T: +64 9 573 0503
F: +64 9 573 0504
513 Mt Wellington Highway
Mt Wellington, Auckland 1060

Christchurch Branch:
T: +64 3 349 3316
F: +64 3 349 3317
15 Edmonton Road
Hornby, Christchurch 8042

Title	Fascia Profiles		
Drawing	RKFASCIA		
Scale	1 : 1 @ A4	Date	02.04.2019

1. Scope as per Clauses 1.0 and 9.4 E2/AS1
2. Profiles as per NZS 3617 Branz Bulletin 411
3. Fixings as per Table 24 E2/AS1
4. Compatibility of materials as per Tables 20-22 E2/AS1
5. Flashing as per Clause 4.0 E2/AS1
6. Rigid and flexible underlay as per Table 23 and Clauses 9.1.5 to 9.1.7 E2/AS1 or proprietary approved alternative
7. All weatherboards to be factory oiled to all faces and weathergrooves prior to installation use and maintain with Dryden products only.
8. The weatherboard system relies on the joinery meeting the requirements of NZS 4211 for the relevant building windzone or wind pressure.
9. Timber to NZBC B2 Durability B2.3.1 (b), Western Red Cedar, Larch and Truwood



www.rosenfeldkidson.co.nz

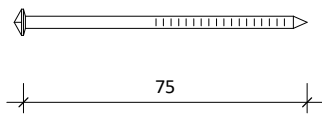
Postal address: PO Box 621,
Shortland Street, Auckland 1140

Auckland Branch:
 T: +64 9 573 0503
 F: +64 9 573 0504
 513 Mt Wellington Highway
 Mt Wellington, Auckland 1060

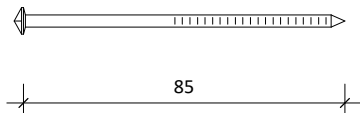
Christchurch Branch:
 T: +64 3 349 3316
 F: +64 3 349 3317
 15 Edmonton Road
 Hornby, Christchurch 8042

Title	RK Profiles		
Drawing	RKMOULD		
Scale	1 : 1 @ A4	Date	02.04.2019

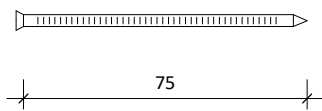
1. Scope as per Clauses 1.0 and 9.4 E2/AS1
2. Profiles as per NZS 3617 Branz Bulletin 411
3. Fixings as per Table 24 E2/AS1
4. Compatibility of materials as per Tables 20-22 E2/AS1
5. Flashing as per Clause 4.0 E2/AS1
6. Rigid and flexible underlay as per Table 23 and Clauses 9.1.5 to 9.1.7 E2/AS1 or proprietary approved alternative
7. All weatherboards to be factory oiled to all faces and weathergrooves prior to installation use and maintain with Dryden products only.
8. The weatherboard system relies on the joinery meeting the requirements of NZS 4211 for the relevant building windzone or wind pressure.
9. Timber to NZBC B2 Durability B2.3.1 (b), Western Red Cedar, Larch and Truwood



Flexible underlay 75 x 3.15mm

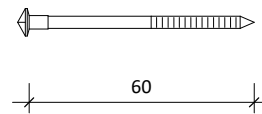


Rigid underlay 85 x 3.15mm

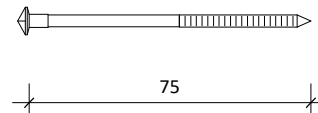


Cavity and direct fixed 75 x 3.30mm Stainless steel nail Jolthead nail for paint finish weatherboards.

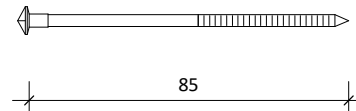
RK Plug Nail Range



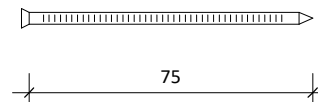
Cedarscreen Plug Nail 60 x 3.15mm



Cedarscreen Plug Nail 75 x 3.15mm



Cedarscreen Plug Nail 85 x 3.15mm



Cavity fixed 75 x 3.30mm Stainless steel nail Jolthead nail for paint finish weatherboards.



Options:
 - Silicon bronze annular groove
 - Stainless steel 6 grade annular groove
 - All fixing nails to be annular groove
www.rosenfeldkidson.co.nz

Postal address: PO Box 621,
 Shortland Street, Auckland 1140

Auckland Branch:
 T: +64 9 573 0503
 F: +64 9 573 0504
 513 Mt Wellington Highway
 Mt Wellington, Auckland 1060

Christchurch Branch:
 T: +64 3 349 3316
 F: +64 3 349 3317
 15 Edmonton Road
 Hornby, Christchurch 8042

Title	RK Nails		
Drawing	RKNAIL		
Scale	1 : 2 @ A4	Date	02.04.2019

1. Scope as per Clauses 1.0 and 9.4 E2/AS1
2. Profiles as per NZS 3617 Branz Bulletin 411
3. Fixings as per Table 24 E2/AS1
4. Compatibility of materials as per Tables 20-22 E2/AS1
5. Flashing as per Clause 4.0 E2/AS1
6. Rigid and flexible underlay as per Table 23 and Clauses 9.1.5 to 9.1.7 E2/AS1 or proprietary approved alternative
7. All weatherboards to be factory oiled to all faces and weathergrooves prior to installation use and maintain with Dryden products only.
8. The weatherboard system relies on the joinery meeting the requirements of NZS 4211 for the relevant building windzone or wind pressure.
9. Timber to NZBC B2 Durability B2.3.1 (b), Western Red Cedar, Larch and Truwood



6mm Fibre cement or 7mm ply rigid wall underlay. As per Table 23 and Clauses 9.1.5 to 9.1.7 and 9.1.7.2 E2/AS1

Timber framing

Internal wall lining

RKFL-12 42x14mm Cavity closer. Tack cavity closer @ 600mm crs

Proprietary prefolded head flashing with 15° fall

Head flashing turned up to form stop end

Continuous air seal

Temporary packer

RKA702 Rusticated weatherboard

Flashing tape over head flashing

75mm Cover to flashing for extra high wind zones

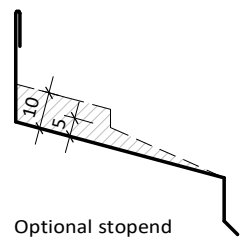
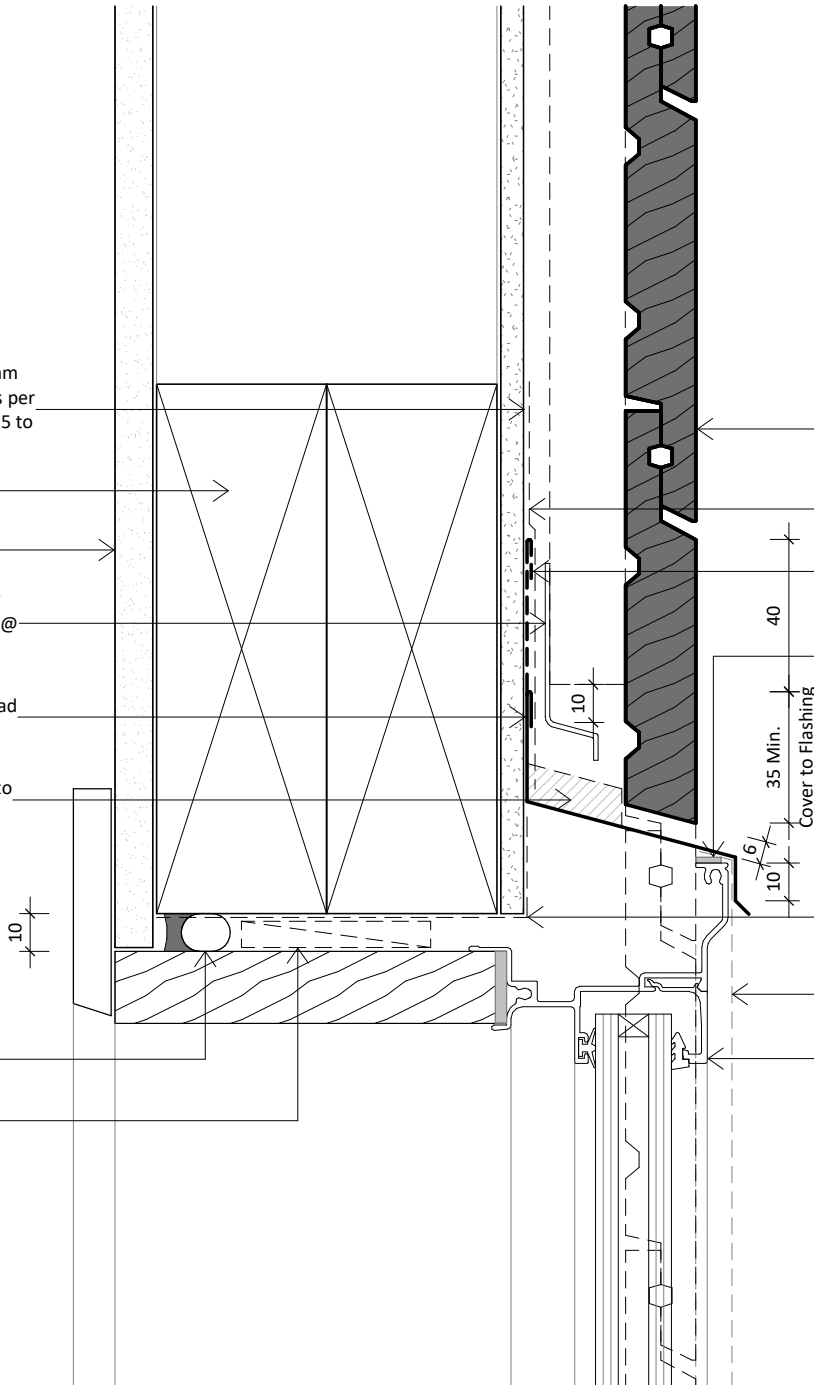
For extra high wind zone only head flashing is bedded on continuous bead of sealant. Refer Page 104 fig 71 E2/AS1

Flexible flashing tape over rigid wall underlay. As per Clause 9.1.5 (a) (b) and figure 72A and 72B E2/AS1

Line of jamb scribe

Window joinery supplied by others

Optional stop end



www.rosenfeldkidson.co.nz

Postal address: PO Box 621, Shortland Street, Auckland 1140

Auckland Branch:

T: +64 9 573 0503

F: +64 9 573 0504

513 Mt Wellington Highway

Mt Wellington, Auckland 1060

Christchurch Branch:

T: +64 3 349 3316

F: +64 3 349 3317

15 Edmonton Road

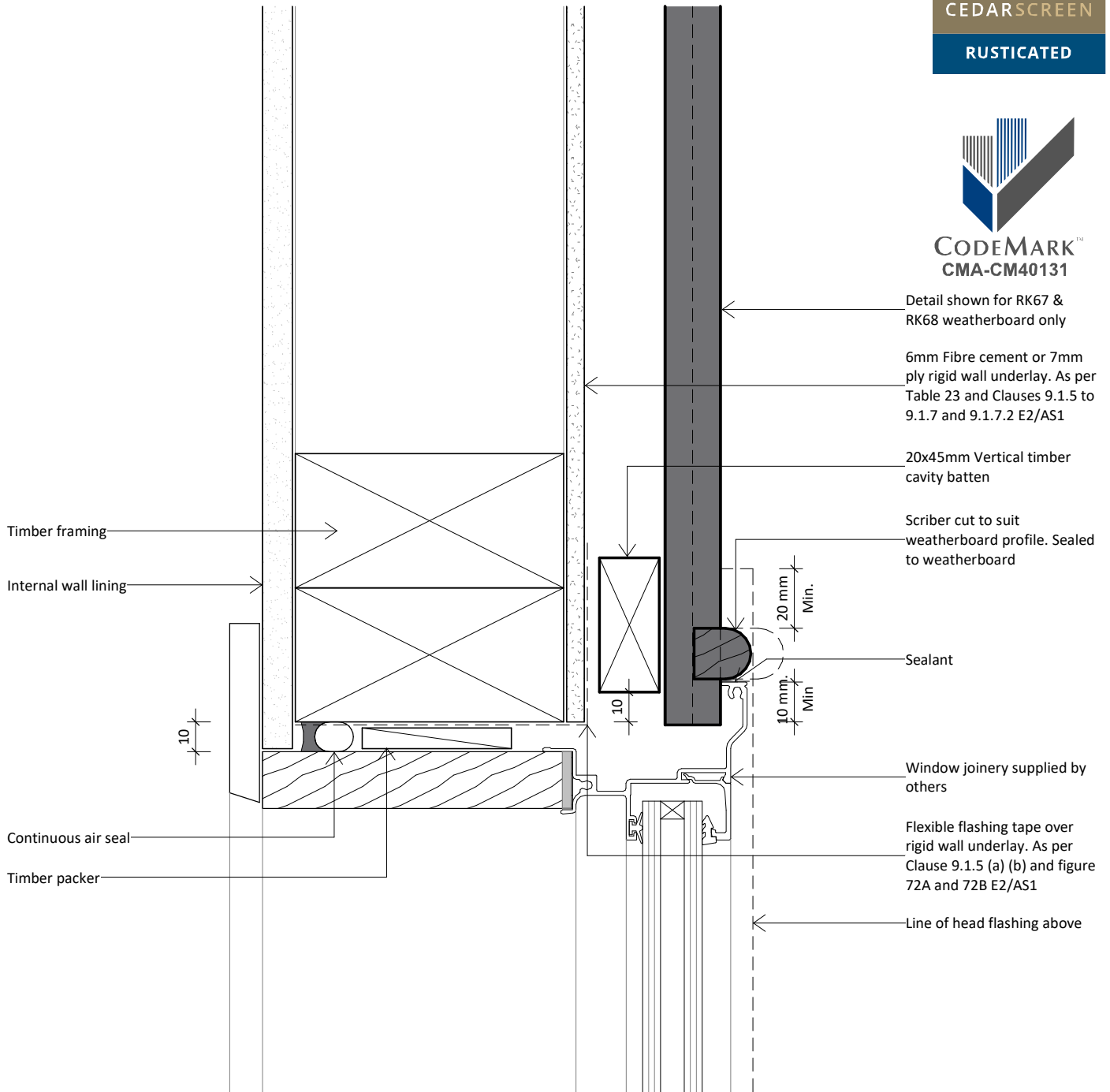
Hornby, Christchurch 8042

Title **Aluminium Head Detail**

Drawing **RKR-RU-01**

Scale 1 : 2 @ A4 Date 02.04.2019

1. Scope as per Clauses 1.0 and 9.4 E2/AS1
2. Profiles as per NZS 3617 Branz Bulletin 411
3. Fixings as per Table 24 E2/AS1
4. Compatibility of materials as per Tables 20-22 E2/AS1
5. Flashing as per Clause 4.0 E2/AS1
6. Rigid and flexible underlay as per Table 23 and Clauses 9.1.5 to 9.1.7 E2/AS1 or proprietary approved alternative
7. All weatherboards to be factory oiled to all faces and weathergrooves prior to installation use and maintain with Dryden products only.
8. The weatherboard system relies on the joinery meeting the requirements of NZS 4211 for the relevant building windzone or wind pressure.
9. Timber to NZBC B2 Durability B2.3.1 (b), Western Red Cedar, Larch and Truwood



www.rosenfeldkidson.co.nz

Postal address: PO Box 621,
Shortland Street, Auckland 1140

Auckland Branch:
T: +64 9 573 0503
F: +64 9 573 0504
513 Mt Wellington Highway
Mt Wellington, Auckland 1060

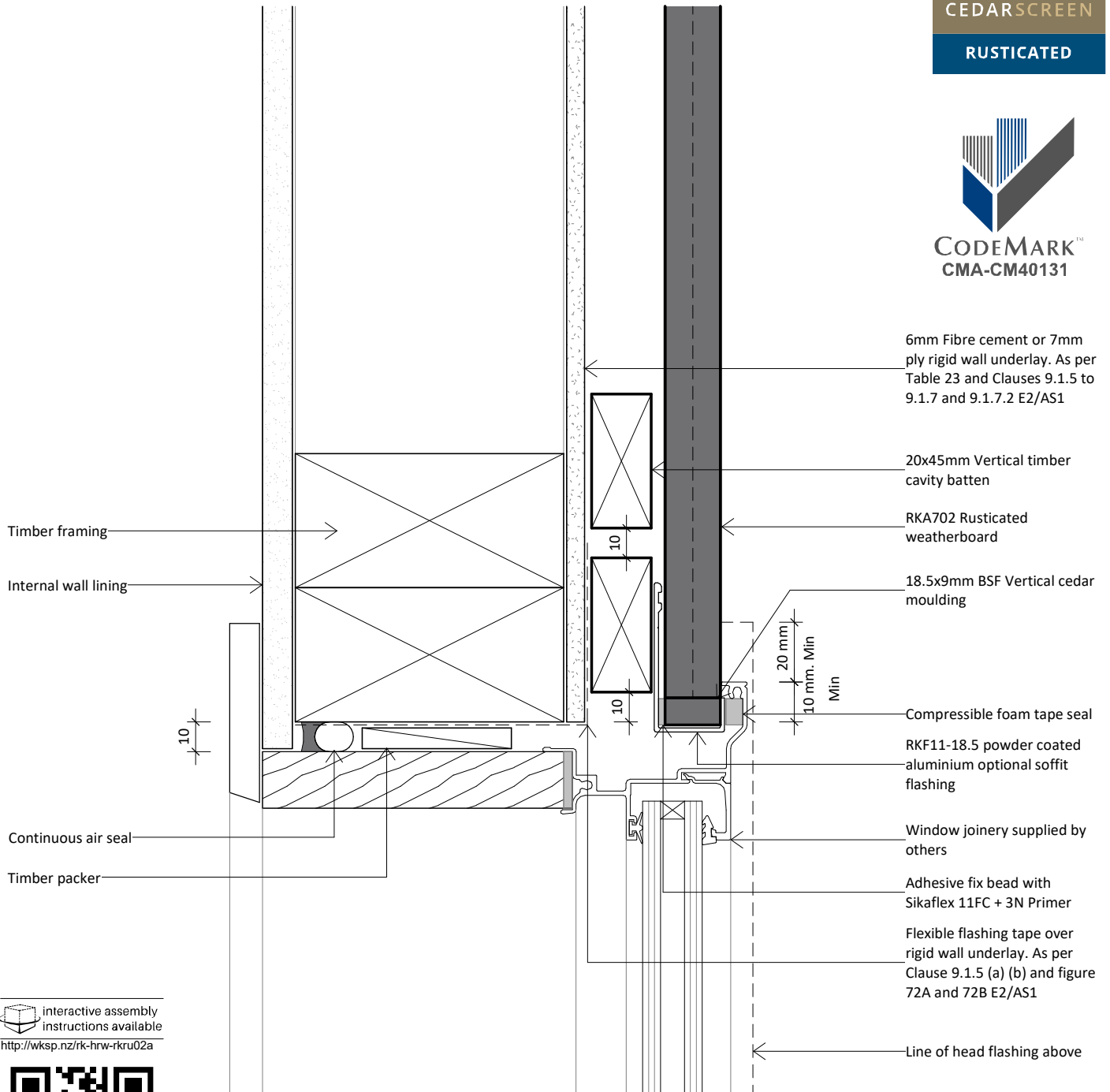
Christchurch Branch:
T: +64 3 349 3316
F: +64 3 349 3317
15 Edmonton Road
Hornby, Christchurch 8042

Title **Aluminium Jamb Detail**

Drawing **RKR-RU-02**

Scale 1 : 2 @ A4 Date 02.04.2019

1. Scope as per Clauses 1.0 and 9.4 E2/AS1
2. Profiles as per NZS 3617 Branz Bulletin 411
3. Fixings as per Table 24 E2/AS1
4. Compatibility of materials as per Tables 20-22 E2/AS1
5. Flashing as per Clause 4.0 E2/AS1
6. Rigid and flexible underlay as per Table 23 and Clauses 9.1.5 to 9.1.7 E2/AS1 or proprietary approved alternative
7. All weatherboards to be factory oiled to all faces and weathergrooves prior to installation use and maintain with Dryden products only.
8. The weatherboard system relies on the joinery meeting the requirements of NZS 4211 for the relevant building windzone or wind pressure.
9. Timber to NZBC B2 Durability B2.3.1 (b), Western Red Cedar, Larch and Truwood



interactive assembly instructions available
<http://wksp.nz/rk-hrw-rkru02a>



get WorkingSpec from Apple App Store or Google Play



www.rosenfeldkidson.co.nz

Postal address: PO Box 621,
Shortland Street, Auckland 1140

Auckland Branch:
 T: +64 9 573 0503
 F: +64 9 573 0504
 513 Mt Wellington Highway
 Mt Wellington, Auckland 1060

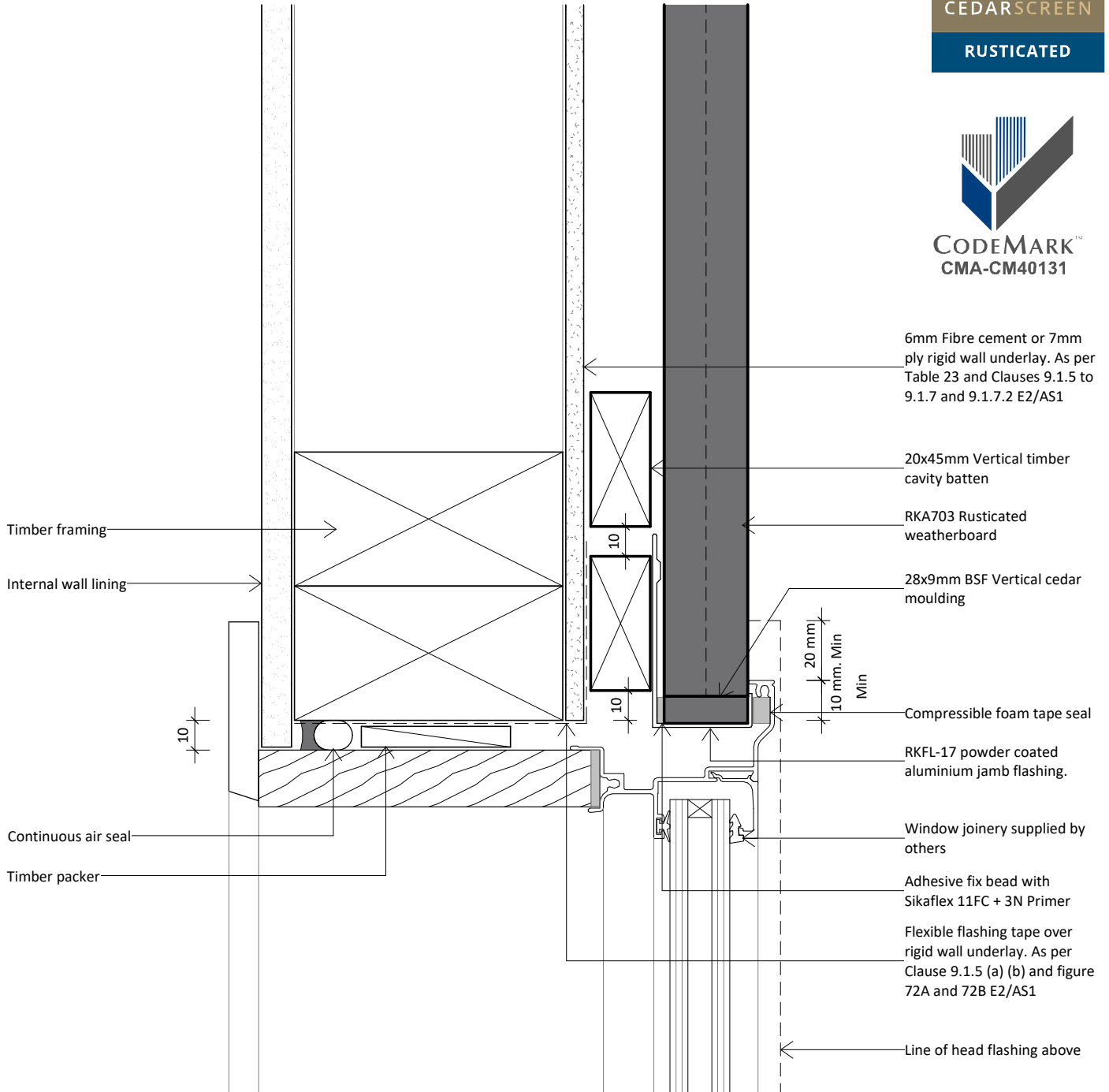
Christchurch Branch:
 T: +64 3 349 3316
 F: +64 3 349 3317
 15 Edmonton Road
 Hornby, Christchurch 8042

Title **Aluminium Jamb Detail Option**

Drawing **RKR-RU-02A**

Scale 1 : 2 @ A4 Date 02.04.2019

1. Scope as per Clauses 1.0 and 9.4 E2/AS1
2. Profiles as per NZS 3617 Branz Bulletin 411
3. Fixings as per Table 24 E2/AS1
4. Compatibility of materials as per Tables 20-22 E2/AS1
5. Flashing as per Clause 4.0 E2/AS1
6. Rigid and flexible underlay as per Table 23 and Clauses 9.1.5 to 9.1.7 E2/AS1 or proprietary approved alternative
7. All weatherboards to be factory oiled to all faces and weathergrooves prior to installation use and maintain with Dryden products only.
8. The weatherboard system relies on the joinery meeting the requirements of NZS 4211 for the relevant building windzone or wind pressure.
9. Timber to NZBC B2 Durability B2.3.1 (b), Western Red Cedar, Larch and Truwood



www.rosenfeldkidson.co.nz

Postal address: PO Box 621,
Shortland Street, Auckland 1140

Auckland Branch:
T: +64 9 573 0503
F: +64 9 573 0504
513 Mt Wellington Highway
Mt Wellington, Auckland 1060

Christchurch Branch:
T: +64 3 349 3316
F: +64 3 349 3317
15 Edmonton Road
Hornby, Christchurch 8042

Title **Aluminium Jamb Detail Option**

Drawing **RKR-RU-02B**

Scale 1 : 2 @ A4 Date 02.04.2019

1. Scope as per Clauses 1.0 and 9.4 E2/AS1
2. Profiles as per NZS 3617 Branz Bulletin 411
3. Fixings as per Table 24 E2/AS1
4. Compatibility of materials as per Tables 20-22 E2/AS1
5. Flashing as per Clause 4.0 E2/AS1
6. Rigid and flexible underlay as per Table 23 and Clauses 9.1.5 to 9.1.7 E2/AS1 or proprietary approved alternative
7. All weatherboards to be factory oiled to all faces and weathergrooves prior to installation use and maintain with Dryden products only.
8. The weatherboard system relies on the joinery meeting the requirements of NZS 4211 for the relevant building windzone or wind pressure.
9. Timber to NZBC B2 Durability B2.3.1 (b), Western Red Cedar, Larch and Truwood



Flexible flashing tape over rigid wall underlay. As per Clause 9.1.5 (a) (b) and figure 72A and 72B E2/AS1

Timber packer

Continuous air seal

10

Timber framing

Internal wall lining

Window joinery supplied by others

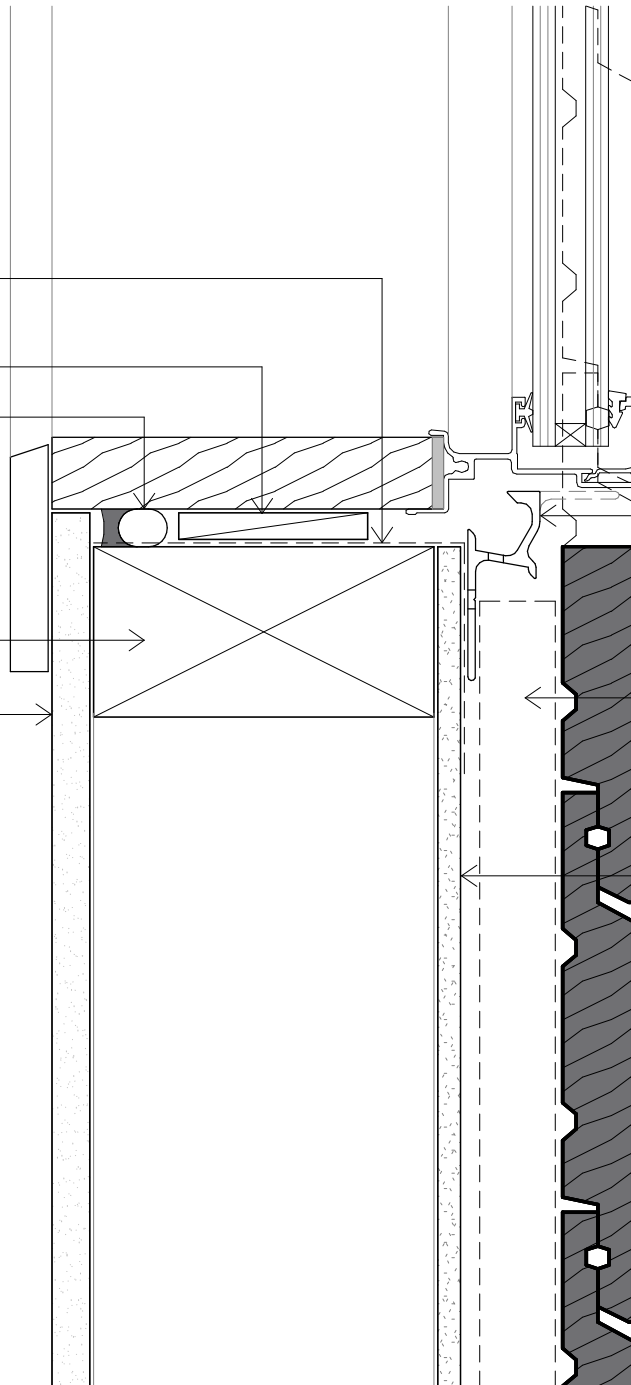
Support bar to suit joinery type

10mm Min

20x45mm Vertical timber cavity batten

RKA702 Rusticated weatherboard

6mm Fibre cement or 7mm ply rigid wall underlay. As per Table 23 and Clauses 9.1.5 to 9.1.7 and 9.1.7.2 E2/AS1



www.rosenfeldkidson.co.nz

Postal address: PO Box 621,
Shortland Street, Auckland 1140

Auckland Branch:

T: +64 9 573 0503

F: +64 9 573 0504

513 Mt Wellington Highway

Mt Wellington, Auckland 1060

Christchurch Branch:

T: +64 3 349 3316

F: +64 3 349 3317

15 Edmonton Road

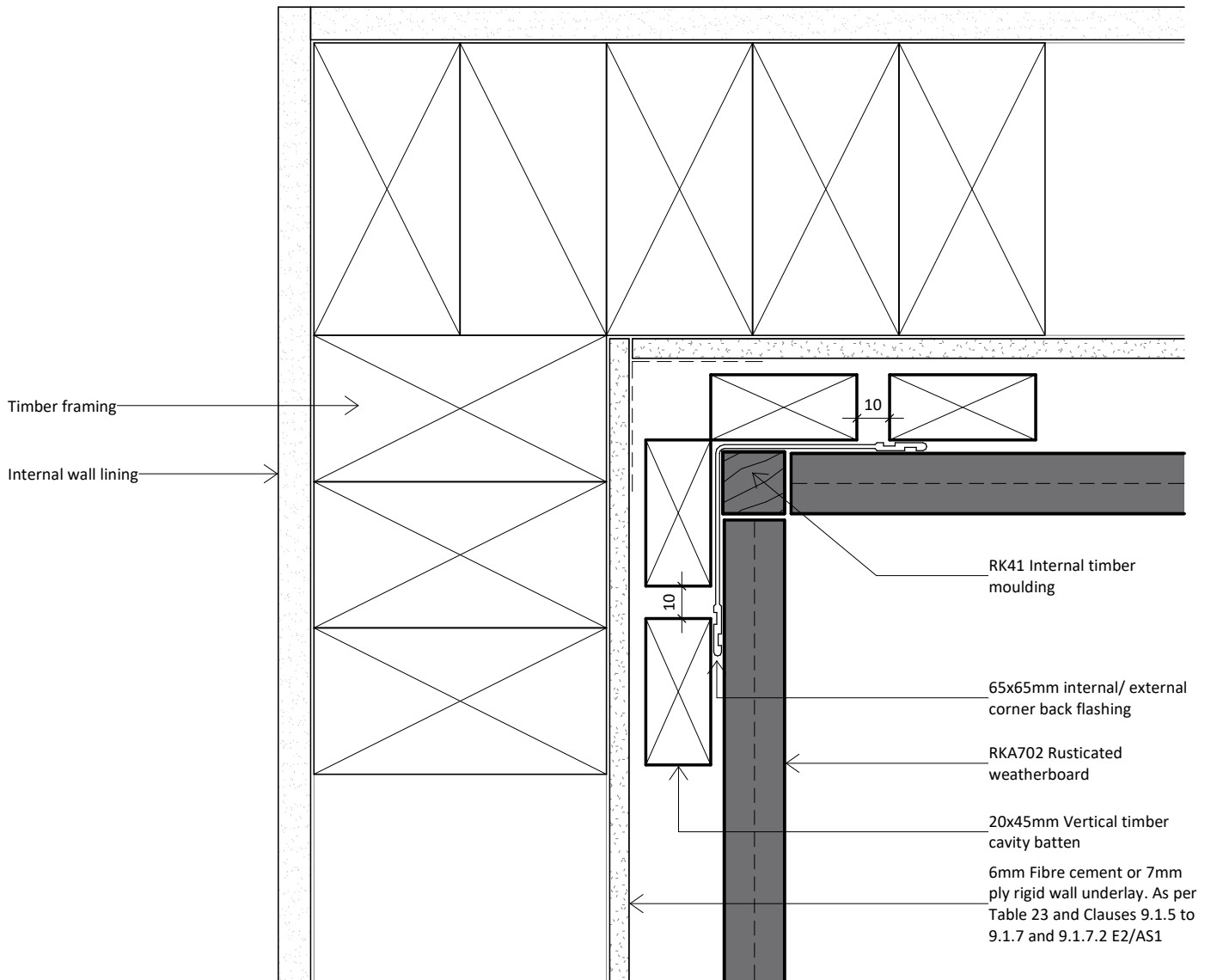
Hornby, Christchurch 8042

Title **Aluminium Sill Detail**

Drawing **RKR-RU-03**

Scale 1 : 2 @ A4 Date 02.04.2019

1. Scope as per Clauses 1.0 and 9.4 E2/AS1
2. Profiles as per NZS 3617 Branz Bulletin 411
3. Fixings as per Table 24 E2/AS1
4. Compatibility of materials as per Tables 20-22 E2/AS1
5. Flashing as per Clause 4.0 E2/AS1
6. Rigid and flexible underlay as per Table 23 and Clauses 9.1.5 to 9.1.7 E2/AS1 or proprietary approved alternative
7. All weatherboards to be factory oiled to all faces and weathergrooves prior to installation use and maintain with Dryden products only.
8. The weatherboard system relies on the joinery meeting the requirements of NZS 4211 for the relevant building windzone or wind pressure.
9. Timber to NZBC B2 Durability B2.3.1 (b), Western Red Cedar, Larch and Truwood



www.rosenfeldkidson.co.nz

Postal address: PO Box 621,
Shortland Street, Auckland 1140

Auckland Branch:
T: +64 9 573 0503
F: +64 9 573 0504
513 Mt Wellington Highway
Mt Wellington, Auckland 1060

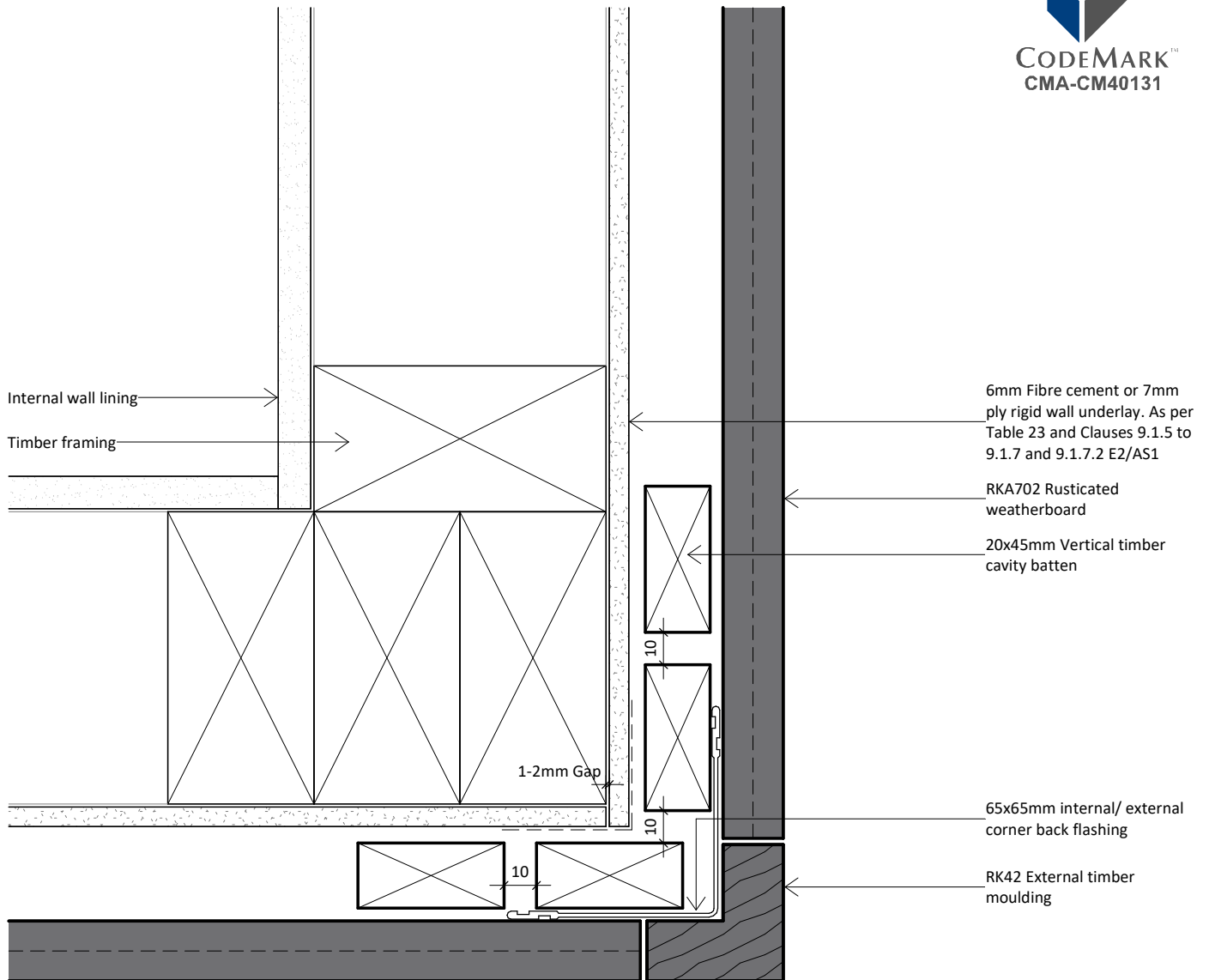
Christchurch Branch:
T: +64 3 349 3316
F: +64 3 349 3317
15 Edmonton Road
Hornby, Christchurch 8042

Title **Internal Corner RK41
Detail - Option 1**

Drawing **RKR-RU-11**

Scale 1 : 2 @ A4 Date 02.04.2019

1. Scope as per Clauses 1.0 and 9.4 E2/AS1
2. Profiles as per NZS 3617 Branz Bulletin 411
3. Fixings as per Table 24 E2/AS1
4. Compatibility of materials as per Tables 20-22 E2/AS1
5. Flashing as per Clause 4.0 E2/AS1
6. Rigid and flexible underlay as per Table 23 and Clauses 9.1.5 to 9.1.7 E2/AS1 or proprietary approved alternative
7. All weatherboards to be factory oiled to all faces and weathergrooves prior to installation use and maintain with Dryden products only.
8. The weatherboard system relies on the joinery meeting the requirements of NZS 4211 for the relevant building windzone or wind pressure.
9. Timber to NZBC B2 Durability B2.3.1 (b), Western Red Cedar, Larch and Truwood



www.rosenfeldkidson.co.nz

Postal address: PO Box 621,
Shortland Street, Auckland 1140

Auckland Branch:
T: +64 9 573 0503
F: +64 9 573 0504
513 Mt Wellington Highway
Mt Wellington, Auckland 1060

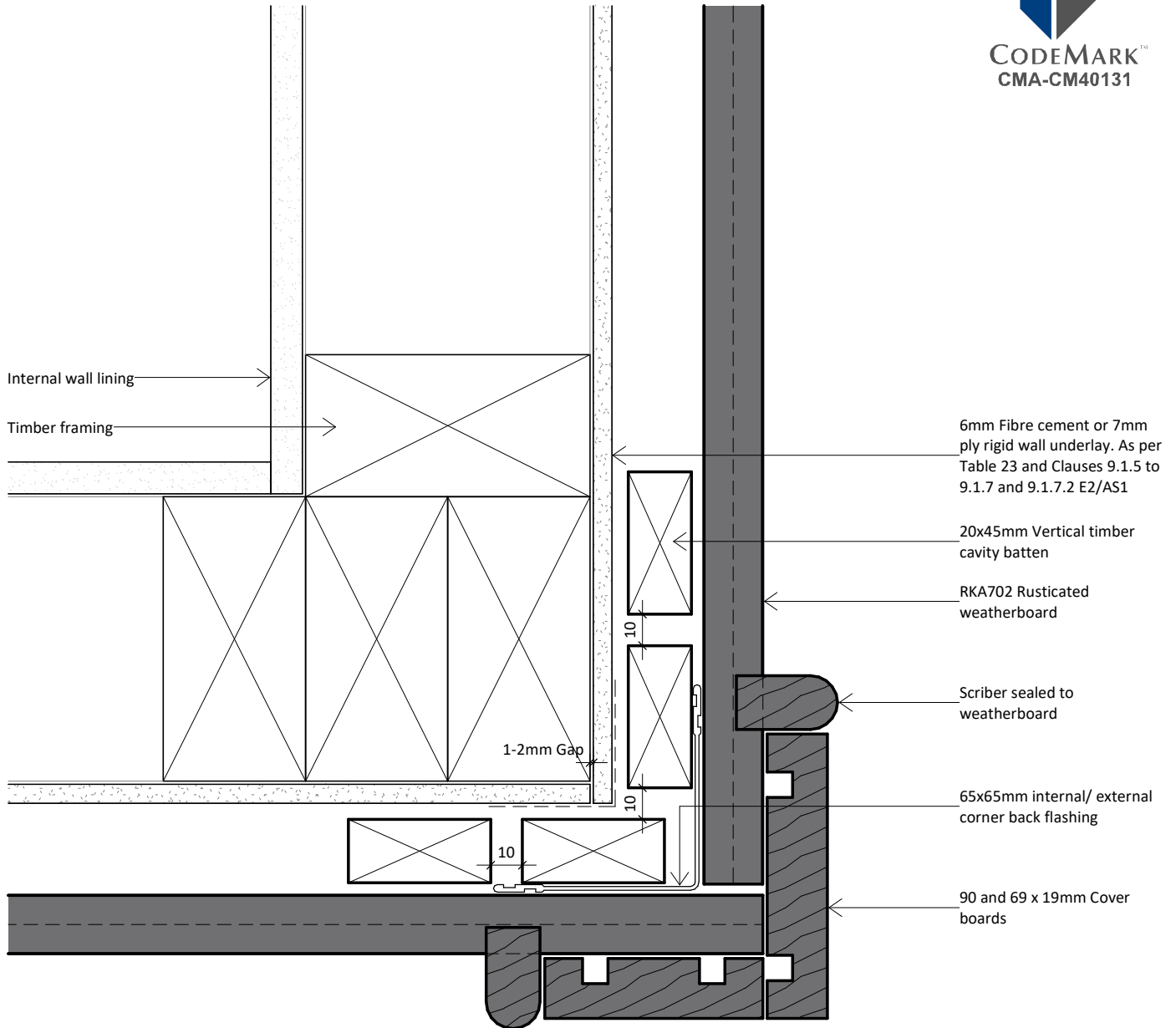
Christchurch Branch:
T: +64 3 349 3316
F: +64 3 349 3317
15 Edmonton Road
Hornby, Christchurch 8042

Title **External Corner RK42
Detail - Option 1**

Drawing **RKR-RU-21**

Scale 1 : 2 @ A4 Date 02.04.2019

1. Scope as per Clauses 1.0 and 9.4 E2/AS1
2. Profiles as per NZS 3617 Branz Bulletin 411
3. Fixings as per Table 24 E2/AS1
4. Compatibility of materials as per Tables 20-22 E2/AS1
5. Flashing as per Clause 4.0 E2/AS1
6. Rigid and flexible underlay as per Table 23 and Clauses 9.1.5 to 9.1.7 E2/AS1 or proprietary approved alternative
7. All weatherboards to be factory oiled to all faces and weathergrooves prior to installation use and maintain with Dryden products only.
8. The weatherboard system relies on the joinery meeting the requirements of NZS 4211 for the relevant building windzone or wind pressure.
9. Timber to NZBC B2 Durability B2.3.1 (b), Western Red Cedar, Larch and Truwood



www.rosenfeldkidson.co.nz

Postal address: PO Box 621,
Shortland Street, Auckland 1140

Auckland Branch:
T: +64 9 573 0503
F: +64 9 573 0504
513 Mt Wellington Highway
Mt Wellington, Auckland 1060

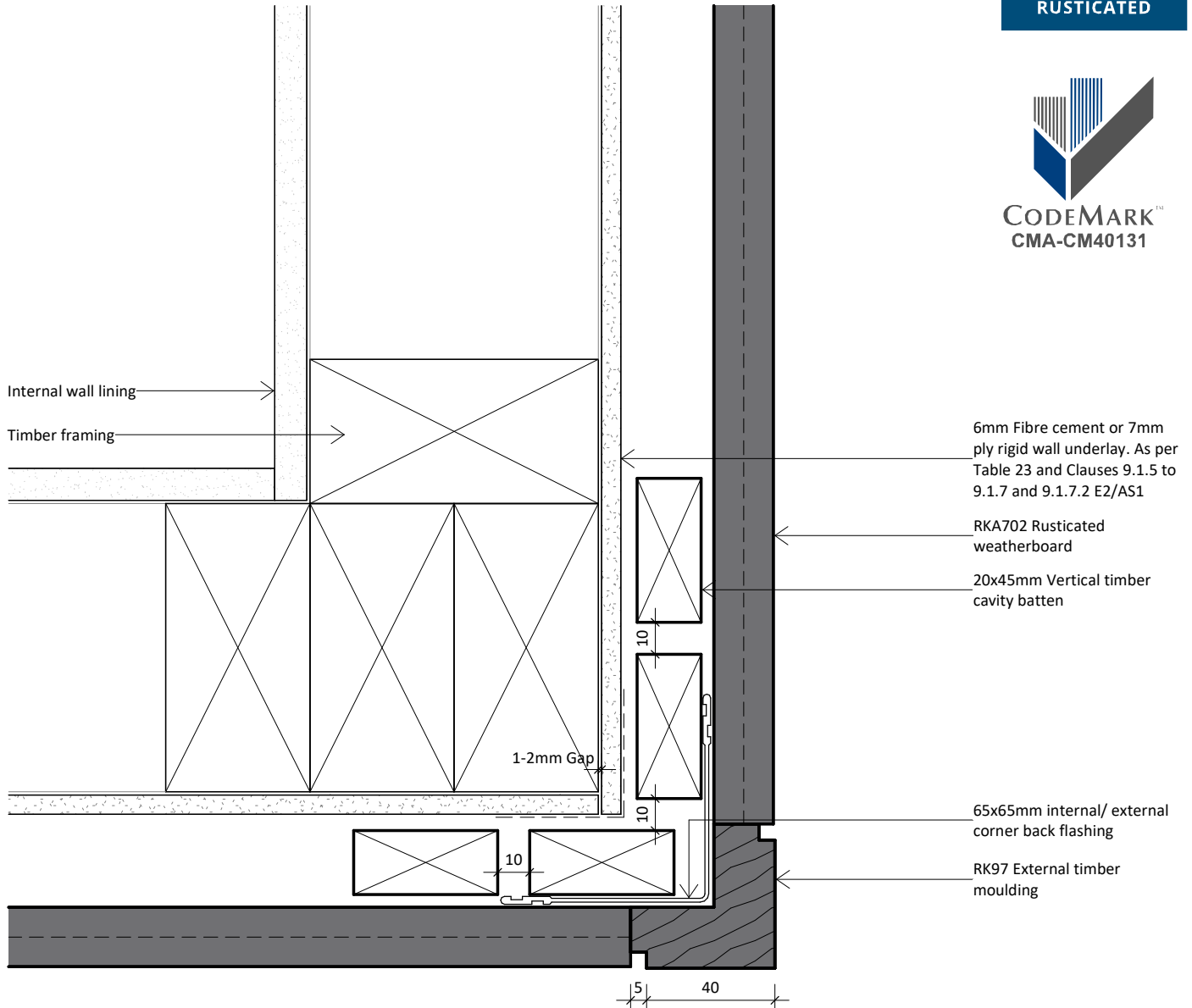
Christchurch Branch:
T: +64 3 349 3316
F: +64 3 349 3317
15 Edmonton Road
Hornby, Christchurch 8042

Title **External Corner Detail -
Option 2**

Drawing **RKR-RU-22**

Scale 1 : 2 @ A4 Date 02.04.2019

1. Scope as per Clauses 1.0 and 9.4 E2/AS1
2. Profiles as per NZS 3617 Branz Bulletin 411
3. Fixings as per Table 24 E2/AS1
4. Compatibility of materials as per Tables 20-22 E2/AS1
5. Flashing as per Clause 4.0 E2/AS1
6. Rigid and flexible underlay as per Table 23 and Clauses 9.1.5 to 9.1.7 E2/AS1 or proprietary approved alternative
7. All weatherboards to be factory oiled to all faces and weathergrooves prior to installation use and maintain with Dryden products only.
8. The weatherboard system relies on the joinery meeting the requirements of NZS 4211 for the relevant building windzone or wind pressure.
9. Timber to NZBC B2 Durability B2.3.1 (b), Western Red Cedar, Larch and Truwood



interactive assembly instructions available
<http://wksp.nz/rk-hrw-rkru23>



get WorkingSpec from
 Apple App Store or Google Play



www.rosenfeldkidson.co.nz

Postal address: PO Box 621,
 Shortland Street, Auckland 1140

Auckland Branch:
 T: +64 9 573 0503
 F: +64 9 573 0504
 513 Mt Wellington Highway
 Mt Wellington, Auckland 1060

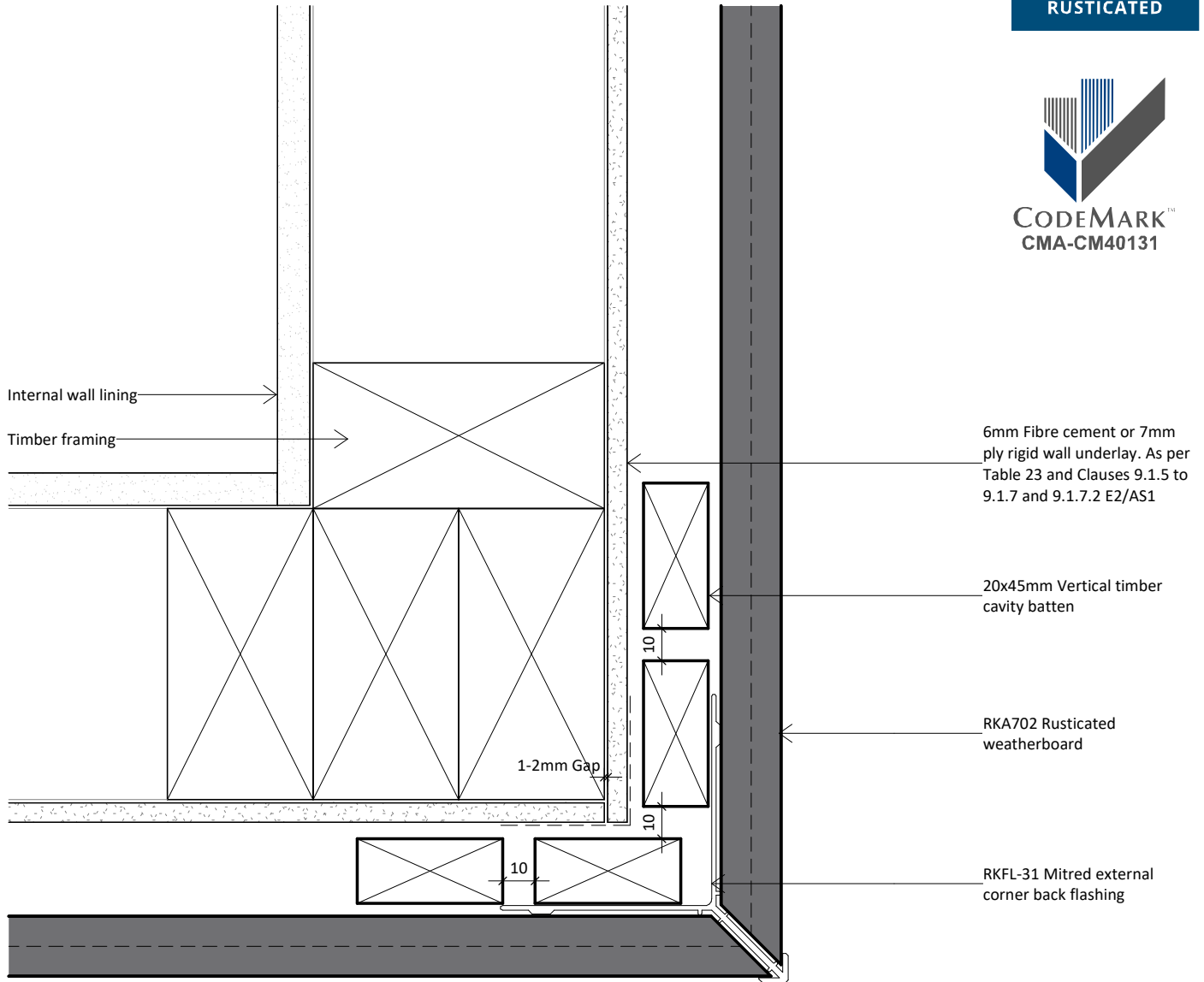
Christchurch Branch:
 T: +64 3 349 3316
 F: +64 3 349 3317
 15 Edmonton Road
 Hornby, Christchurch 8042

Title **External Corner RK97
 Detail - Option 3**

Drawing **RKR-RU-23**

Scale 1 : 2 @ A4 Date 02.04.2019

1. Scope as per Clauses 1.0 and 9.4 E2/AS1
2. Profiles as per NZS 3617 Branz Bulletin 411
3. Fixings as per Table 24 E2/AS1
4. Compatibility of materials as per Tables 20-22 E2/AS1
5. Flashing as per Clause 4.0 E2/AS1
6. Rigid and flexible underlay as per Table 23 and Clauses 9.1.5 to 9.1.7 E2/AS1 or proprietary approved alternative
7. All weatherboards to be factory oiled to all faces and weathergrooves prior to installation use and maintain with Dryden products only.
8. The weatherboard system relies on the joinery meeting the requirements of NZS 4211 for the relevant building windzone or wind pressure.
9. Timber to NZBC B2 Durability B2.3.1 (b), Western Red Cedar, Larch and Truwood



interactive assembly instructions available
<http://wksp.nz/rk-hrw-rkru25>



get WorkingSpec from Apple App Store or Google Play



www.rosenfeldkidson.co.nz

Postal address: PO Box 621,
Shortland Street, Auckland 1140

Auckland Branch:
 T: +64 9 573 0503
 F: +64 9 573 0504
 513 Mt Wellington Highway
 Mt Wellington, Auckland 1060

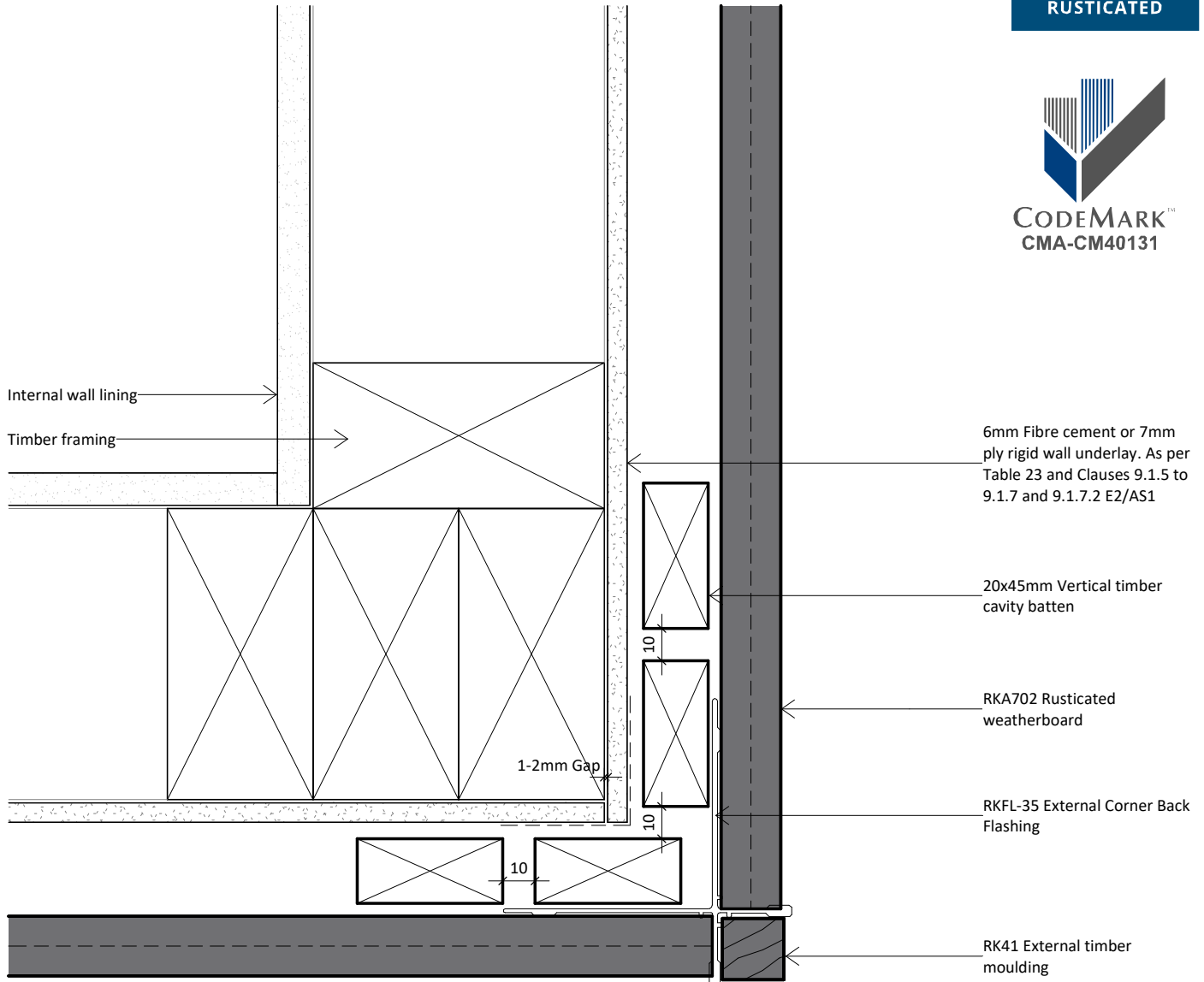
Christchurch Branch:
 T: +64 3 349 3316
 F: +64 3 349 3317
 15 Edmonton Road
 Hornby, Christchurch 8042

Title **External Corner Detail
Option 5**

Drawing **RKR-RU-25**

Scale 1 : 2 @ A4 Date 02.04.2019

1. Scope as per Clauses 1.0 and 9.4 E2/AS1
2. Profiles as per NZS 3617 Branz Bulletin 411
3. Fixings as per Table 24 E2/AS1
4. Compatibility of materials as per Tables 20-22 E2/AS1
5. Flashing as per Clause 4.0 E2/AS1
6. Rigid and flexible underlay as per Table 23 and Clauses 9.1.5 to 9.1.7 E2/AS1 or proprietary approved alternative
7. All weatherboards to be factory oiled to all faces and weathergrooves prior to installation use and maintain with Dryden products only.
8. The weatherboard system relies on the joinery meeting the requirements of NZS 4211 for the relevant building windzone or wind pressure.
9. Timber to NZBC B2 Durability B2.3.1 (b), Western Red Cedar, Larch and Truwood



interactive assembly instructions available
<http://wksp.nz/rk-hrw-rkru26>



get WorkingSpec from Apple App Store or Google Play



www.rosenfeldkidson.co.nz

Postal address: PO Box 621,
Shortland Street, Auckland 1140

Auckland Branch:
 T: +64 9 573 0503
 F: +64 9 573 0504
 513 Mt Wellington Highway
 Mt Wellington, Auckland 1060

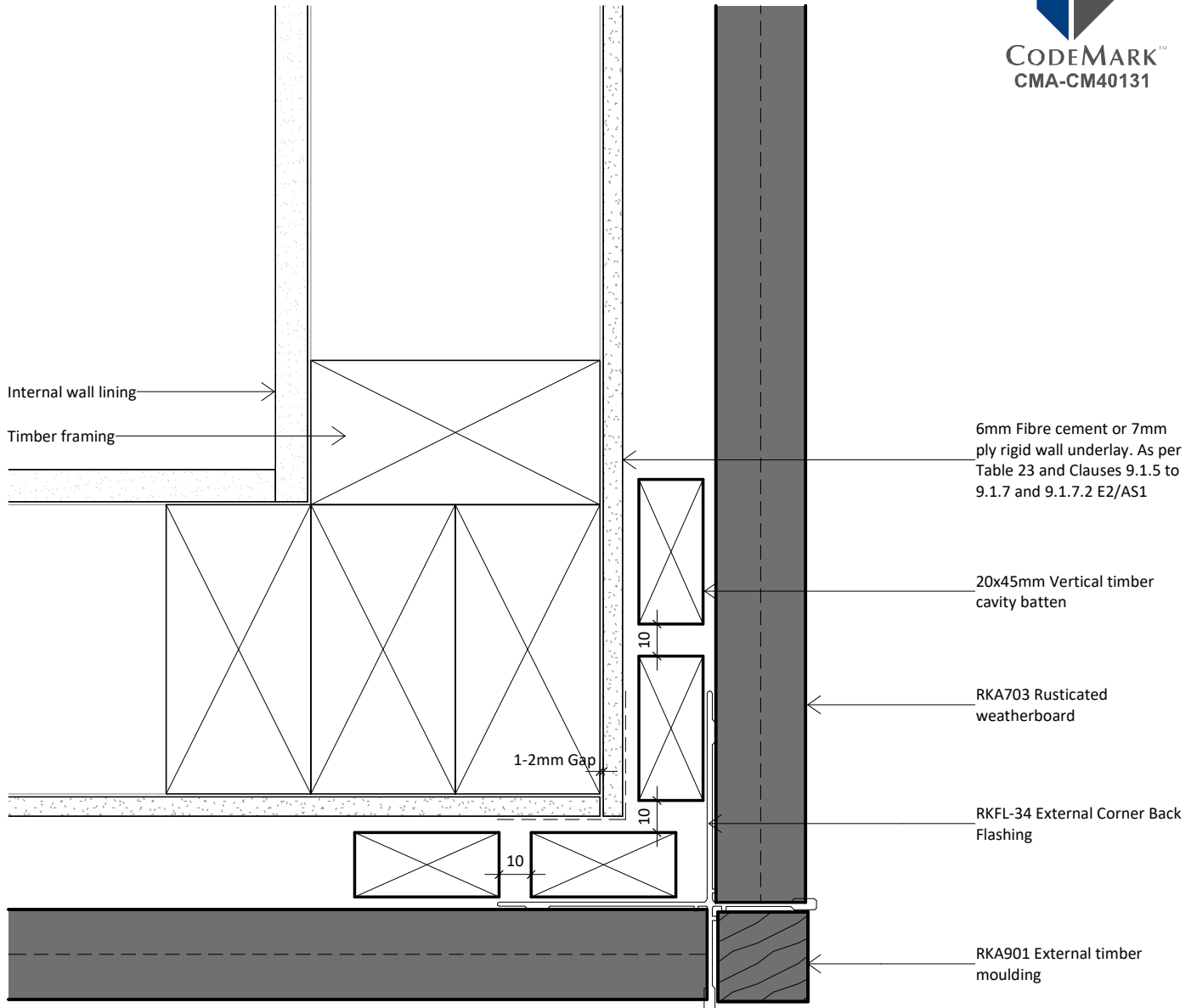
Christchurch Branch:
 T: +64 3 349 3316
 F: +64 3 349 3317
 15 Edmonton Road
 Hornby, Christchurch 8042

Title **External Corner Detail
Option 6**

Drawing **RKR-RU-26**

Scale 1 : 2 @ A4 Date 02.04.2019

1. Scope as per Clauses 1.0 and 9.4 E2/AS1
2. Profiles as per NZS 3617 Branz Bulletin 411
3. Fixings as per Table 24 E2/AS1
4. Compatibility of materials as per Tables 20-22 E2/AS1
5. Flashing as per Clause 4.0 E2/AS1
6. Rigid and flexible underlay as per Table 23 and Clauses 9.1.5 to 9.1.7 E2/AS1 or proprietary approved alternative
7. All weatherboards to be factory oiled to all faces and weathergrooves prior to installation use and maintain with Dryden products only.
8. The weatherboard system relies on the joinery meeting the requirements of NZS 4211 for the relevant building windzone or wind pressure.
9. Timber to NZBC B2 Durability B2.3.1 (b), Western Red Cedar, Larch and Truwood



www.rosenfeldkidson.co.nz

Postal address: PO Box 621,
Shortland Street, Auckland 1140

Auckland Branch:
T: +64 9 573 0503
F: +64 9 573 0504
513 Mt Wellington Highway
Mt Wellington, Auckland 1060

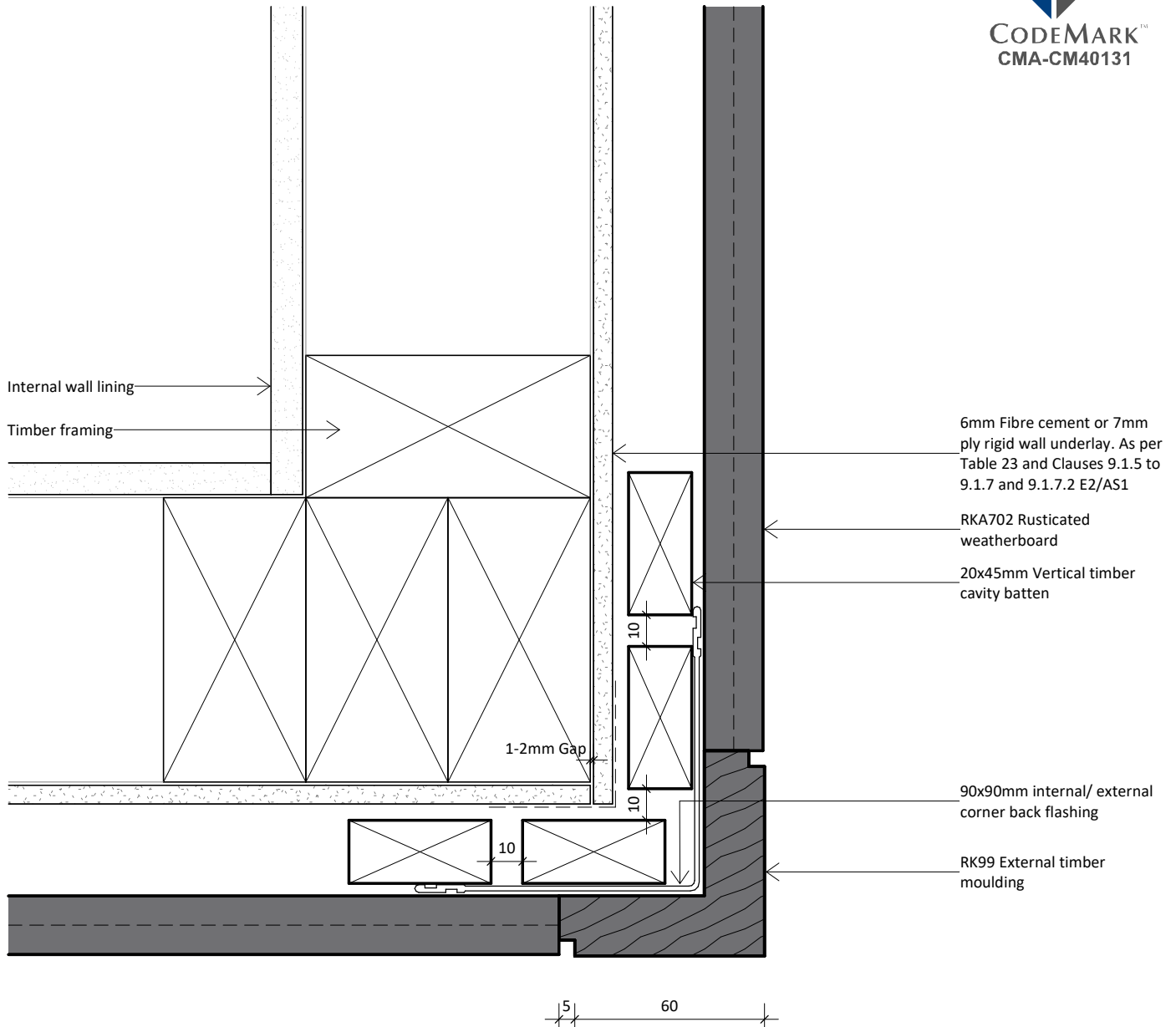
Christchurch Branch:
T: +64 3 349 3316
F: +64 3 349 3317
15 Edmonton Road
Hornby, Christchurch 8042

Title **External Corner Detail
Option 7**

Drawing **RKR-RU-27**

Scale 1 : 2 @ A4 Date 02.04.2019

1. Scope as per Clauses 1.0 and 9.4 E2/AS1
2. Profiles as per NZS 3617 Branz Bulletin 411
3. Fixings as per Table 24 E2/AS1
4. Compatibility of materials as per Tables 20-22 E2/AS1
5. Flashing as per Clause 4.0 E2/AS1
6. Rigid and flexible underlay as per Table 23 and Clauses 9.1.5 to 9.1.7 E2/AS1 or proprietary approved alternative
7. All weatherboards to be factory oiled to all faces and weathergrooves prior to installation use and maintain with Dryden products only.
8. The weatherboard system relies on the joinery meeting the requirements of NZS 4211 for the relevant building windzone or wind pressure.
9. Timber to NZBC B2 Durability B2.3.1 (b), Western Red Cedar, Larch and Truwood



www.rosenfeldkidson.co.nz

Postal address: PO Box 621,
Shortland Street, Auckland 1140

Auckland Branch:
T: +64 9 573 0503
F: +64 9 573 0504
513 Mt Wellington Highway
Mt Wellington, Auckland 1060

Christchurch Branch:
T: +64 3 349 3316
F: +64 3 349 3317
15 Edmonton Road
Hornby, Christchurch 8042

Title **External Corner Detail - Option 8**

Drawing **RKR-RU-28**

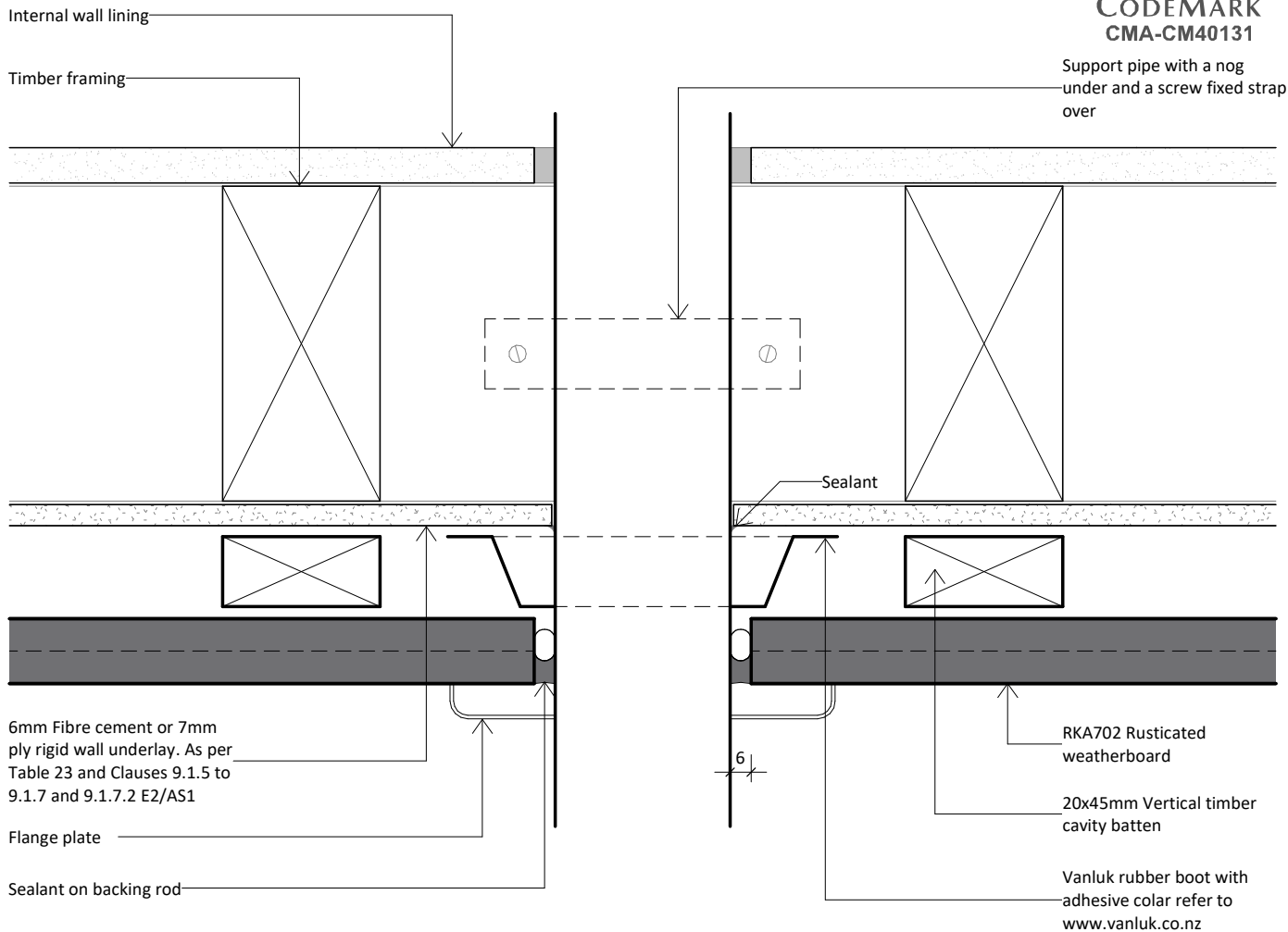
Scale 1 : 2 @ A4 Date 02.04.2019

1. Scope as per Clauses 1.0 and 9.4 E2/AS1
2. Profiles as per NZS 3617 Branz Bulletin 411
3. Fixings as per Table 24 E2/AS1
4. Compatibility of materials as per Tables 20-22 E2/AS1
5. Flashing as per Clause 4.0 E2/AS1
6. Rigid and flexible underlay as per Table 23 and Clauses 9.1.5 to 9.1.7 E2/AS1 or proprietary approved alternative
7. All weatherboards to be factory oiled to all faces and weathergrooves prior to installation use and maintain with Dryden products only.
8. The weatherboard system relies on the joinery meeting the requirements of NZS 4211 for the relevant building windzone or wind pressure.
9. Timber to NZBC B2 Durability B2.3.1 (b), Western Red Cedar, Larch and Truwood



CODEMARK™
CMA-CM40131

Support pipe with a nog under and a screw fixed strap over



www.rosenfeldkidson.co.nz

Postal address: PO Box 621,
Shortland Street, Auckland 1140

Auckland Branch:
T: +64 9 573 0503
F: +64 9 573 0504
513 Mt Wellington Highway
Mt Wellington, Auckland 1060

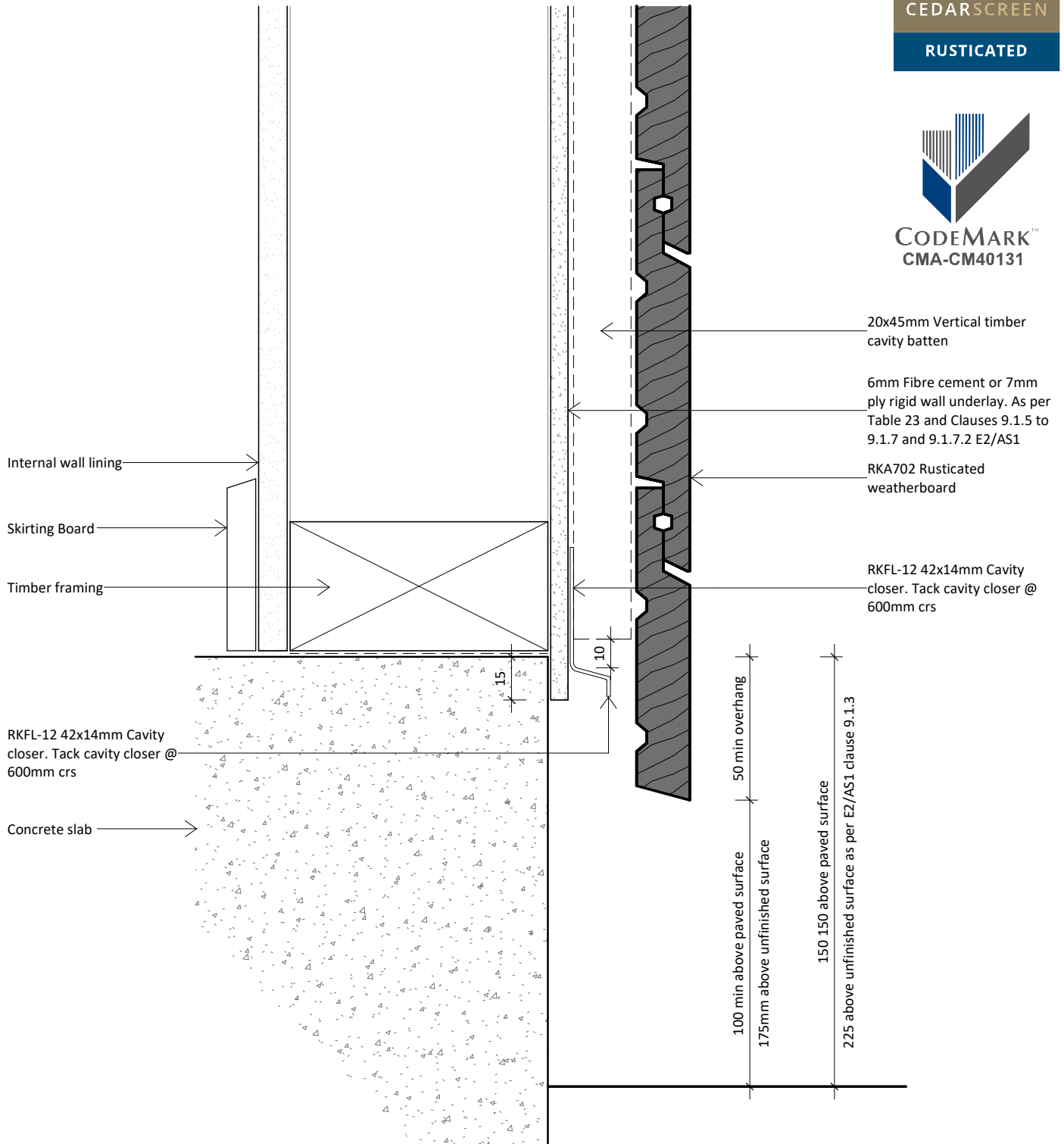
Christchurch Branch:
T: +64 3 349 3316
F: +64 3 349 3317
15 Edmonton Road
Hornby, Christchurch 8042

Title **Pipe Penetration Detail**

Drawing
RKR-RU-31

Scale 1 : 2 @ A4 Date 02.04.2019

1. Scope as per Clauses 1.0 and 9.4 E2/AS1
2. Profiles as per NZS 3617 Branz Bulletin 411
3. Fixings as per Table 24 E2/AS1
4. Compatibility of materials as per Tables 20-22 E2/AS1
5. Flashing as per Clause 4.0 E2/AS1
6. Rigid and flexible underlay as per Table 23 and Clauses 9.1.5 to 9.1.7 E2/AS1 or proprietary approved alternative
7. All weatherboards to be factory oiled to all faces and weathergrooves prior to installation use and maintain with Dryden products only.
8. The weatherboard system relies on the joinery meeting the requirements of NZS 4211 for the relevant building windzone or wind pressure.
9. Timber to NZBC B2 Durability B2.3.1 (b), Western Red Cedar, Larch and Truwood



www.rosenfeldkidson.co.nz

Postal address: PO Box 621,
Shortland Street, Auckland 1140

Auckland Branch:
T: +64 9 573 0503
F: +64 9 573 0504
513 Mt Wellington Highway
Mt Wellington, Auckland 1060

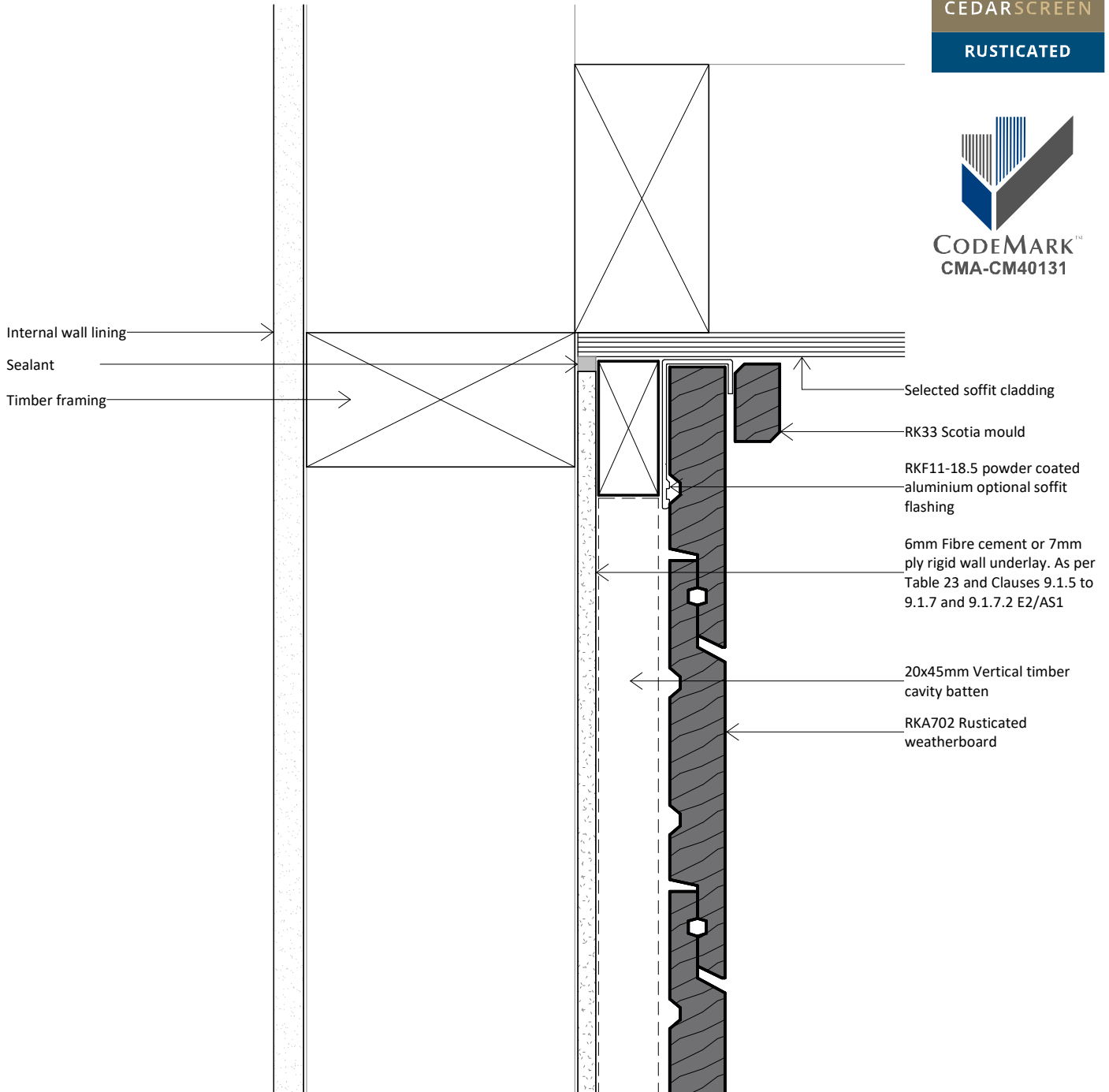
Christchurch Branch:
T: +64 3 349 3316
F: +64 3 349 3317
15 Edmonton Road
Hornby, Christchurch 8042

Title **Bottom Plate Detail**

Drawing **RKR-RU-41**

Scale 1 : 2 @ A4 Date 02.04.2019

1. Scope as per Clauses 1.0 and 9.4 E2/AS1
2. Profiles as per NZS 3617 Branz Bulletin 411
3. Fixings as per Table 24 E2/AS1
4. Compatibility of materials as per Tables 20-22 E2/AS1
5. Flashing as per Clause 4.0 E2/AS1
6. Rigid and flexible underlay as per Table 23 and Clauses 9.1.5 to 9.1.7 E2/AS1 or proprietary approved alternative
7. All weatherboards to be factory oiled to all faces and weathergrooves prior to installation use and maintain with Dryden products only.
8. The weatherboard system relies on the joinery meeting the requirements of NZS 4211 for the relevant building windzone or wind pressure.
9. Timber to NZBC B2 Durability B2.3.1 (b), Western Red Cedar, Larch and Truwood



www.rosenfeldkidson.co.nz

Postal address: PO Box 621,
Shortland Street, Auckland 1140

Auckland Branch:
T: +64 9 573 0503
F: +64 9 573 0504
513 Mt Wellington Highway
Mt Wellington, Auckland 1060

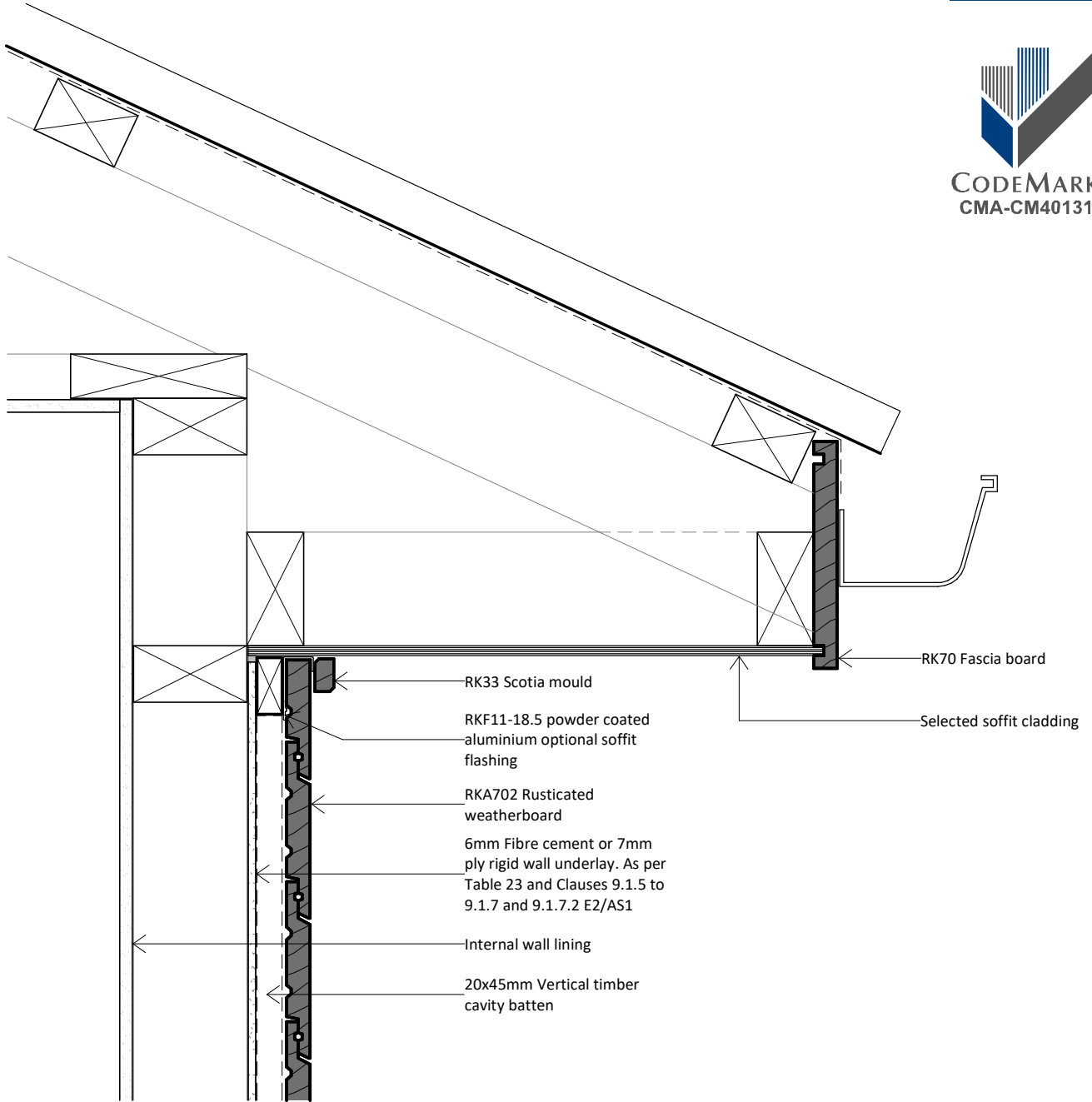
Christchurch Branch:
T: +64 3 349 3316
F: +64 3 349 3317
15 Edmonton Road
Hornby, Christchurch 8042

Title **Top Plate to Soffit Detail**

Drawing
RKR-RU-42

Scale 1 : 2 @ A4 Date 02.04.2019

1. Scope as per Clauses 1.0 and 9.4 E2/AS1
2. Profiles as per NZS 3617 Branz Bulletin 411
3. Fixings as per Table 24 E2/AS1
4. Compatibility of materials as per Tables 20-22 E2/AS1
5. Flashing as per Clause 4.0 E2/AS1
6. Rigid and flexible underlay as per Table 23 and Clauses 9.1.5 to 9.1.7 E2/AS1 or proprietary approved alternative
7. All weatherboards to be factory oiled to all faces and weathergrooves prior to installation use and maintain with Dryden products only.
8. The weatherboard system relies on the joinery meeting the requirements of NZS 4211 for the relevant building windzone or wind pressure.
9. Timber to NZBC B2 Durability B2.3.1 (b), Western Red Cedar, Larch and Truwood



www.rosenfeldkidson.co.nz

Postal address: PO Box 621,
Shortland Street, Auckland 1140

Auckland Branch:
T: +64 9 573 0503
F: +64 9 573 0504
513 Mt Wellington Highway
Mt Wellington, Auckland 1060

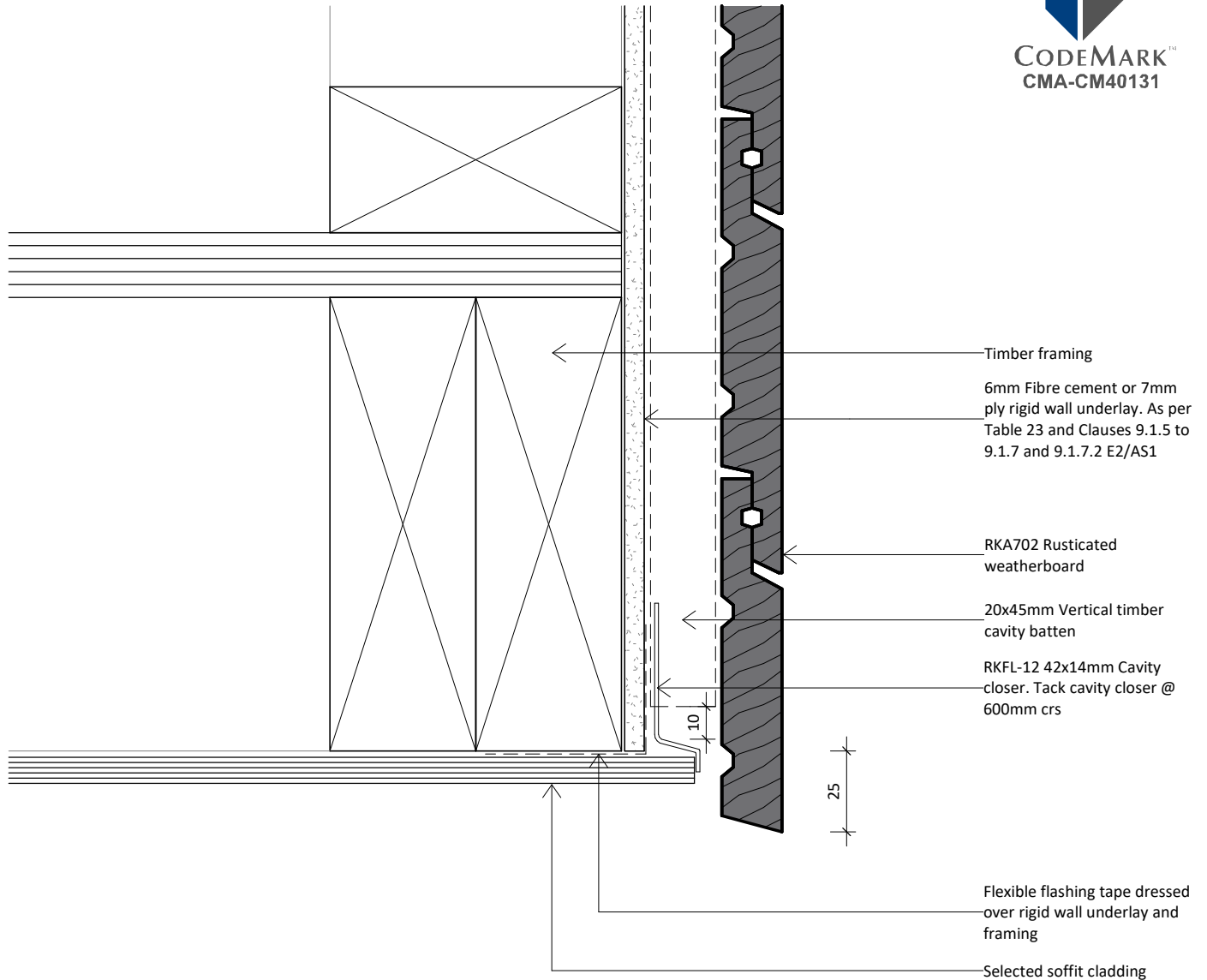
Christchurch Branch:
T: +64 3 349 3316
F: +64 3 349 3317
15 Edmonton Road
Hornby, Christchurch 8042

Title **Barge Detail**

Drawing
RKR-RU-43

Scale 1 : 5 @ A4 Date 02.04.2019

1. Scope as per Clauses 1.0 and 9.4 E2/AS1
2. Profiles as per NZS 3617 Branz Bulletin 411
3. Fixings as per Table 24 E2/AS1
4. Compatibility of materials as per Tables 20-22 E2/AS1
5. Flashing as per Clause 4.0 E2/AS1
6. Rigid and flexible underlay as per Table 23 and Clauses 9.1.5 to 9.1.7 E2/AS1 or proprietary approved alternative
7. All weatherboards to be factory oiled to all faces and weathergrooves prior to installation use and maintain with Dryden products only.
8. The weatherboard system relies on the joinery meeting the requirements of NZS 4211 for the relevant building windzone or wind pressure.
9. Timber to NZBC B2 Durability B2.3.1 (b), Western Red Cedar, Larch and Truwood



www.rosenfeldkidson.co.nz

Postal address: PO Box 621,
Shortland Street, Auckland 1140

Auckland Branch:
T: +64 9 573 0503
F: +64 9 573 0504
513 Mt Wellington Highway
Mt Wellington, Auckland 1060

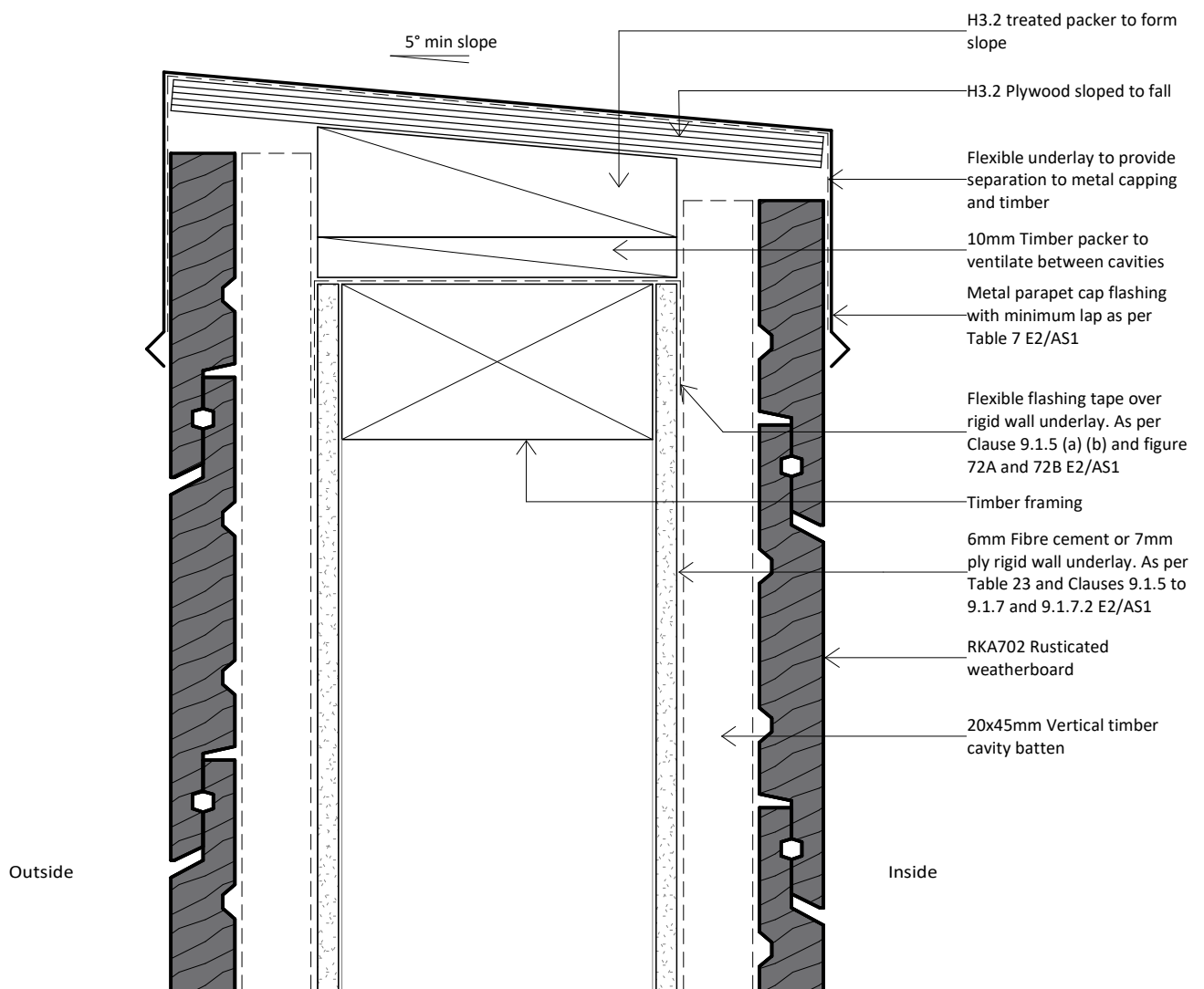
Christchurch Branch:
T: +64 3 349 3316
F: +64 3 349 3317
15 Edmonton Road
Hornby, Christchurch 8042

Title **Soffit Detail**

Drawing
RKR-RU-44

Scale 1 : 2 @ A4 Date 02.04.2019

1. Scope as per Clauses 1.0 and 9.4 E2/AS1
2. Profiles as per NZS 3617 Branz Bulletin 411
3. Fixings as per Table 24 E2/AS1
4. Compatibility of materials as per Tables 20-22 E2/AS1
5. Flashing as per Clause 4.0 E2/AS1
6. Rigid and flexible underlay as per Table 23 and Clauses 9.1.5 to 9.1.7 E2/AS1 or proprietary approved alternative
7. All weatherboards to be factory oiled to all faces and weathergrooves prior to installation use and maintain with Dryden products only.
8. The weatherboard system relies on the joinery meeting the requirements of NZS 4211 for the relevant building windzone or wind pressure.
9. Timber to NZBC B2 Durability B2.3.1 (b), Western Red Cedar, Larch and Truwood



www.rosenfeldkidson.co.nz

Postal address: PO Box 621,
Shortland Street, Auckland 1140

Auckland Branch:
T: +64 9 573 0503
F: +64 9 573 0504
513 Mt Wellington Highway
Mt Wellington, Auckland 1060

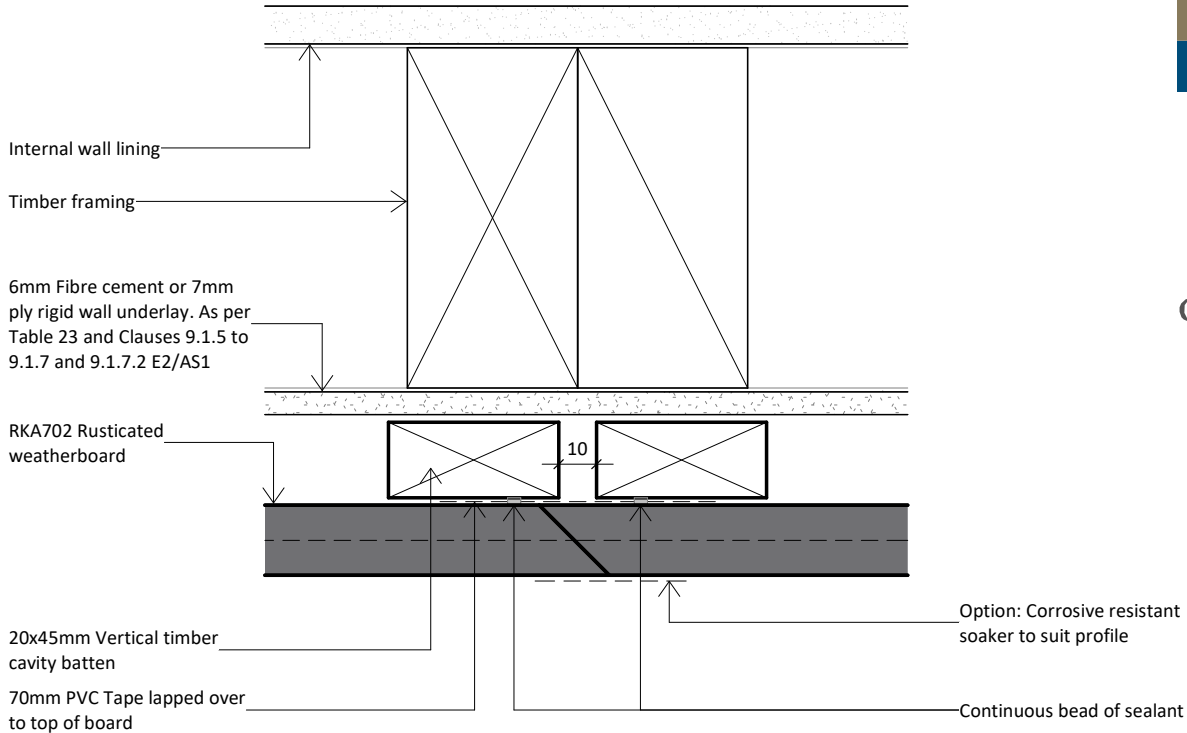
Christchurch Branch:
T: +64 3 349 3316
F: +64 3 349 3317
15 Edmonton Road
Hornby, Christchurch 8042

Title **Parapet Detail**

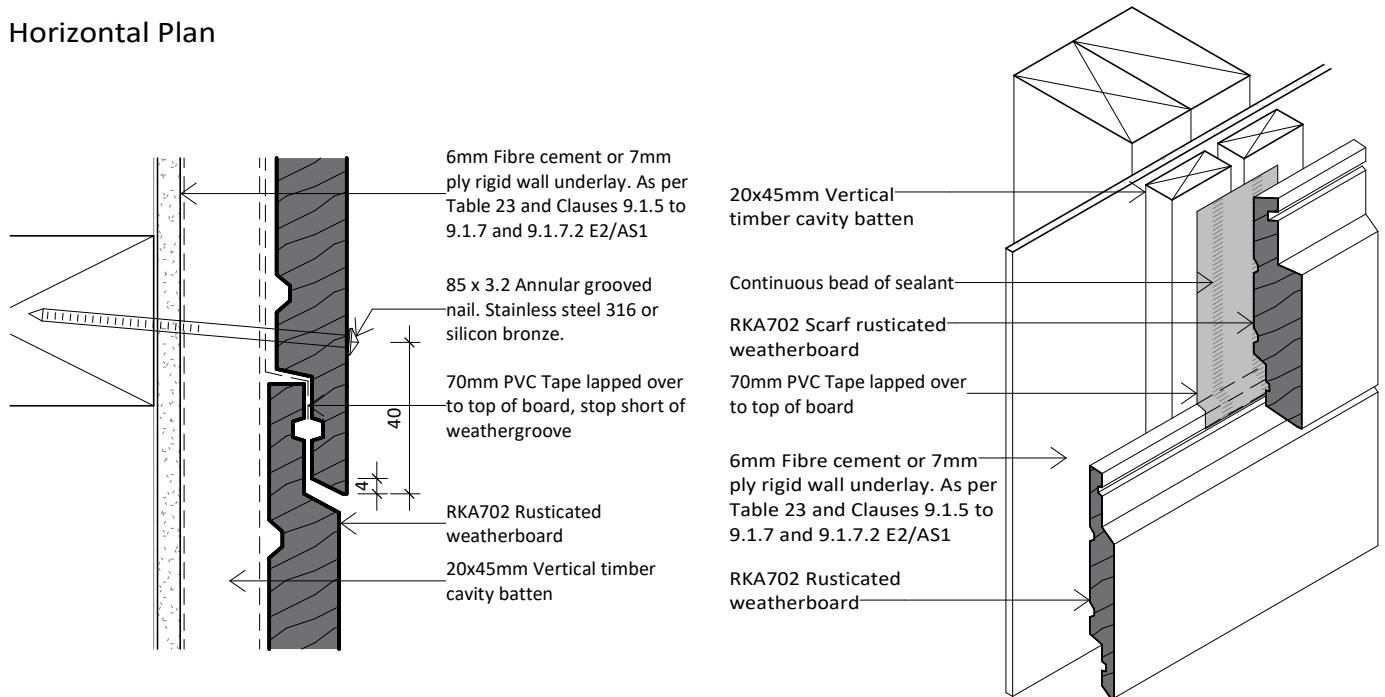
Drawing **RKR-RU-45**

Scale 1 : 2 @ A4 Date 02.04.2019

1. Scope as per Clauses 1.0 and 9.4 E2/AS1
2. Profiles as per NZS 3617 Branz Bulletin 411
3. Fixings as per Table 24 E2/AS1
4. Compatibility of materials as per Tables 20-22 E2/AS1
5. Flashing as per Clause 4.0 E2/AS1
6. Rigid and flexible underlay as per Table 23 and Clauses 9.1.5 to 9.1.7 E2/AS1 or proprietary approved alternative
7. All weatherboards to be factory oiled to all faces and weathergrooves prior to installation use and maintain with Dryden products only.
8. The weatherboard system relies on the joinery meeting the requirements of NZS 4211 for the relevant building windzone or wind pressure.
9. Timber to NZBC B2 Durability B2.3.1 (b), Western Red Cedar, Larch and Truwood



Horizontal Plan



Vertical Section



www.rosenfeldkidson.co.nz

Postal address: PO Box 621,
Shortland Street, Auckland 1140

Auckland Branch:
T: +64 9 573 0503
F: +64 9 573 0504
513 Mt Wellington Highway
Mt Wellington, Auckland 1060

Christchurch Branch:
T: +64 3 349 3316
F: +64 3 349 3317
15 Edmonton Road
Hornby, Christchurch 8042

Title **Scarf Joint Detail**

Drawing

RKR-RU-46

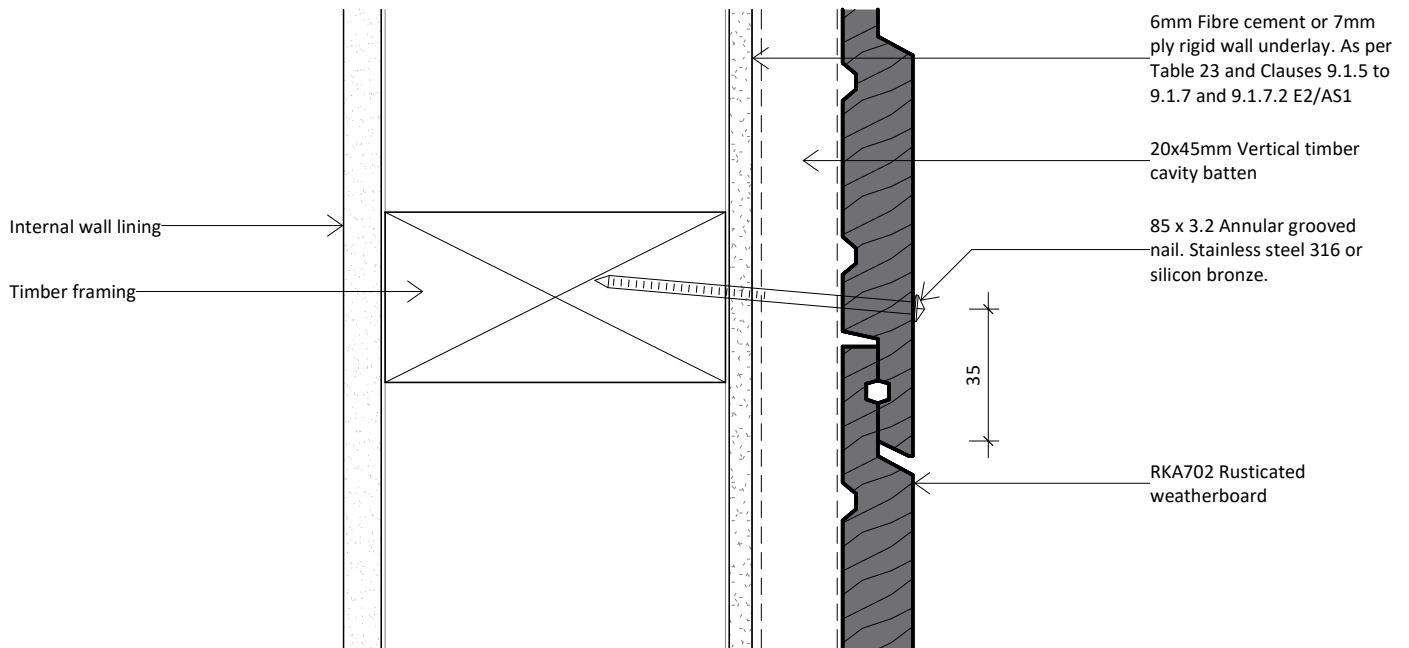
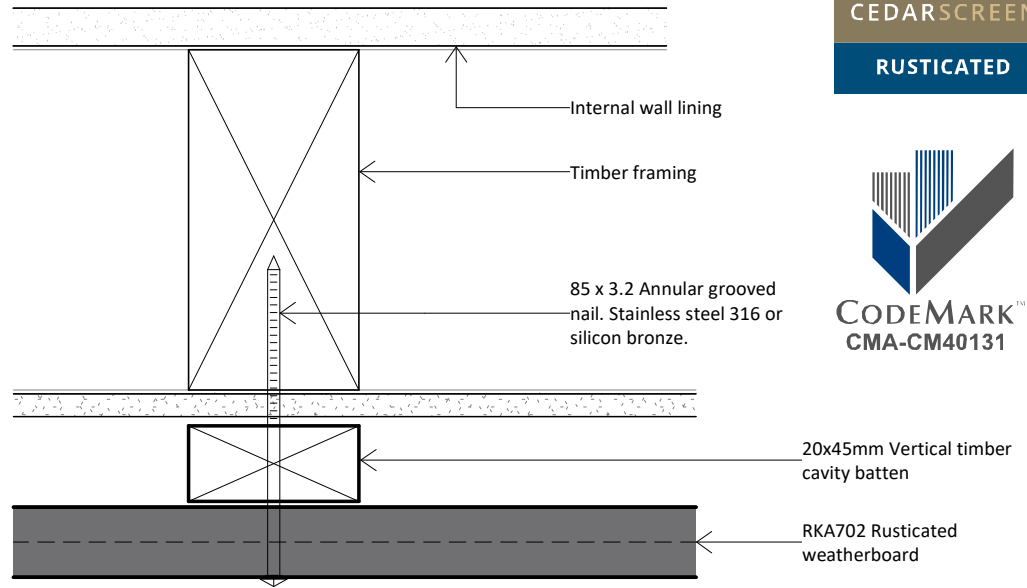
Scale 1 : 2 @ A4

Date 02.04.2019

1. Scope as per Clauses 1.0 and 9.4 E2/AS1
2. Profiles as per NZS 3617 Branz Bulletin 411
3. Fixings as per Table 24 E2/AS1
4. Compatibility of materials as per Tables 20-22 E2/AS1
5. Flashing as per Clause 4.0 E2/AS1
6. Rigid and flexible underlay as per Table 23 and Clauses 9.1.5 to 9.1.7 E2/AS1 or proprietary approved alternative
7. All weatherboards to be factory oiled to all faces and weathergrooves prior to installation use and maintain with Dryden products only.
8. The weatherboard system relies on the joinery meeting the requirements of NZS 4211 for the relevant building windzone or wind pressure.
9. Timber to NZBC B2 Durability B2.3.1 (b), Western Red Cedar, Larch and Truwood



Horizontal fixing



Vertical fixing



www.rosenfeldkidson.co.nz

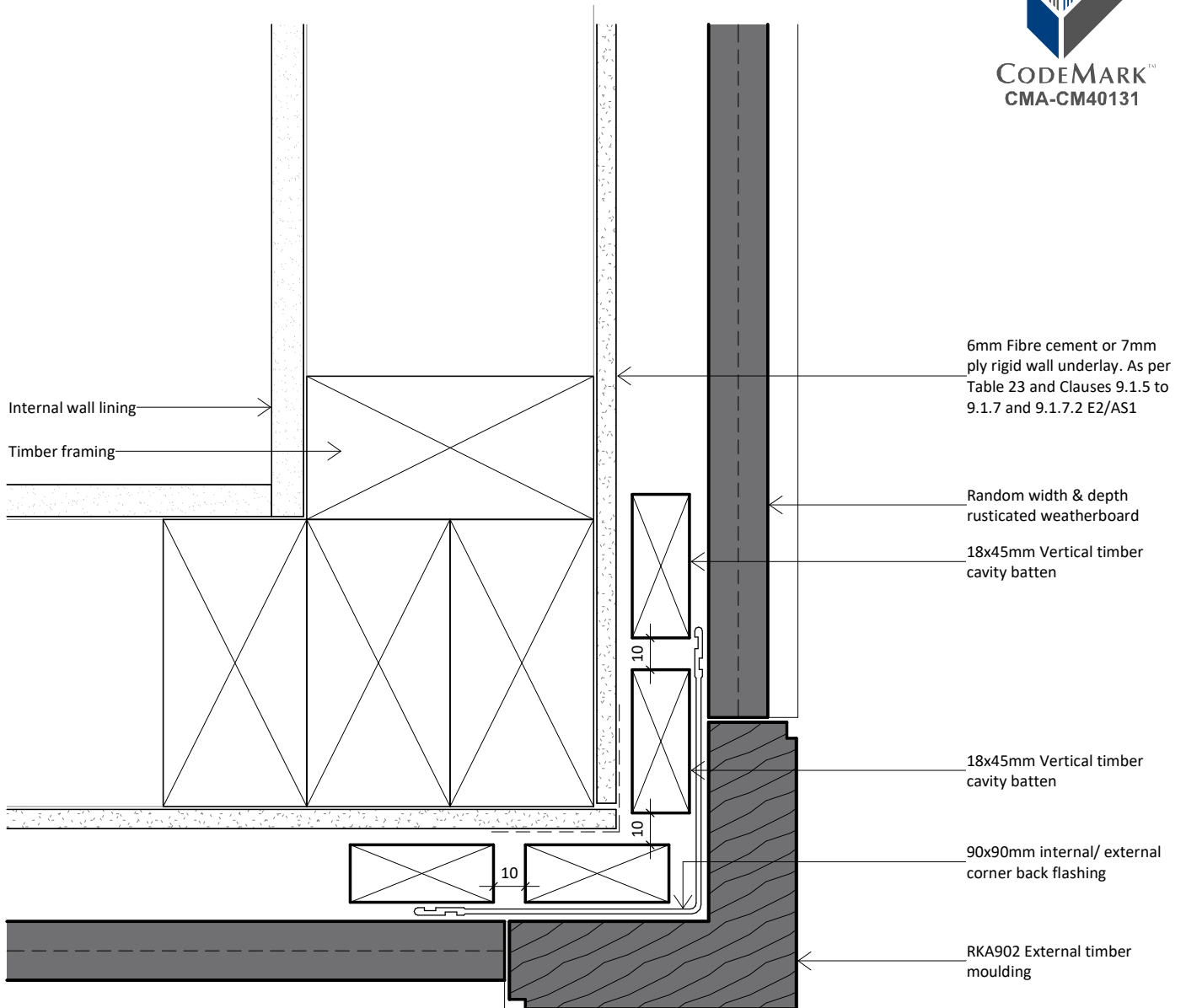
Postal address: PO Box 621,
Shortland Street, Auckland 1140

Auckland Branch:
T: +64 9 573 0503
F: +64 9 573 0504
513 Mt Wellington Highway
Mt Wellington, Auckland 1060

Christchurch Branch:
T: +64 3 349 3316
F: +64 3 349 3317
15 Edmonton Road
Hornby, Christchurch 8042

Title	Nail Fixing Detail		
Drawing	RKR-RU-47		
Scale	1 : 2 @ A4	Date	02.04.2019

1. Scope as per Clauses 1.0 and 9.4 E2/AS1
2. Profiles as per NZS 3617 Branz Bulletin 411
3. Fixings as per Table 24 E2/AS1
4. Compatibility of materials as per Tables 20-22 E2/AS1
5. Flashing as per Clause 4.0 E2/AS1
6. Rigid and flexible underlay as per Table 23 and Clauses 9.1.5 to 9.1.7 E2/AS1 or proprietary approved alternative
7. All weatherboards to be factory oiled to all faces and weathergrooves prior to installation use and maintain with Dryden products only.
8. The weatherboard system relies on the joinery meeting the requirements of NZS 4211 for the relevant building windzone or wind pressure.
9. Timber to NZBC B2 Durability B2.3.1 (b), Western Red Cedar, Larch and Truwood



www.rosenfeldkidson.co.nz

Postal address: PO Box 621,
Shortland Street, Auckland 1140

Auckland Branch:
T: +64 9 573 0503
F: +64 9 573 0504
513 Mt Wellington Highway
Mt Wellington, Auckland 1060

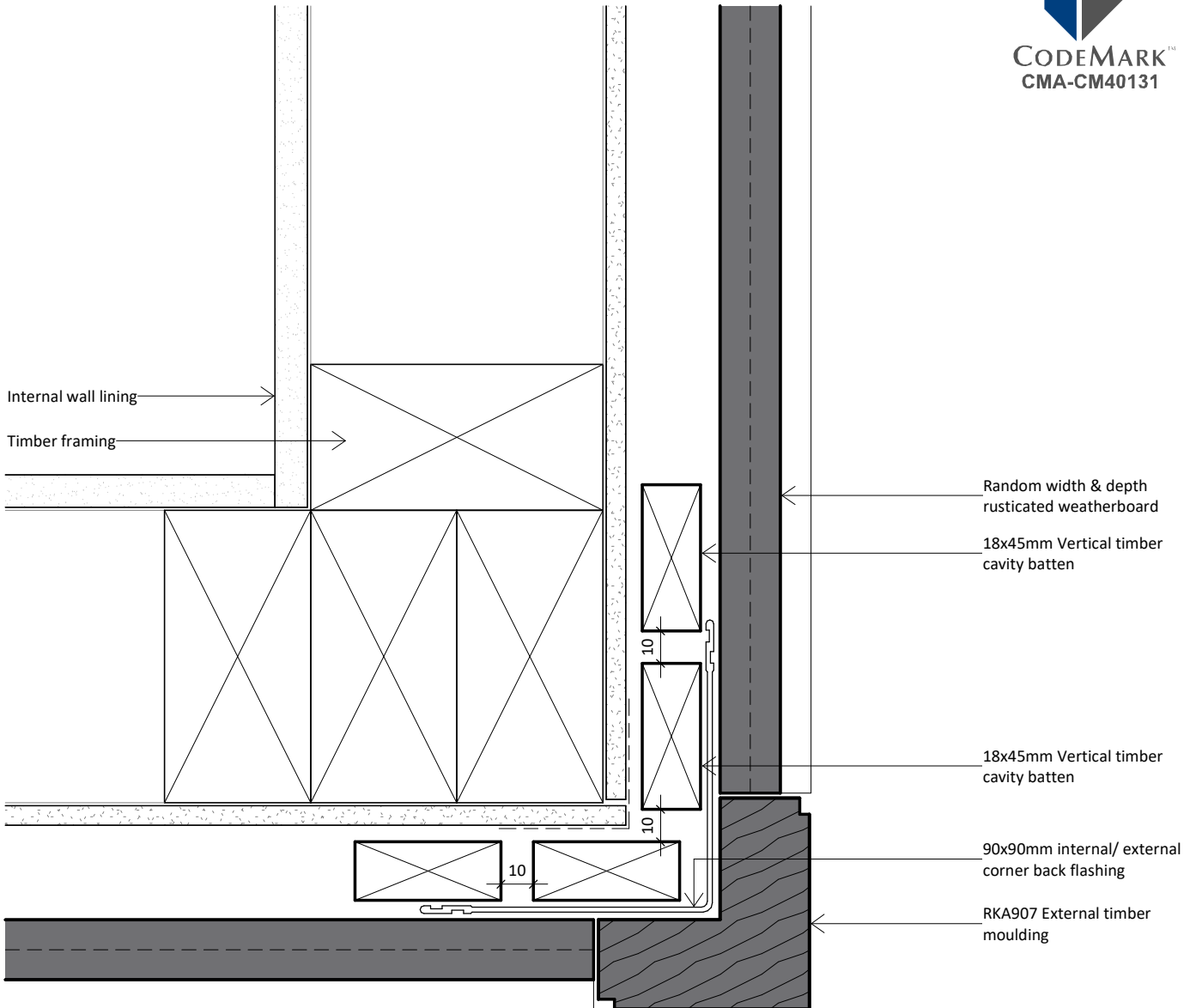
Christchurch Branch:
T: +64 3 349 3316
F: +64 3 349 3317
15 Edmonton Road
Hornby, Christchurch 8042

Title **Random W+D External
Corner Detail - Option**

Drawing **RKR-RU-94**

Scale 1 : 2 @ A4 Date 02.04.2019

1. Scope as per Clauses 1.0 and 9.4 E2/AS1
2. Profiles as per NZS 3617 Branz Bulletin 411
3. Fixings as per Table 24 E2/AS1
4. Compatibility of materials as per Tables 20-22 E2/AS1
5. Flashing as per Clause 4.0 E2/AS1
6. Rigid and flexible underlay as per Table 23 and Clauses 9.1.5 to 9.1.7 E2/AS1 or proprietary approved alternative
7. All weatherboards to be factory oiled to all faces and weathergrooves prior to installation use and maintain with Dryden products only.
8. The weatherboard system relies on the joinery meeting the requirements of NZS 4211 for the relevant building windzone or wind pressure.
9. Timber to NZBC B2 Durability B2.3.1 (b), Western Red Cedar, Larch and Truwood



www.rosenfeldkidson.co.nz

Postal address: PO Box 621,
Shortland Street, Auckland 1140

Auckland Branch:
T: +64 9 573 0503
F: +64 9 573 0504
513 Mt Wellington Highway
Mt Wellington, Auckland 1060

Christchurch Branch:
T: +64 3 349 3316
F: +64 3 349 3317
15 Edmonton Road
Hornby, Christchurch 8042

Title **Random W+D External
Corner Detail - Option**

Drawing
RKR-RU-95

Scale 1 : 2 @ A4 Date 02.04.2019