

Board & Batten Weatherboard - 20mm Cavity on Flexible Underlay

Drawing	Sheet Name	Date
Typical Details		
RKBB20-FU-00	Index	12.10.2020
RKBB20-FU-REF	Batten Setout	12.10.2020
RKBB20-BATT	RKBB 20mm Cavity Battens	12.10.2020
RKBB - FLG	RKBB Flashings	12.10.2020
RKBB-FIXINGS	RK Fixings	12.10.2020
RKA121-123	Board Setout	12.10.2020
Window Details		
RKBB20-FU-01	Aluminium Head Detail	12.10.2020
RKBB20-FU-02	Aluminium Jamb Detail	12.10.2020
RKBB20-FU-03	Aluminium Sill Detail	12.10.2020
Internal Corner Details		
RKBB20-FU-12	Internal Corner Detail	12.10.2020
External Corner Details		
RKBB20-FU-22	External Corner Detail	12.10.2020
Vertical details		
RKBB20-FU-41	Bottom Plate Detail	12.10.2020
RKBB20-FU-43	Barge Detail	12.10.2020



www.rosenfeldkidson.co.nz

Postal address: PO Box 621,
Shortland Street, Auckland 1140

Auckland Branch:
 T: +64 9 573 0503
 F: +64 9 573 0504
 513 Mt Wellington Highway
 Mt Wellington, Auckland 1060

Christchurch Branch:
 T: +64 3 349 3316
 F: +64 3 349 3317
 15 Edmonton Road
 Hornby, Christchurch 8042

Title **Index**

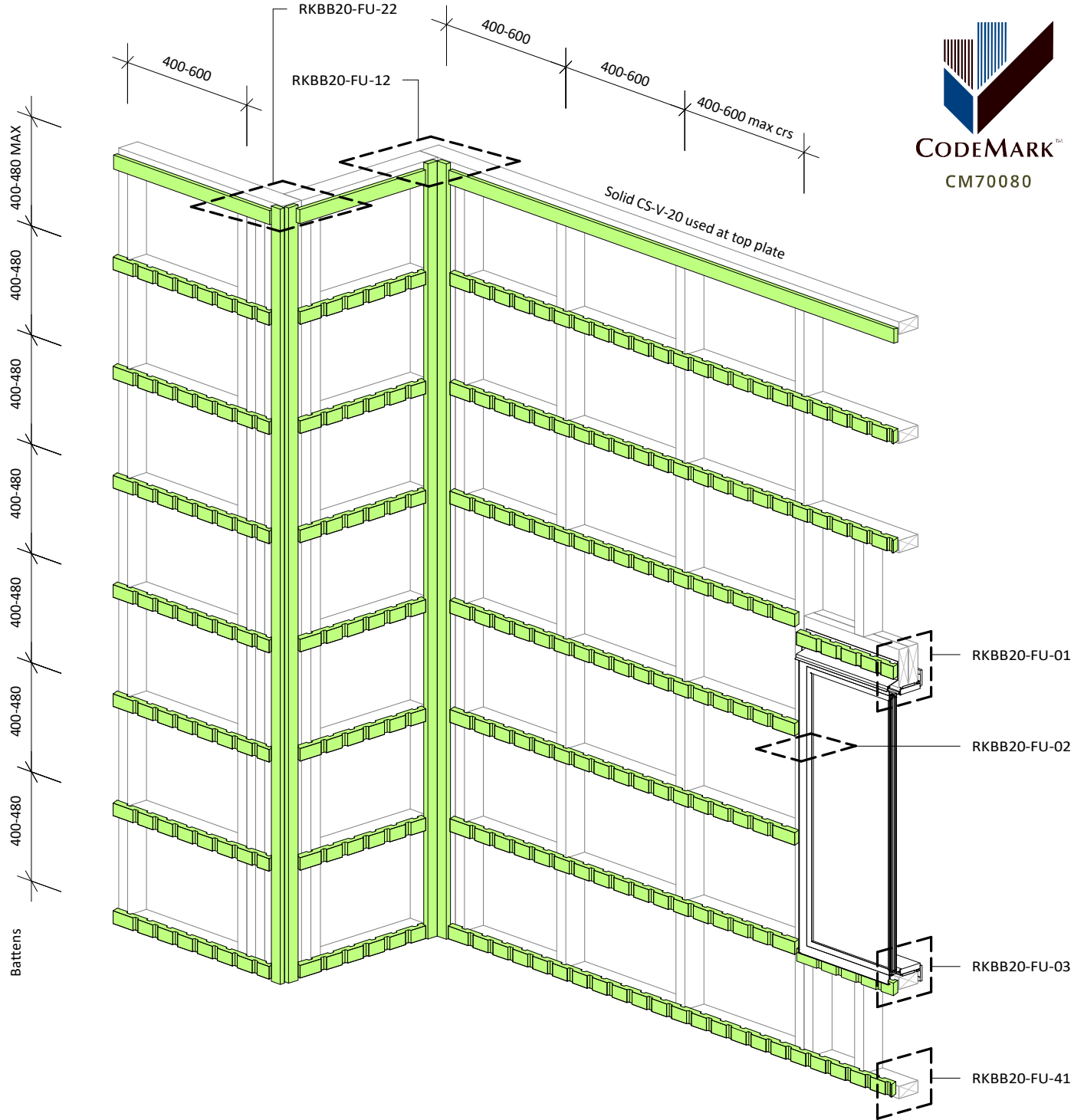
Drawing

RKBB20-FU-00

Scale @ A4

Date 12.10.2020

1. Scope as per Clauses 1.0 and 9.4 E2/AS1
2. Profiles as per NZS 3617, Branz Bulletin 411 and/or compliance achieved through in-service history, length of service not less than 15 years in all NZ environments B2/VM1 1.1.1 (a)
3. Fixings as per Table 24 E2/AS1
4. Compatibility of materials as per Tables 20-22 E2/AS1
5. Flashing as per Clause 4.0 E2/AS1
6. Rigid and flexible underlay as per Table 23 and Clauses 9.1.5 to 9.1.7 E2/AS1 or proprietary approved alternative
7. All weatherboards to be factory oiled to all faces and weathergrooves prior to installation, ensure maintenance is to manufacturers recommendations
8. The weatherboard system relies on the joinery meeting the requirements of NZS 4211 for the relevant building windzone or wind pressure
9. Timber to NZBC B2 Durability B2.3.1(b), Western Red Cedar, Larch and Truwood®
10. Timber framing to NZS 3604:2011



www.rosenfeldkidson.co.nz

Postal address: PO Box 621,
Shortland Street, Auckland 1140

Auckland Branch:
T: +64 9 573 0503
F: +64 9 573 0504
513 Mt Wellington Highway
Mt Wellington, Auckland 1060

Christchurch Branch:
T: +64 3 349 3316
F: +64 3 349 3317
15 Edmonton Road
Hornby, Christchurch 8042

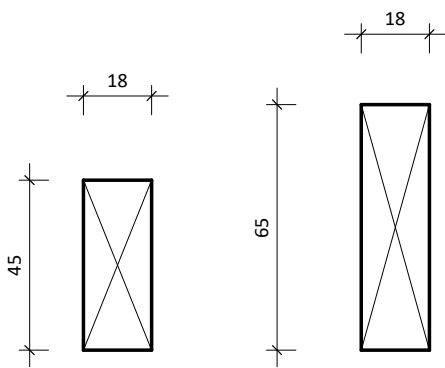
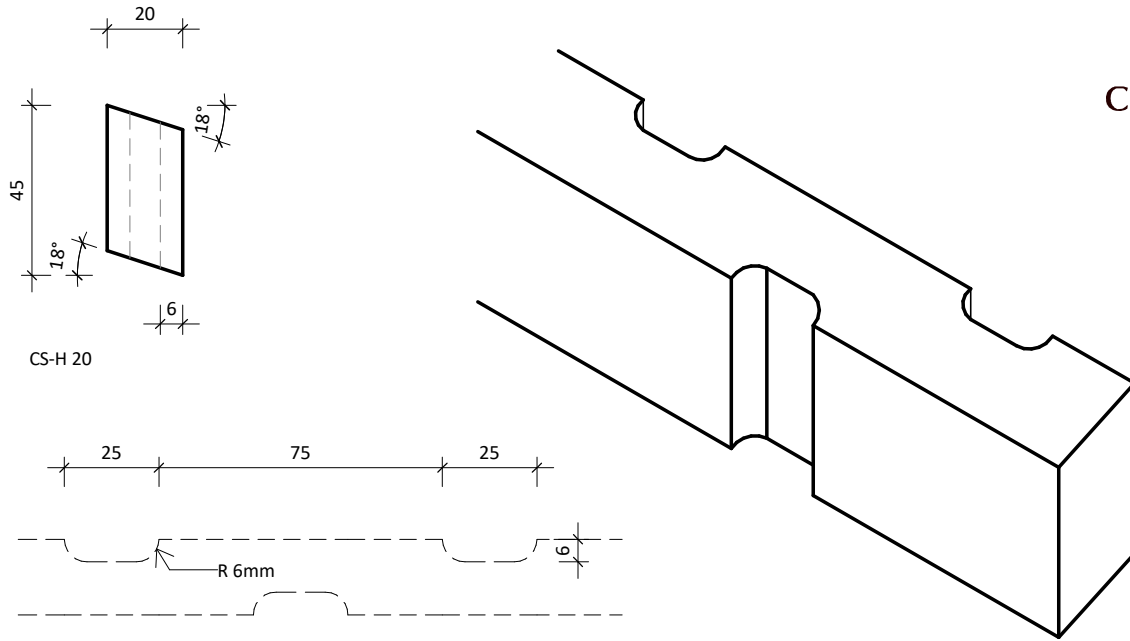
Title **Batten Setout**

Drawing

RKBB20-FU-REF

Scale 1 : 20 @ A4 Date 12.10.2020

1. Scope as per Clauses 1.0 and 9.4 E2/AS1
2. Profiles as per NZS 3617, Branz Bulletin 411 and/or compliance achieved through in-service history, length of service not less than 15 years in all NZ environments B2/VM1 1.1.1 (a)
3. Fixings as per Table 24 E2/AS1
4. Compatibility of materials as per Tables 20-22 E2/AS1
5. Flashing as per Clause 4.0 E2/AS1
6. Rigid and flexible underlay as per Table 23 and Clauses 9.1.5 to 9.1.7 E2/AS1 or proprietary approved alternative
7. All weatherboards to be factory oiled to all faces and weathergrooves prior to installation, ensure maintenance is to manufacturers recommendations
8. The weatherboard system relies on the joinery meeting the requirements of NZS 4211 for the relevant building windzone or wind pressure
9. Timber to NZBC B2 Durability B2.3.1(b), Western Red Cedar, Larch and Truwood®
10. Timber framing to NZS 3604:2011



CS-V 20

CS-V 20



www.rosenfeldkidson.co.nz

Postal address: PO Box 621,
Shortland Street, Auckland 1140

Auckland Branch:
T: +64 9 573 0503
F: +64 9 573 0504
513 Mt Wellington Highway
Mt Wellington, Auckland 1060

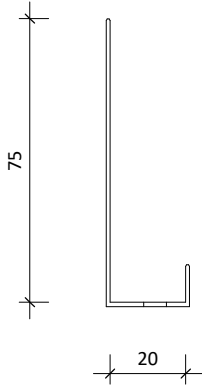
Christchurch Branch:
T: +64 3 349 3316
F: +64 3 349 3317
15 Edmonton Road
Hornby, Christchurch 8042

Title **RKBB 20mm Cavity Battens**

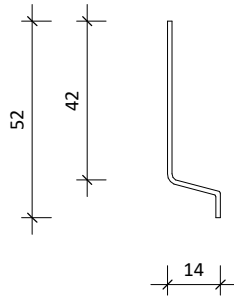
Drawing
RKBB20-BATT

Scale 1 : 2 @ A4 Date 12.10.2020

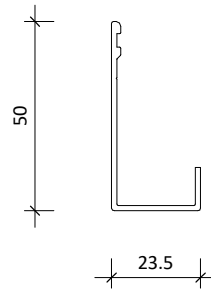
1. Scope as per Clauses 1.0 and 9.4 E2/AS1
2. Profiles as per NZS 3617, Branz Bulletin 411 and/or compliance achieved through in-service history, length of service not less than 15 years in all NZ environments B2/VM1 1.1.1 (a)
3. Fixings as per Table 24 E2/AS1
4. Compatibility of materials as per Tables 20-22 E2/AS1
5. Flashing as per Clause 4.0 E2/AS1
6. Rigid and flexible underlay as per Table 23 and Clauses 9.1.5 to 9.1.7 E2/AS1 or proprietary approved alternative
7. All weatherboards to be factory oiled to all faces and weathergrooves prior to installation, ensure maintenance is to manufacturers recommendations
8. The weatherboard system relies on the joinery meeting the requirements of NZS 4211 for the relevant building windzone or wind pressure
9. Timber to NZBC B2 Durability B2.3.1(b), Western Red Cedar, Larch and Truwood®
10. Timber framing to NZS 3604:2011



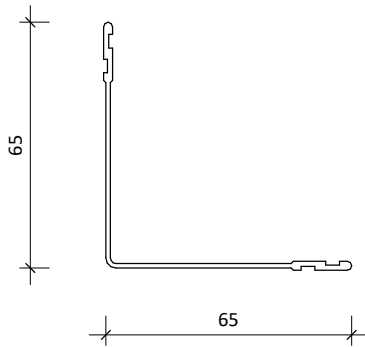
Cavity closer



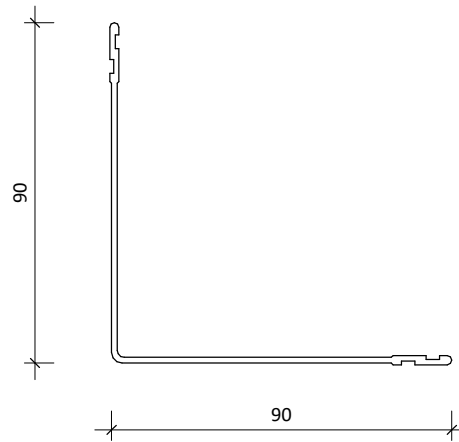
RKFL-12 42x14mm Cavity closer. Tack cavity closer @ 600mm crs



RKFL-11 optional powder coated aluminium soffit flashing.



RKFL-09 65x65mm internal/external corner back flashing



RKFL-10 90x90mm internal/external corner back flashing for extra high wind zones



www.rosenfeldkidson.co.nz

Postal address: PO Box 621,
Shortland Street, Auckland 1140

Auckland Branch:
T: +64 9 573 0503
F: +64 9 573 0504
513 Mt Wellington Highway
Mt Wellington, Auckland 1060

Christchurch Branch:
T: +64 3 349 3316
F: +64 3 349 3317
15 Edmonton Road
Hornby, Christchurch 8042

Title **RKBB Flashings**

Drawing

RKBB - FLG

Scale 1 : 2 @ A4

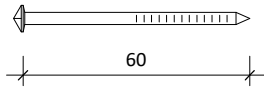
Date 12.10.2020

1. Scope as per Clauses 1.0 and 9.4 E2/AS1
2. Profiles as per NZS 3617, Branz Bulletin 411 and/or compliance achieved through in-service history, length of service not less than 15 years in all NZ environments B2/VM1 1.1.1 (a)
3. Fixings as per Table 24 E2/AS1
4. Compatibility of materials as per Tables 20-22 E2/AS1
5. Flashing as per Clause 4.0 E2/AS1
6. Rigid and flexible underlay as per Table 23 and Clauses 9.1.5 to 9.1.7 E2/AS1 or proprietary approved alternative
7. All weatherboards to be factory oiled to all faces and weathergrooves prior to installation, ensure maintenance is to manufacturers recommendations
8. The weatherboard system relies on the joinery meeting the requirements of NZS 4211 for the relevant building windzone or wind pressure
9. Timber to NZBC B2 Durability B2.3.1(b), Western Red Cedar, Larch and Truwood®
10. Timber framing to NZS 3604:2011

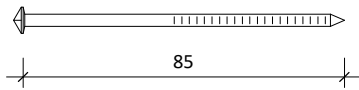


CODEMARK™
CM70080

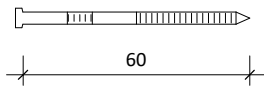
RK Cladding Fixings



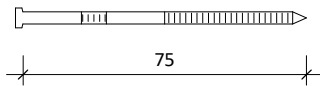
60 x 3.15mm
(For fixing weatherboard into structural battens only)



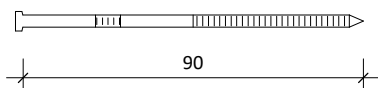
Flexible underlay 75 x 3.15mm



Cavity fixed 60 x 3.15mm Stainless steel nail
Jolthead nail for paint finish weatherboards.

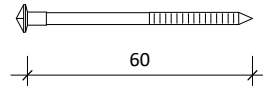


Cavity fixed 75 x 3.15mm Stainless steel nail
Jolthead nail for paint finish weatherboards.

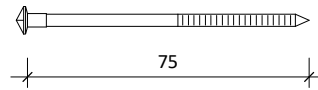


Cavity fixed 90 x 3.15mm Stainless steel nail
Jolthead nail for paint finish weatherboards.

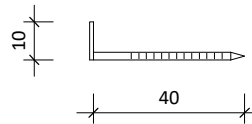
RK Plug Nail Range



Cedarscreen Plug Nail 60 x 3.15mm



Cedarscreen Plug Nail 75 x 3.15mm



Clinch Nail 40 x 2mm

Options:

- Silicon bronze annular grooved
- Stainless steel 316 grade annular grooved
- All fixings to be annular groove



www.rosenfeldkidson.co.nz

Postal address: PO Box 621,
Shortland Street, Auckland 1140

Auckland Branch:

T: +64 9 573 0503
F: +64 9 573 0504
513 Mt Wellington Highway
Mt Wellington, Auckland 1060

Christchurch Branch:

T: +64 3 349 3316
F: +64 3 349 3317
15 Edmonton Road
Hornby, Christchurch 8042

Title **RK Fixings**

Drawing

RKBB-FIXINGS

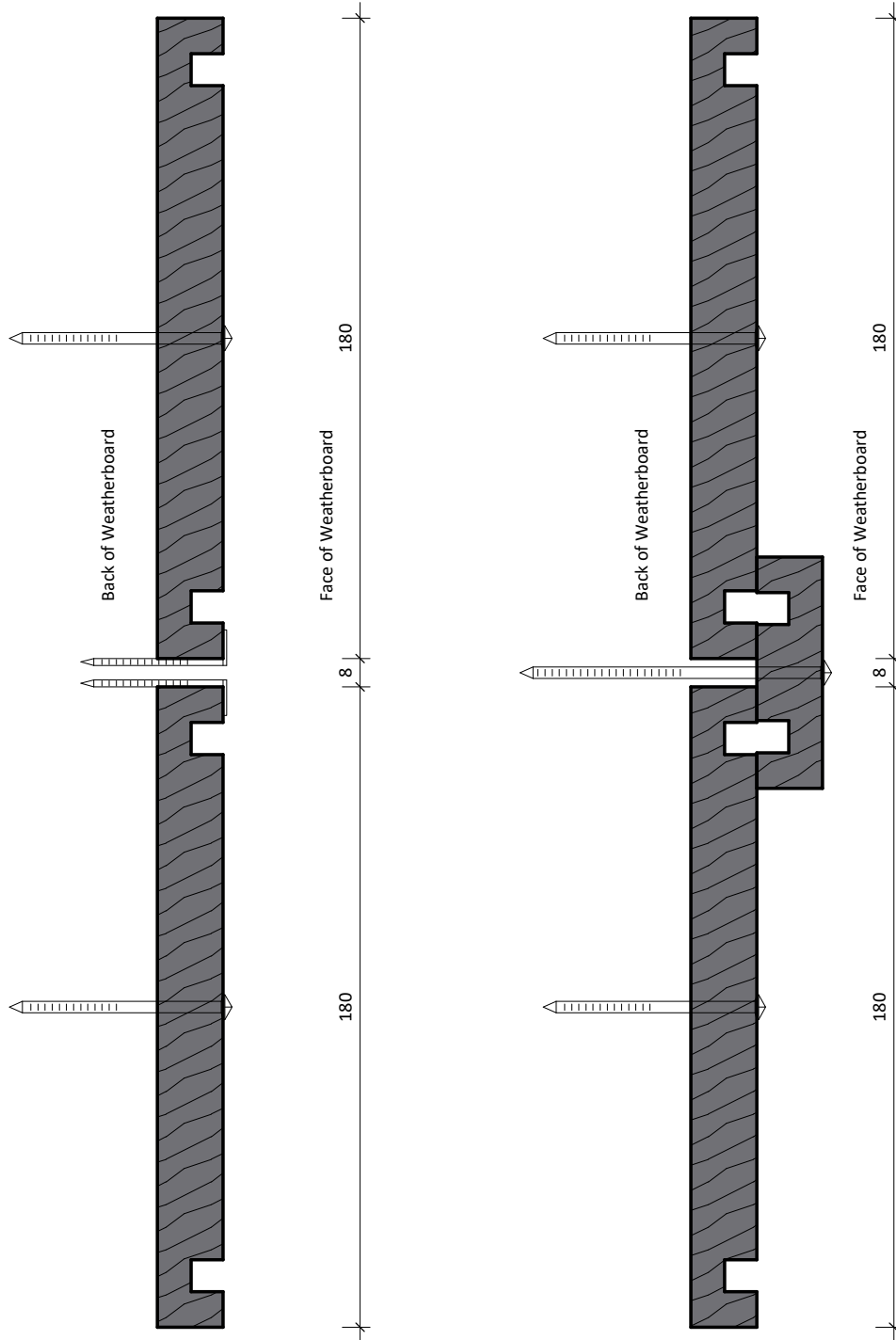
Scale 1 : 2 @ A4

Date 12.10.2020

1. Scope as per Clauses 1.0 and 9.4 E2/AS1
2. Profiles as per NZS 3617, Branz Bulletin 411 and/or compliance achieved through in-service history, length of service not less than 15 years in all NZ environments B2/VM1 1.1.1 (a)
3. Fixings as per Table 24 E2/AS1
4. Compatibility of materials as per Tables 20-22 E2/AS1
5. Flashing as per Clause 4.0 E2/AS1
6. Rigid and flexible underlay as per Table 23 and Clauses 9.1.5 to 9.1.7 E2/AS1 or proprietary approved alternative
7. All weatherboards to be factory oiled to all faces and weathergrooves prior to installation, ensure maintenance is to manufacturers recommendations
8. The weatherboard system relies on the joinery meeting the requirements of NZS 4211 for the relevant building windzone or wind pressure
9. Timber to NZBC B2 Durability B2.3.1(b), Western Red Cedar, Larch and Truwood®
10. Timber framing to NZS 3604:2011



CODEMARK
CM70080



www.rosenfeldkidson.co.nz

Postal address: PO Box 621,
Shortland Street, Auckland 1140

Auckland Branch:
T: +64 9 573 0503
F: +64 9 573 0504
513 Mt Wellington Highway
Mt Wellington, Auckland 1060

Christchurch Branch:
T: +64 3 349 3316
F: +64 3 349 3317
15 Edmonton Road
Hornby, Christchurch 8042

Title **Board Setout**

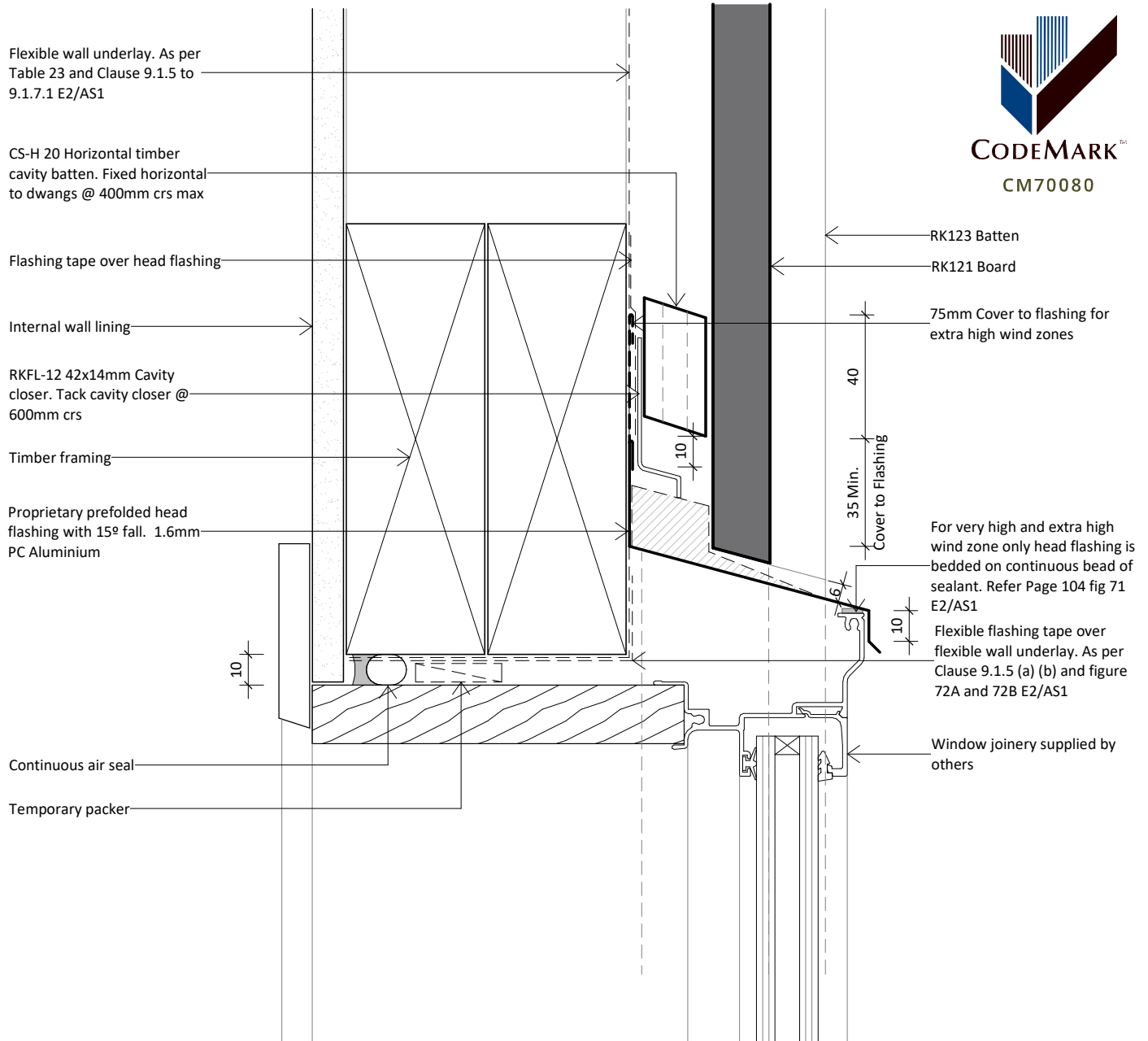
Drawing

RKA121-123

Scale 1 : 2 @ A4

Date 12.10.2020

1. Scope as per Clauses 1.0 and 9.4 E2/AS1
2. Profiles as per NZS 3617, Branz Bulletin 411 and/or compliance achieved through in-service history, length of service not less than 15 years in all NZ environments B2/VM1 1.1.1 (a)
3. Fixings as per Table 24 E2/AS1
4. Compatibility of materials as per Tables 20-22 E2/AS1
5. Flashing as per Clause 4.0 E2/AS1
6. Rigid and flexible underlay as per Table 23 and Clauses 9.1.5 to 9.1.7 E2/AS1 or proprietary approved alternative
7. All weatherboards to be factory oiled to all faces and weathergrooves prior to installation, ensure maintenance is to manufacturers recommendations
8. The weatherboard system relies on the joinery meeting the requirements of NZS 4211 for the relevant building windzone or wind pressure
9. Timber to NZBC B2 Durability B2.3.1(b), Western Red Cedar, Larch and Truwood®
10. Timber framing to NZS 3604:2011



www.rosenfeldkidson.co.nz

Postal address: PO Box 621,
Shortland Street, Auckland 1140

Auckland Branch:
T: +64 9 573 0503
F: +64 9 573 0504
513 Mt Wellington Highway
Mt Wellington, Auckland 1060

Christchurch Branch:
T: +64 3 349 3316
F: +64 3 349 3317
15 Edmonton Road
Hornby, Christchurch 8042

Title **Aluminium Head Detail**

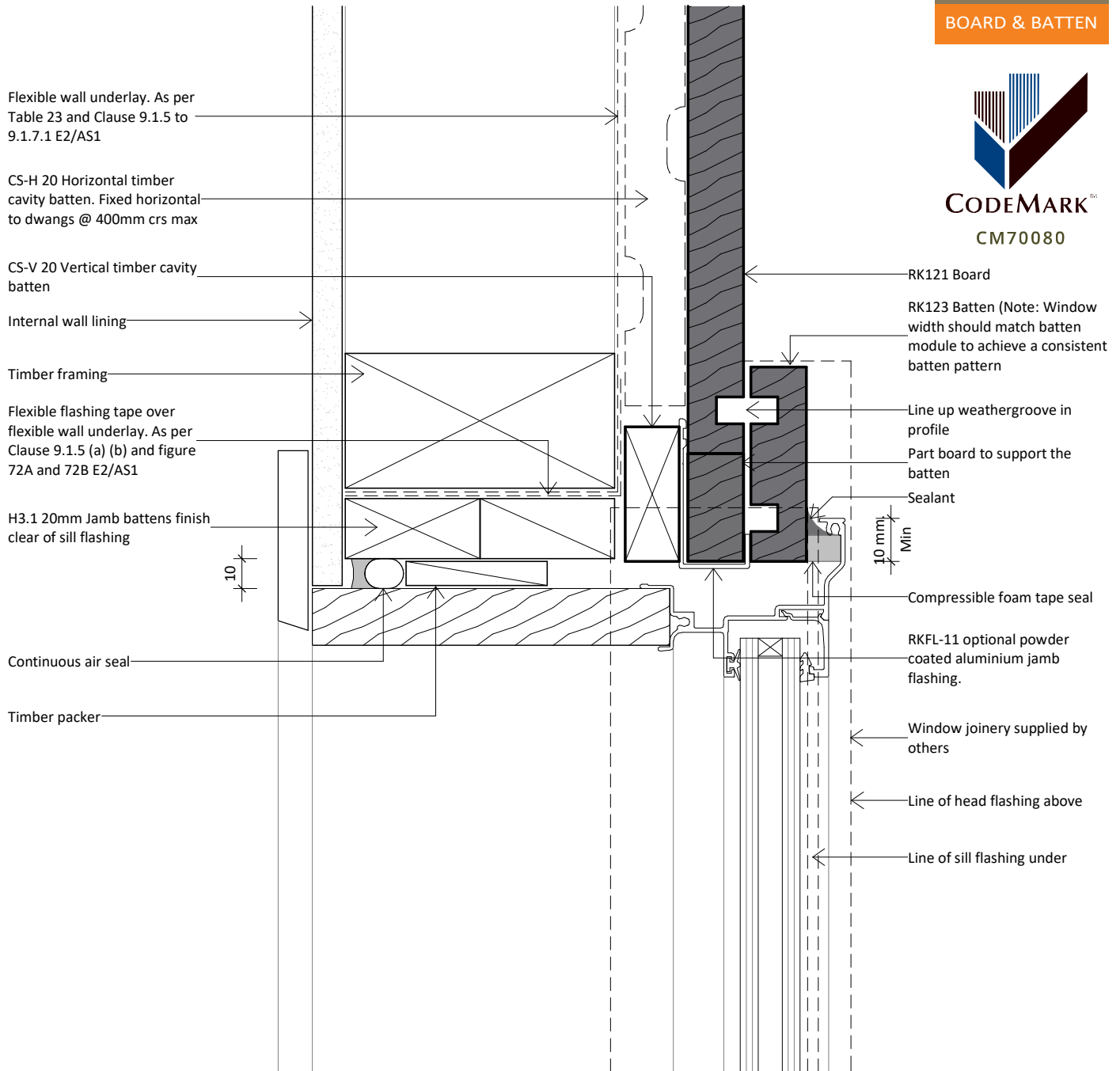
Drawing

RKBB20-FU-01

Scale 1 : 2 @ A4

Date 12.10.2020

1. Scope as per Clauses 1.0 and 9.4 E2/AS1
2. Profiles as per NZS 3617, Branz Bulletin 411 and/or compliance achieved through in-service history, length of service not less than 15 years in all NZ environments B2/VM1 1.1.1 (a)
3. Fixings as per Table 24 E2/AS1
4. Compatibility of materials as per Tables 20-22 E2/AS1
5. Flashing as per Clause 4.0 E2/AS1
6. Rigid and flexible underlay as per Table 23 and Clauses 9.1.5 to 9.1.7 E2/AS1 or proprietary approved alternative
7. All weatherboards to be factory oiled to all faces and weathergrooves prior to installation, ensure maintenance is to manufacturers recommendations
8. The weatherboard system relies on the joinery meeting the requirements of NZS 4211 for the relevant building windzone or wind pressure
9. Timber to NZBC B2 Durability B2.3.1(b), Western Red Cedar, Larch and Truwood®
10. Timber framing to NZS 3604:2011



www.rosenfeldkidson.co.nz

Postal address: PO Box 621,
Shortland Street, Auckland 1140

Auckland Branch:
T: +64 9 573 0503
F: +64 9 573 0504
513 Mt Wellington Highway
Mt Wellington, Auckland 1060

Christchurch Branch:
T: +64 3 349 3316
F: +64 3 349 3317
15 Edmonton Road
Hornby, Christchurch 8042

Title **Aluminium Jamb Detail**

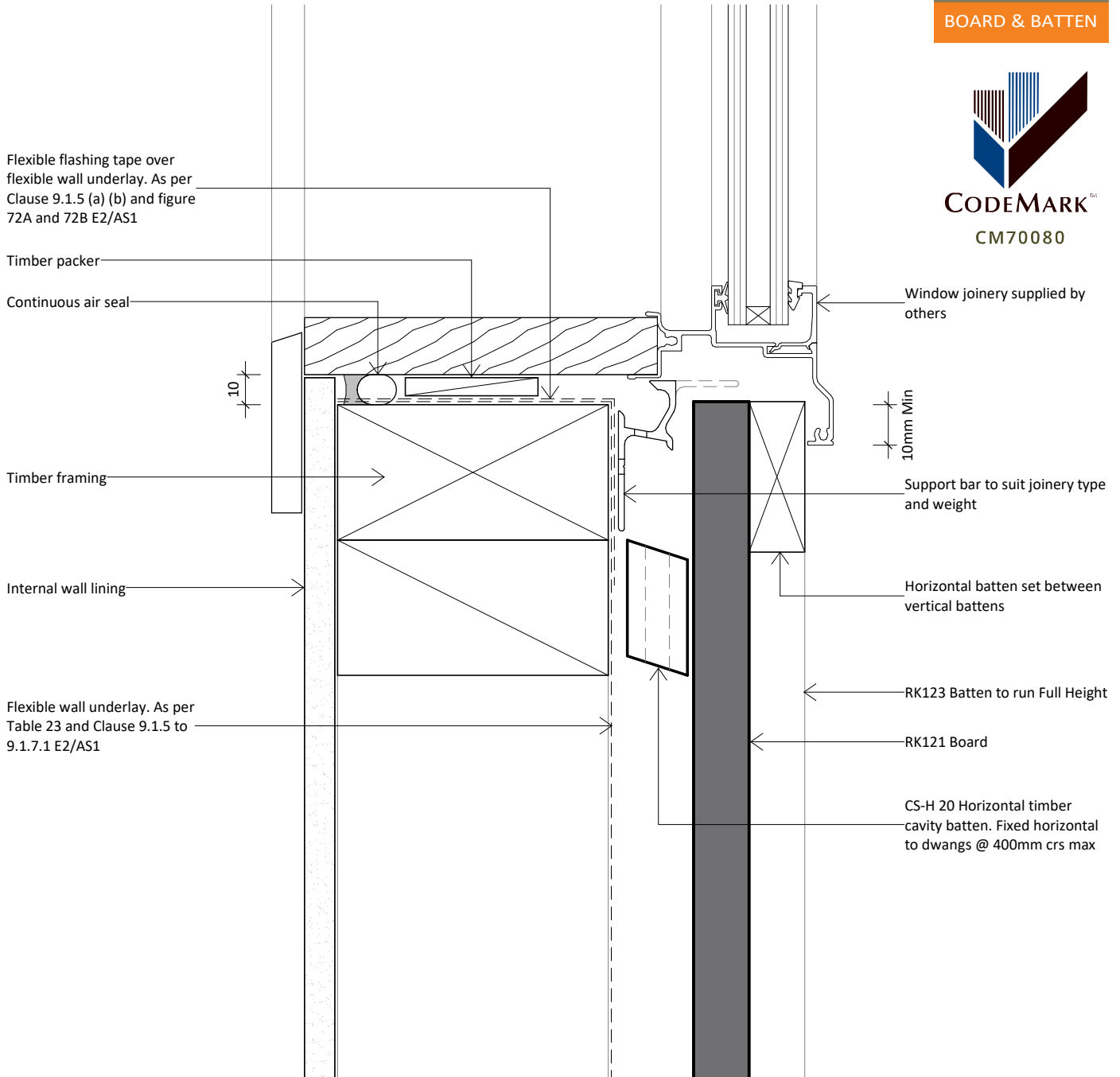
Drawing

RKBB20-FU-02

Scale 1 : 2 @ A4

Date 12.10.2020

1. Scope as per Clauses 1.0 and 9.4 E2/AS1
2. Profiles as per NZS 3617, Branz Bulletin 411 and/or compliance achieved through in-service history, length of service not less than 15 years in all NZ environments B2/VM1 1.1.1 (a)
3. Fixings as per Table 24 E2/AS1
4. Compatibility of materials as per Tables 20-22 E2/AS1
5. Flashing as per Clause 4.0 E2/AS1
6. Rigid and flexible underlay as per Table 23 and Clauses 9.1.5 to 9.1.7 E2/AS1 or proprietary approved alternative
7. All weatherboards to be factory oiled to all faces and weathergrooves prior to installation, ensure maintenance is to manufacturers recommendations
8. The weatherboard system relies on the joinery meeting the requirements of NZS 4211 for the relevant building windzone or wind pressure
9. Timber to NZBC B2 Durability B2.3.1(b), Western Red Cedar, Larch and Truwood®
10. Timber framing to NZS 3604:2011



www.rosenfeldkidson.co.nz

Postal address: PO Box 621,
Shortland Street, Auckland 1140

Auckland Branch:
T: +64 9 573 0503
F: +64 9 573 0504
513 Mt Wellington Highway
Mt Wellington, Auckland 1060

Christchurch Branch:
T: +64 3 349 3316
F: +64 3 349 3317
15 Edmonton Road
Hornby, Christchurch 8042

Title **Aluminium Sill Detail**

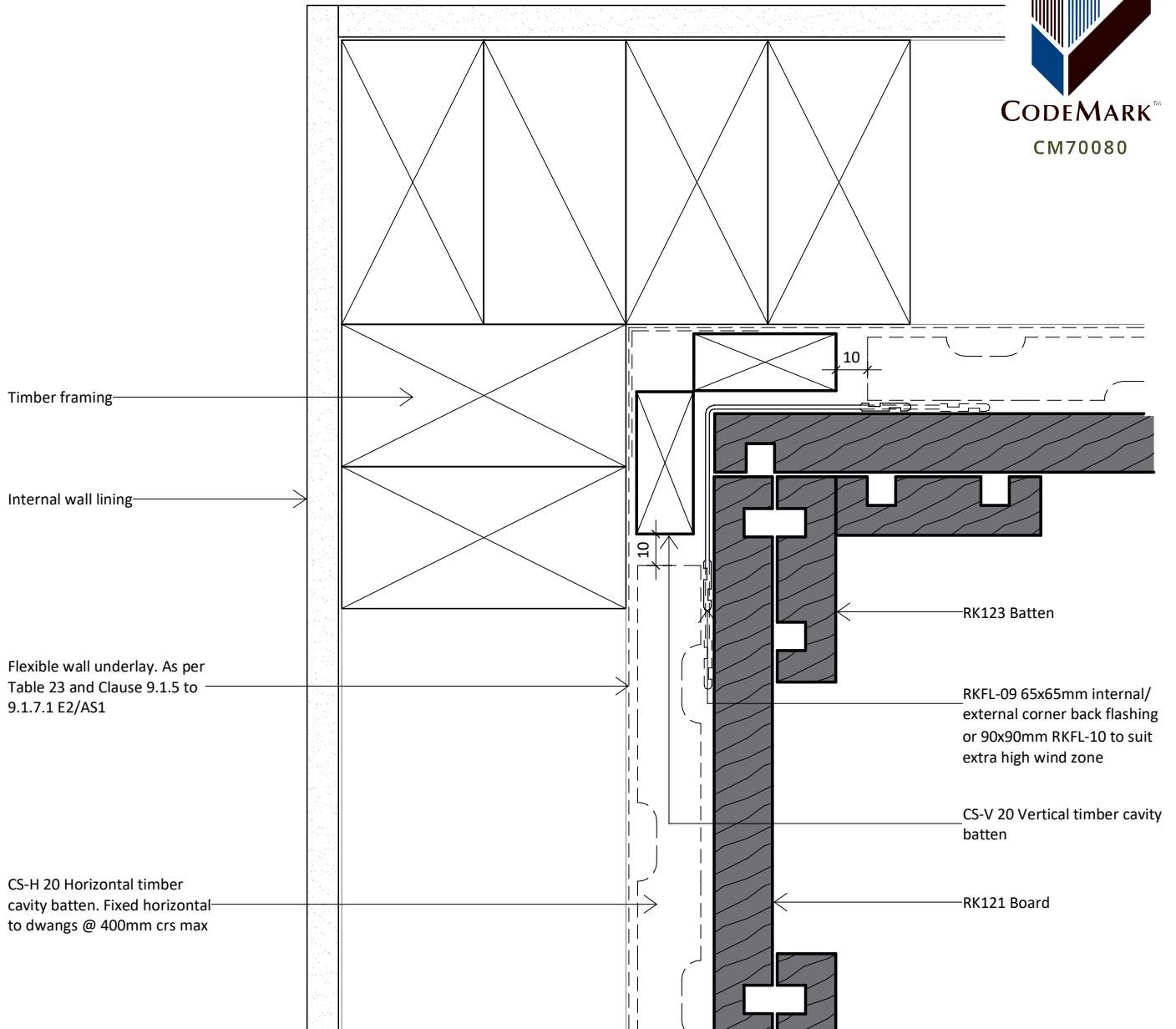
Drawing

RKBB20-FU-03

Scale 1 : 2 @ A4

Date 12.10.2020

1. Scope as per Clauses 1.0 and 9.4 E2/AS1
2. Profiles as per NZS 3617, Branz Bulletin 411 and/or compliance achieved through in-service history, length of service not less than 15 years in all NZ environments B2/VM1 1.1.1 (a)
3. Fixings as per Table 24 E2/AS1
4. Compatibility of materials as per Tables 20-22 E2/AS1
5. Flashing as per Clause 4.0 E2/AS1
6. Rigid and flexible underlay as per Table 23 and Clauses 9.1.5 to 9.1.7 E2/AS1 or proprietary approved alternative
7. All weatherboards to be factory oiled to all faces and weathergrooves prior to installation, ensure maintenance is to manufacturers recommendations
8. The weatherboard system relies on the joinery meeting the requirements of NZS 4211 for the relevant building windzone or wind pressure
9. Timber to NZBC B2 Durability B2.3.1(b), Western Red Cedar, Larch and Truwood®
10. Timber framing to NZS 3604:2011



www.rosenfeldkidson.co.nz

Postal address: PO Box 621,
Shortland Street, Auckland 1140

Auckland Branch:
T: +64 9 573 0503
F: +64 9 573 0504
513 Mt Wellington Highway
Mt Wellington, Auckland 1060

Christchurch Branch:
T: +64 3 349 3316
F: +64 3 349 3317
15 Edmonton Road
Hornby, Christchurch 8042

Title **Internal Corner Detail**

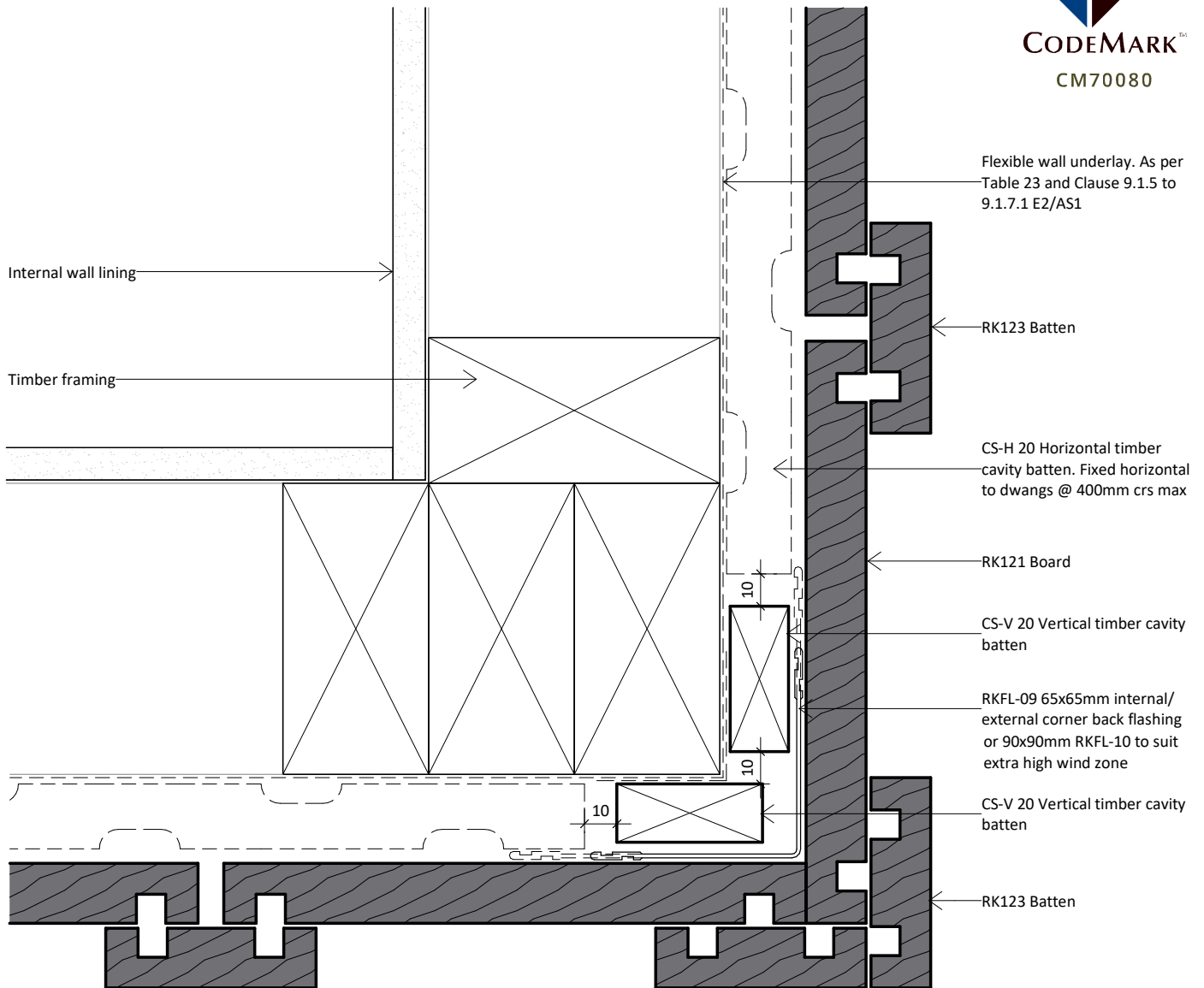
Drawing

RKBB20-FU-12

Scale 1 : 2 @ A4

Date 12.10.2020

1. Scope as per Clauses 1.0 and 9.4 E2/AS1
2. Profiles as per NZS 3617, Branz Bulletin 411 and/or compliance achieved through in-service history, length of service not less than 15 years in all NZ environments B2/VM1 1.1.1 (a)
3. Fixings as per Table 24 E2/AS1
4. Compatibility of materials as per Tables 20-22 E2/AS1
5. Flashing as per Clause 4.0 E2/AS1
6. Rigid and flexible underlay as per Table 23 and Clauses 9.1.5 to 9.1.7 E2/AS1 or proprietary approved alternative
7. All weatherboards to be factory oiled to all faces and weathergrooves prior to installation, ensure maintenance is to manufacturers recommendations
8. The weatherboard system relies on the joinery meeting the requirements of NZS 4211 for the relevant building windzone or wind pressure
9. Timber to NZBC B2 Durability B2.3.1(b), Western Red Cedar, Larch and Truwood®
10. Timber framing to NZS 3604:2011



www.rosenfeldkidson.co.nz

Postal address: PO Box 621,
Shortland Street, Auckland 1140

Auckland Branch:
T: +64 9 573 0503
F: +64 9 573 0504
513 Mt Wellington Highway
Mt Wellington, Auckland 1060

Christchurch Branch:
T: +64 3 349 3316
F: +64 3 349 3317
15 Edmonton Road
Hornby, Christchurch 8042

Title **External Corner Detail**

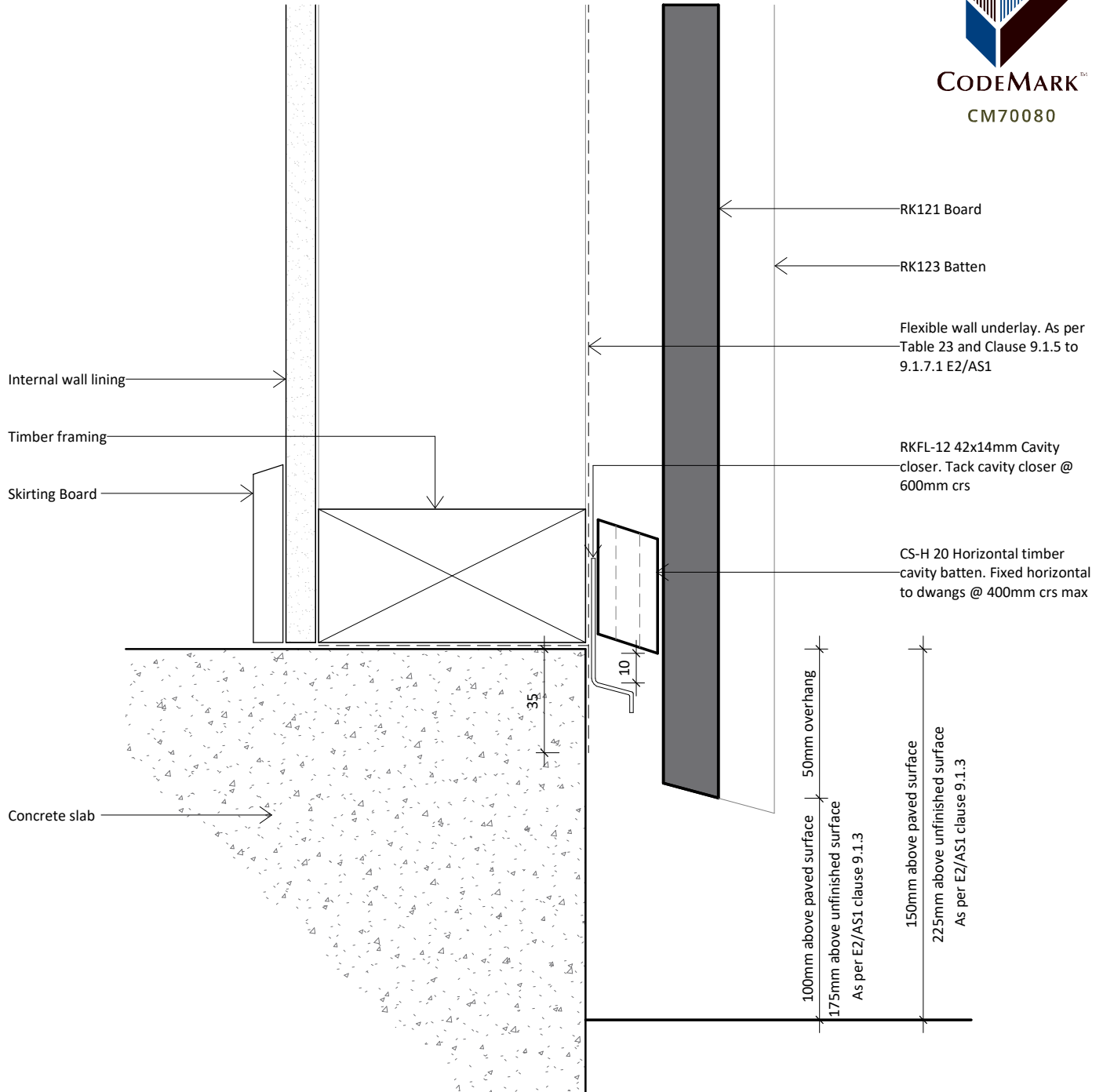
Drawing

RKBB20-FU-22

Scale 1 : 2 @ A4

Date 12.10.2020

1. Scope as per Clauses 1.0 and 9.4 E2/AS1
2. Profiles as per NZS 3617, Branz Bulletin 411 and/or compliance achieved through in-service history, length of service not less than 15 years in all NZ environments B2/VM1 1.1.1 (a)
3. Fixings as per Table 24 E2/AS1
4. Compatibility of materials as per Tables 20-22 E2/AS1
5. Flashing as per Clause 4.0 E2/AS1
6. Rigid and flexible underlay as per Table 23 and Clauses 9.1.5 to 9.1.7 E2/AS1 or proprietary approved alternative
7. All weatherboards to be factory oiled to all faces and weathergrooves prior to installation, ensure maintenance is to manufacturers recommendations
8. The weatherboard system relies on the joinery meeting the requirements of NZS 4211 for the relevant building windzone or wind pressure
9. Timber to NZBC B2 Durability B2.3.1(b), Western Red Cedar, Larch and Truwood®
10. Timber framing to NZS 3604:2011



www.rosenfeldkidson.co.nz

Postal address: PO Box 621,
Shortland Street, Auckland 1140

Auckland Branch:
T: +64 9 573 0503
F: +64 9 573 0504
513 Mt Wellington Highway
Mt Wellington, Auckland 1060

Christchurch Branch:
T: +64 3 349 3316
F: +64 3 349 3317
15 Edmonton Road
Hornby, Christchurch 8042

Title **Bottom Plate Detail**

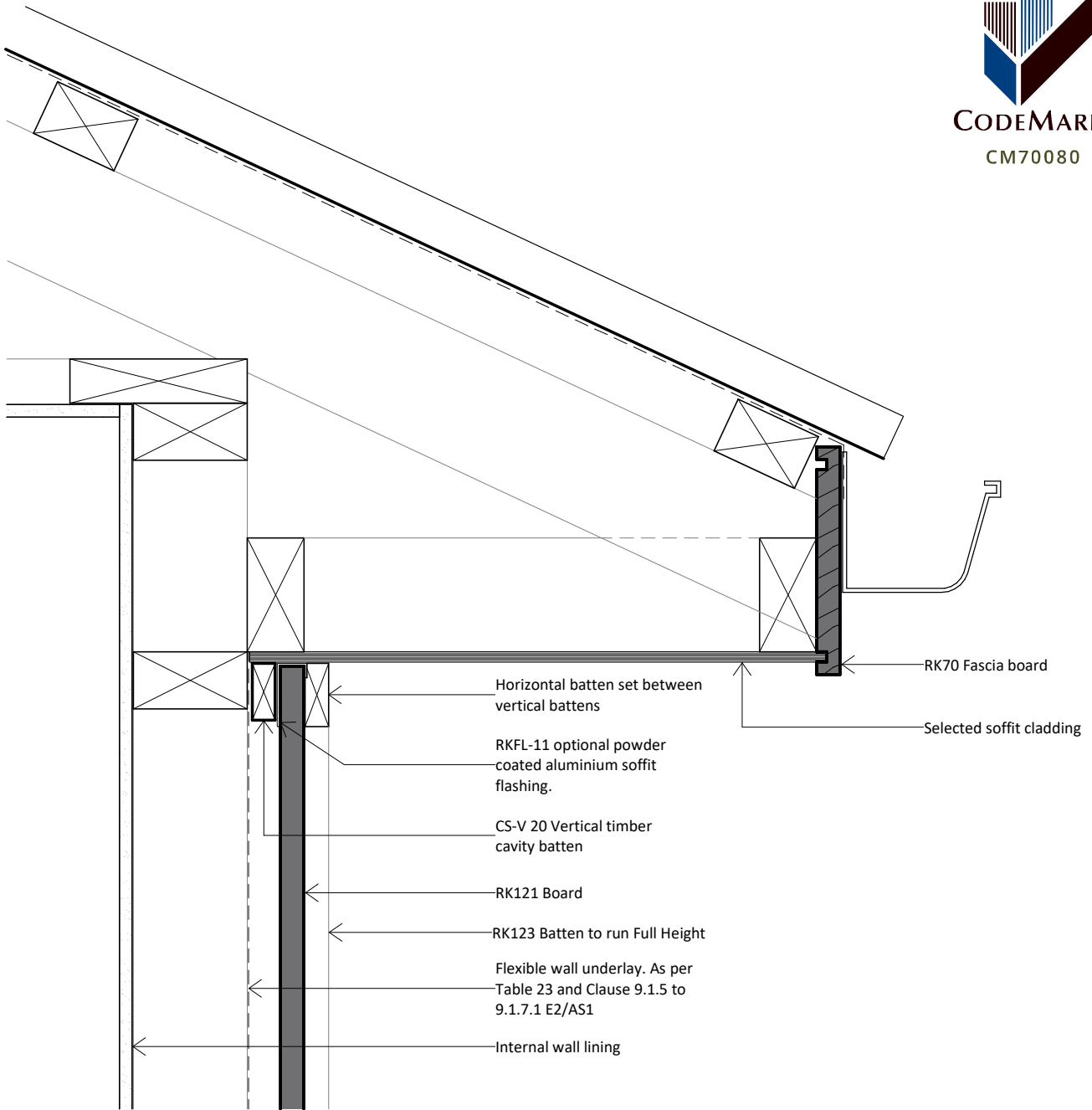
Drawing

RKBB20-FU-41

Scale 1 : 2 @ A4

Date 12.10.2020

1. Scope as per Clauses 1.0 and 9.4 E2/AS1
2. Profiles as per NZS 3617, Branz Bulletin 411 and/or compliance achieved through in-service history, length of service not less than 15 years in all NZ environments B2/VM1 1.1.1 (a)
3. Fixings as per Table 24 E2/AS1
4. Compatibility of materials as per Tables 20-22 E2/AS1
5. Flashing as per Clause 4.0 E2/AS1
6. Rigid and flexible underlay as per Table 23 and Clauses 9.1.5 to 9.1.7 E2/AS1 or proprietary approved alternative
7. All weatherboards to be factory oiled to all faces and weathergrooves prior to installation, ensure maintenance is to manufacturers recommendations
8. The weatherboard system relies on the joinery meeting the requirements of NZS 4211 for the relevant building windzone or wind pressure
9. Timber to NZBC B2 Durability B2.3.1(b), Western Red Cedar, Larch and Truwood®
10. Timber framing to NZS 3604:2011



www.rosenfeldkidson.co.nz

Postal address: PO Box 621,
Shortland Street, Auckland 1140

Auckland Branch:
T: +64 9 573 0503
F: +64 9 573 0504
513 Mt Wellington Highway
Mt Wellington, Auckland 1060

Christchurch Branch:
T: +64 3 349 3316
F: +64 3 349 3317
15 Edmonton Road
Hornby, Christchurch 8042

Title **Barge Detail**

Drawing

RKBB20-FU-43

Scale 1 : 5 @ A4

Date 12.10.2020